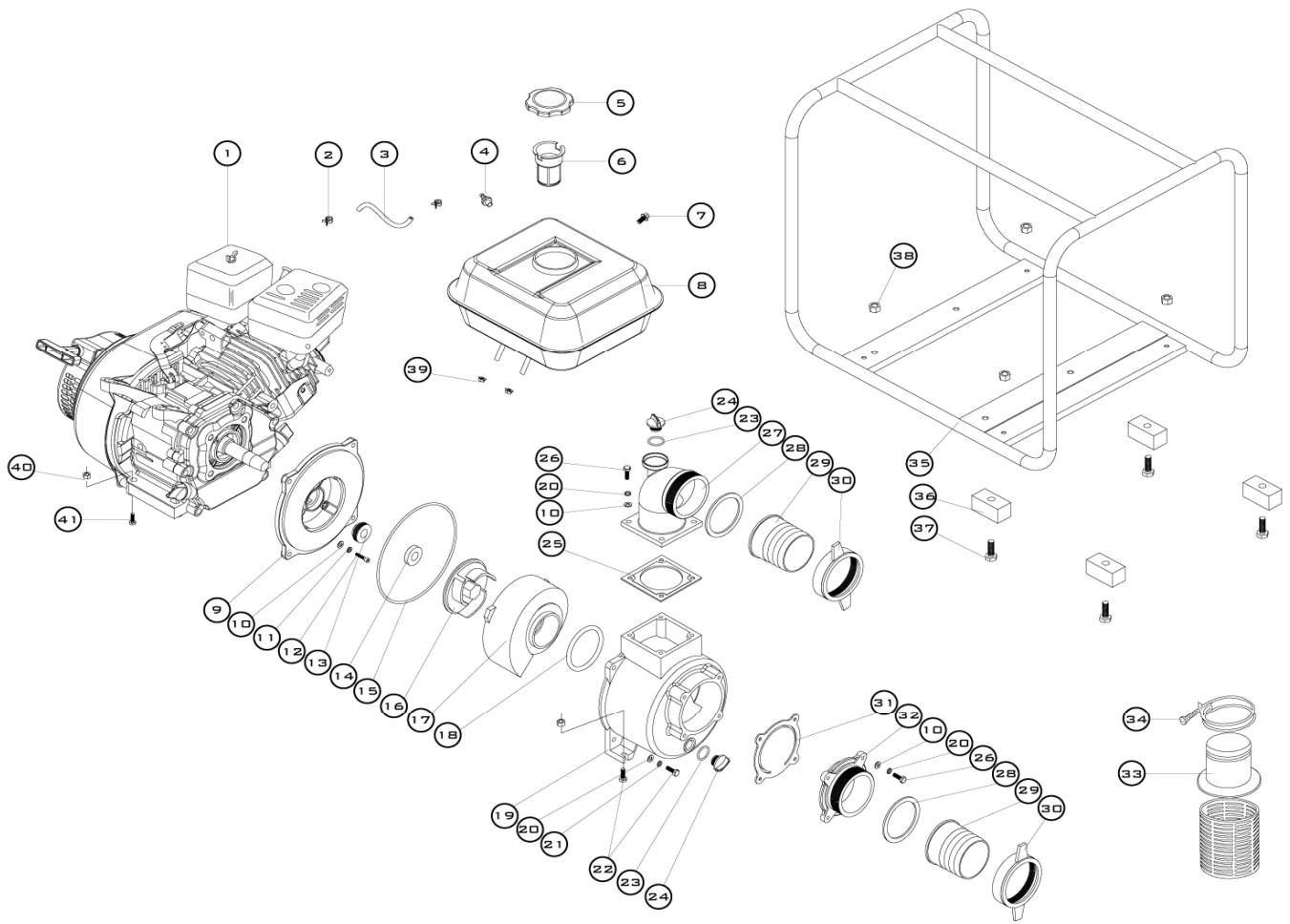


GP100水泵机组配置表

GP100



No.	CODE	DESCRIPTION	QTY.
1	2EP270	UP177 gasoline engine	1
2	3B0111007	Pipe clamp	2
3	3B0111007	Fuel pipe	1
4	3A2006400	Connector	1
5	3S22080251	Fuel tank cup	1
6	3A2006007	Filter cup	1
7	3S22060251	flange bolt M6X25	1
8	3A3006009	Fuel tank	1
9	3G3010001	Pump cover	1
10	3S35081	washerφ8	4
11	3G4050004	rubber washer	4
12	3S24080453	flange bolt M8x45	4
13	3G3010002	Mechanical seal	1
14	3G3010006	porcelain seal	1
15	3G3010003	O ring	1
16	3G3010007	water pump impeller	1
17	3G3010008	volute casing	1
18	3G3010009	rubber bushing	1
19	3G3010010	housing of pump	1
20	3S35101	washer φ10	12
21	3S31102	spring washer φ10	12
22	3S22100301	flange bolt M10X30	6
23	3G3040013A	O ring	2
24	3G3010013	plug packing	2
25	3G3010014	rubber washer	1
26	3S22100251	flange bolt M10X25	8
27	3G3010015	outlet flange	1
28	3G3010020	rubber washer	2

GP100水泵机组配置表

29	3G3010021	pipe joint	2
30	3G3050022	joint grip	2
31	3G3010011	check valve	1
32	3G3010012	inlet flange	1
33	3G3010024	filter net	1
34	3G3010023	Rear housing	3
35	3JGP1000	frame	1
36	3G20011	shock absorber	4
37	3S210802051	flange bolt M8X25	4
38	3S12081	flange nut M8	8
39	3S12061	flange nut M6	2
40	3S13101	flange nut M10	2
41	3S22100351	flange bolt M10X35	2