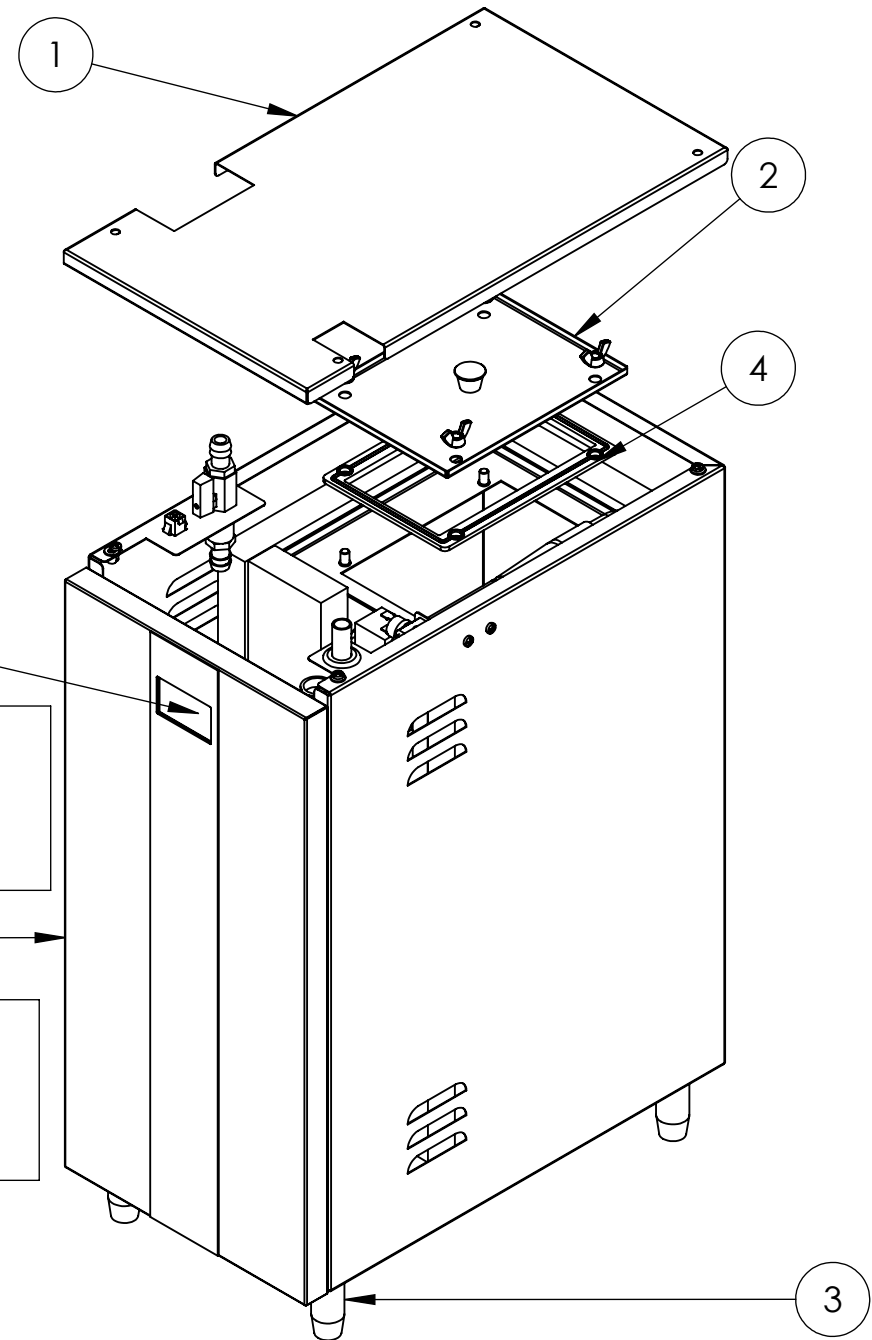


ITEM NO.	PART NUMBER	DESCRIPTION	QTY.
1	2300388	LID 1000741 1000742 1000751 1000752	1
2	2300384	Lid Inner Ecoboiler	1
3	1700310	Leg 50mm Nylon 22mm Diameter	4
4	1800306	GASKET INNER ECOBOILER	1
5	1600357K	PCB 357 Spares kit	1
6	1801811	Service Panel 1000751 1000752	1



*NOTE :
ON MACHINES 1000741 AND 1000742 USE PCB:
p/n: 1600349 PCB Display Ecoboiler 10L

**NOTE :
ON MACHINES 1000741 AND 1000742 USE :
1801810 Service Panel 1000741 1000742

DESCRIPTION:	External exploded 1000741 1000742 1000751 1000752	DRAWN BY	FMc	17-08-11
DWG NO.:	UC10-020A	APPROVED BY	NMc	17-08-11
MATERIAL:	N/A	REVISION	a	CO: 575
				SCALE:1:5