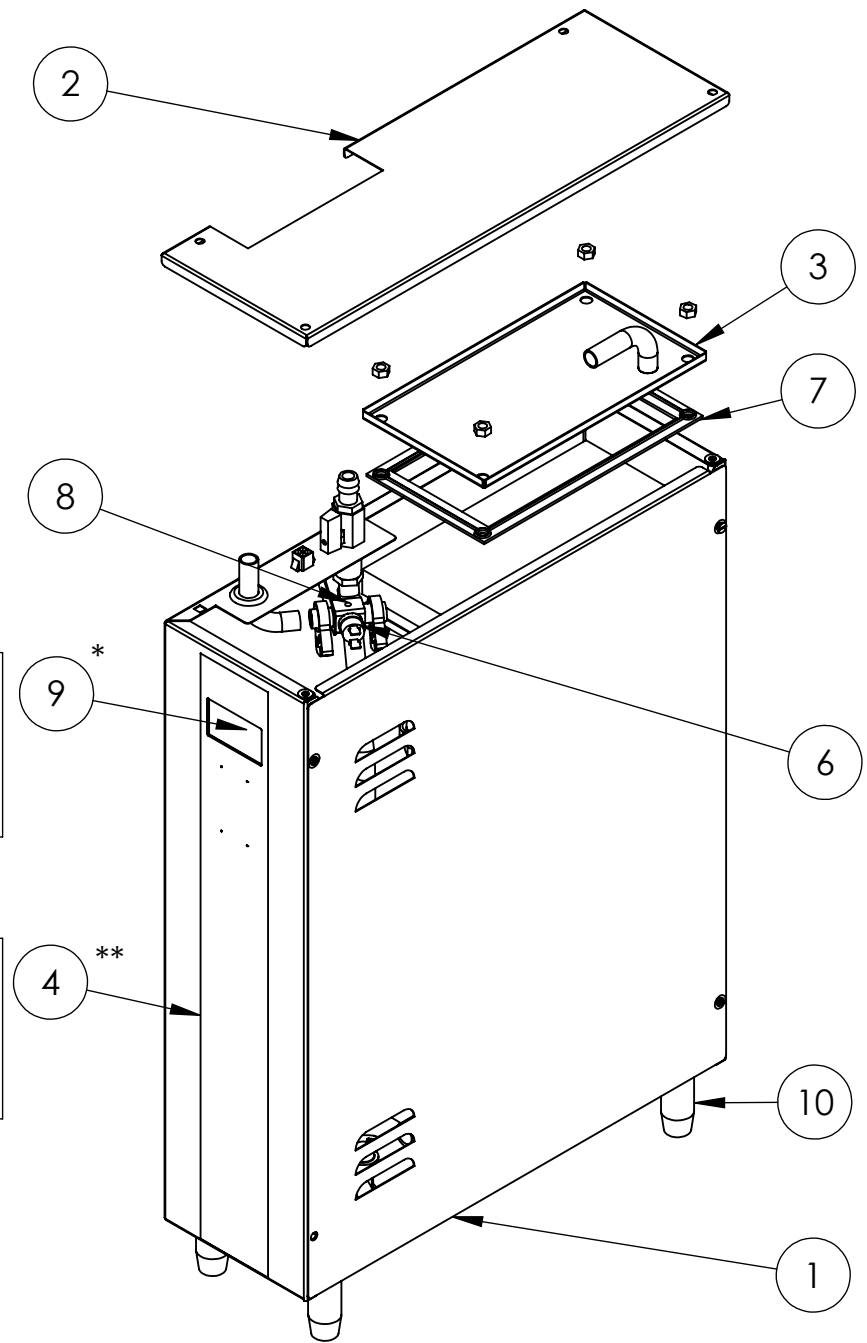


ITEM NO.	PART NUMBER	DESCRIPTION	Default/ QTY.
1	2300394	Service Panel 1000740 1000750	1
2	2300393	LID OUTER 1000740 1000750	1
3	2300389	LID INNER 1000740 1000750	1
4	1900673	Label UC Ecosmart 4-10L	1
5	1400611	Connector mini fit 4 way socket	1
6	1502088	Thermal Switch 90deg, M4 Stud Mount	1
7	1800314	Gasket inner UC4	1
8	1502089	Thermal Switch Mount Brass	1
9	1600357K	PCB 357 Spares kit	1
10	1700310	Leg 50mm Nylon 22mm Diameter	4



\*NOTE :  
ON MACHINES 1000740 USE PCB:  
p/n: 1600349 PCB Display Ecoboiler 10L

\*\*NOTE :  
ON MACHINES 1000740 USE LABEL:  
p/n: 1900674 Label UC Ecoboiler 4-10L



UNLESS OTHERWISE SPECIFIED: DIMENSIONS ARE IN MILLIMETERS  
TOLERANCES: LINEAR: +/-0.2mm

DESCRIPTION: EXPLODED INTERNAL 1000740 1000750

DWG NO.: UC04-020A

MATERIAL: N/A

DRAWN BY: FMcA

APPROVED BY: JJ

REVISION: A

18-08-11

18-08-11

CO:

575

SCALE:1:5