



Oil Burner Controls

LAE1...

Series 02

supplementary Data Sheet 7713

Oil burner controls for use with burners of any capacity in intermittent operation. For safety reasons, at least one controlled shutdown must take place every 24 hours.

The LAE1... and this Data Sheet are intended for use by OEMs which integrate the burner controls in their products.

Use

The LAE1... with the associated flame detector RAR7 or RAR8 is used for the fully automatic startup and supervision of

- single-stage forced draft burners
- multistage forced draft burners
- modulating forced draft burners
- with any oil throughput

The LAE1... oil burner controls are tested and certified to EN 230.

The design, control sequence and setting choices offered by the LAE1... enable this burner control to be used in almost any type and size of oil-fired combustion plant.

Specific features

- Prepurge time adjustable between 8 and 63 seconds
- Operation with or without postpurge (optional)
- Fully automatic control of air damper, if required (with any actuator running time)
- Possibility of air check, in connection with a functional check of the air pressure switch prior to startup
- Ignition (optional, either directly or with pilot burner)
- Preignition time adjustable («long» - during prepurge, «short» - 3 seconds)
- Safety time adjustable between 0 and 9 seconds
- Operation without or with one-time start repetition in the event of loss of flame during operation
- Automatic extraneous light test during burner off periods and during the pre- and postpurge time
- Integrated lockout warning lamp
- Electric remote reset
- Cover with 2 additional sealing screws to ensure protection against tampering (refer to «Dimensions»)

Warning notes



To avoid injury persons, damage to property or the environment, the following warning notes should be observed!

The unit may only be opened, interfered with or modified by qualified staff!

- Before performing any wiring changes in the connection area of the LAE1..., completely isolate the unit from the mains supply (all-polar disconnection)
- Ensure protection against electric shock hazard by providing adequate protection for the burner control's connection terminals
- Check wiring and all safety functions prior to commissioning and each time a fuse has been replaced
- Press the lockout reset button only manually, without using any tools or pointed objects
- Fall or shock can adversely affect the safety functions. Such unit may not be put into operation, even if they do not exhibit any damage
- Do not press the lockout reset button on the unit or the remote lockout reset button for more than 10 seconds since this would damage the lockout relay in the unit

Mounting notes

- Ensure that the relevant national safety regulations are complied with
- Mount and adjust the flame detector such that it can detect the flame

Installation notes

- Installation work must be carried out by qualified staff
- Live and neutral conductors may not be mixed up
- For the connection of valves and other plant components, use the plant diagram and the mounting and commissioning instructions provided by the burner manufacturer
- In the event of loss of flame during operation, the burner control will initiate lockout. If start repetition is required, changeover latch «UL3» must be set to «Repetition»

Electrical connection of flame detectors

It is important to achieve practically disturbance- and loss-free signal transmission:

- Never run the detector cable together with other cables
 - Line capacitance reduces the magnitude of the flame signal
 - Use a separate cable
- Observe the maximum permissible detector cable lengths (refer to «Technical data»)

Commissioning notes

- Commissioning and maintenance work must be carried out by qualified staff
- When commissioning the plant or when doing maintenance work, make the following safety checks:

| | Safety check to be carried out | Anticipated response |
|----|---|--|
| a) | Burner start with flame detector darkened | Lockout at the end of «TSA» |
| b) | Burner start with flame detector exposed to extraneous light | Lockout after no more than 40 seconds |
| c) | Burner operation with simulated loss of flame; for that purpose, darken the flame detector in operation and maintain that state | <ul style="list-style-type: none">- With repetition: Restart followed by lockout at the end of «TSA»- Without repetition: Immediate lockout |

Norms and standards

CE conformity according to the directives of the European Union

| | |
|-------------------------------------|--------------|
| - Electromagnetic compatibility EMC | 89 / 336 EEC |
| - Low voltage directive | 73 / 23 EEC |

Service notes

- Check wiring and all safety functions each time a unit has been replaced

Disposal notes



The unit contains electrical and electronic components and may not be disposed of together with household garbage.
Local and currently valid legislation must be observed.

Mechanical design

- For mounting on the burner, in control panels or on panel fronts
- Housing and plug-in base are made of impact-proof and flame-retarding plastic
- Unit of plug-in design, secured to the base with 4 screws
- Large wiring compartment inside the plug-in base
- Unit fuse to protect the control contacts against overloads
- Robust printed circuit board with
 - sequence switch driven by a synchronous motor
 - auxiliary relay
 - electronic detector current amplifier
 - switching, control and setting elements

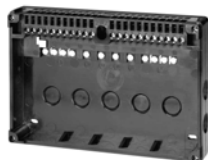
Type summary and ordering

| Type reference / ordering (type reference is given inside the housing near the contacts) | Mains voltage | Factory settings | | | |
|---|----------------|------------------|------|-----|-----|
| | | Hz | t1 | TSA | t9 |
| LAE1/1355 | AC 220...240 V | 50 | 30 s | 5 s | 5 s |
| LAE1/8846 | AC 220...240 V | 50 | 30 s | 2 s | 2 s |
| LAE1/8863 | AC 100...110 V | 50 | 30 s | 2 s | 2 s |
| LAE1/8864 | AC 100...110 V | 60 | 30 s | 2 s | 2 s |
| LAE1/8865 | AC 220...240 V | 60 | 30 s | 2 s | 2 s |
| LAE1.1/8847 | AC 220...240 V | 50 | 15 s | 2 s | 2 s |



LAE1... oil burner controls are supplied without terminal base.

Accessories



Terminal base

- To be ordered as a separate item
- For Pg 11

AGG41041713 (AE)

Terminal base

- To be ordered as a separate item
- For M16 x 1.5

AGG11.1

Flame detector RAR7 / RAR8

refer to Data Sheet 7713

Technical data

| | | |
|------------------------------------|------------------------------------|--|
| General unit data | Mains voltage | AC 220 V –15 %...AC 240 V +10 % AC 100 V –15 %...AC 110 V +10 % |
| | Mains frequency | 50 Hz ±6 % |
| | Primary fuse (externally) | max. 10 A (slow) |
| | Degree of protection | IP 40 |
| | Mounting position | optional |
| | Cable glands | Pg 11 or BSP 3/4" |
| | Weight | approx. 1.85 kg |
| | Unit fuse (integrated) | T6,3H250V to DIN EN 60 127 |
| | Power consumption | |
| | - On startup | 9 VA |
| | - In operation | 6 VA |
| | Max. perm. load on control outputs | |
| | - Per terminal | 4 A to VDE 0660 AC3 |
| - Total (input current terminal 1) | 5 A to VDE 0660 AC3 | |
| Environmental conditions | Transport | DIN EN 60 721-3-2 |
| | Climatic conditions | class 2K2 |
| | Mechanical conditions | class 2M2 |
| | Temperature range | -20...+60 °C |
| | Humidity | < 95 % r.h. |
| | Operation | DIN EN 60 721-3-3 |
| | Climatic conditions | class 3K5 |
| | Mechanical conditions | class 3M2 |
| | Temperature range | -20...+60 °C |
| | Humidity | < 95 % r.h. |



Condensation, formation of ice and ingress of water are not permitted!

Flame detectors

Refer to Data Sheet 7713!

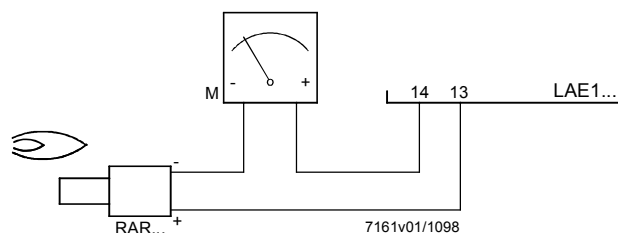
Perm. length of connecting cable 20 m

(in the case of longer distances, use low-capacitance cable, e.g. single-core, and flame detector RAR8)

Required detector current min. 8 µA

Possible detector current max. 25 µA

Measurement circuit for LAE1...



Legend

RAR... Flame detector

M Microammeter

Function

Preconditions for burner startup

- The burner will be started only if
- the sequence switch of the LAE1... is in its start position
 - the LAE1... has not triggered lockout
 - the contacts of all control and monitoring devices in the control loop between terminals 8 and 9 are closed
 - the air pressure switch – if included in the test circuit – does not signal air pressure

Faults in the flame supervision section of the LAE1... prevent startup or, in the case of startup, lead to lockout.



If the air damper is not controlled by the LAE1..., terminals 20, 21 and 22 must be interconnected.

The LAE1... can control the following burner plant components:

- Fan motor
- Flue gas fan
- Air damper
- Ignition transformer
- 1 to 3 fuel valves
- 1 external fault indication unit

A load controller with 3-position output can be connected.

Startup sequence

Specific features

- Continuous indication of the program sequence in the viewing window of the unit cover
- In the event of fault, the program indicator shows the program phase during which lockout occurred
- The motor of the sequence switch can be switched off to facilitate the burner setting procedure
- The cam shaft can be rotated manually

... on startup

First, the fan motor is switched on via terminal 3 and the actuator is controlled via terminal 22. When the air damper reaches its maximum position, the sequence switch of the LAE1... starts to operate and the prepurge time commences. The minimum air pressure set on the air pressure switch must then be reached within 10 seconds (or within 7 seconds in the case of operation with postpurge) and be maintained until controlled shutdown occurs. Otherwise, the burner control will initiate lockout. A flame signal during the prepurge time also leads to lockout. On completion of the adjusted prepurge time, the air damper is given the control command to return to the minimum position. During the time the air damper is closed, the sequence switch does not operate.

As soon as the signal contact for the minimum throttling setting is actuated by the actuator, the sequence switch starts again and controls the program sequence which can no longer be influenced from outside:

- Preignition (if the ignition equipment was not already switched on during the prepurge time)
- Release of the first fuel valve connected to terminal 5 (the fuel valve of a pilot burner which, on completion of the second safety time must be switched off, is to be connected to terminal 10, however)
- Completion of the adjusted safety time. If, during this period of time, no flame is established, the burner control will initiate lockout with interlocking
- 11 seconds after release of the first fuel valve, the second fuel valve will be released
- The pilot burner – if present and connected to terminal 10 – will be shut down
- The load controller will be switched on after another interval of 12 seconds, which means that the burner's operating position is now reached. From now on, the load controller controls burner output by increasing or decreasing the oil throughput and the amount of air, depending on the demand for heat

If the flame is lost during operation, the burner control will initiate lockout or – if operating mode «with start repetition» is used – make a new start.
In that case, the sequence switch must return to its start position, however, and post-purging will take place – if programmed.

Control sequence

... after a controlled shutdown

Controlled shutdown occurs as soon as a control or monitoring device in the control loop between terminals 8 and 9 opens its contact.

The fuel valves are immediately shut and postpurging, if included, will start.

The sequence switch will return to its start position where it stays until the next switch on command is given.

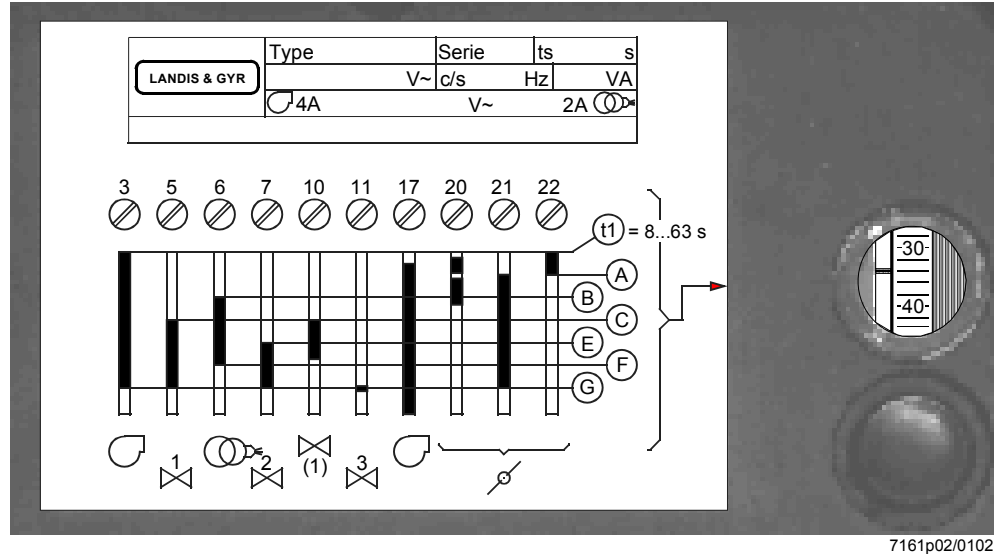
... after lockout of the LAE1...

After pressing the integrated or external lockout reset button, the sequence switch will return to its start position, provided the fault has been corrected.

The only component of the burner plant that is switched on here is the fan motor connected to terminal 17.

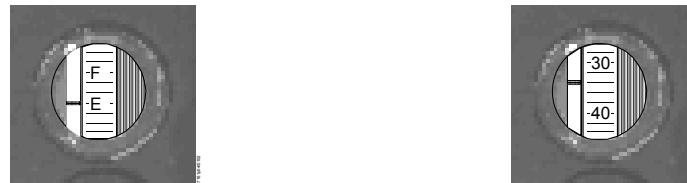
Since in normal circumstances, the control thermostat or pressurestat continues to call for heat, the sequence switch initiates a new start after it has reached its start position.

Program sequence indicator



The program sequence indicator shows the respective startup position. The **letters** correspond to those given in the sequence switch diagram beside the viewing window. The **numbers** give the remaining prepurge time. In the event of lockout, the sequence switch and the program sequence indicator stop, thus indicating the operating phase during which lockout occurred.

Reading the program sequence indicator



Valve 2 connected to terminal 7 will be opened

Prepurge time lasts another 35 seconds

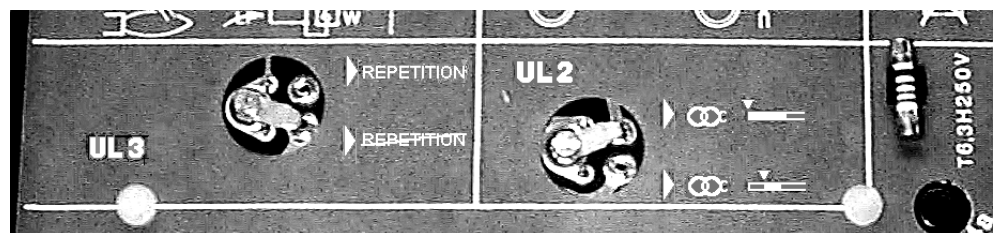
Changing the control sequence

Two changeover latches on the underside of the burner control can be used to make the following settings:

| | | | |
|-----|------------------------|--|-----------------|
| UL2 | Long preignition time | During prepurging | Factory setting |
| | Short preignition time | 3 seconds | --- |
| UL3 | With repetition | In the event of loss of flame during operation | --- |
| | Without repetition | In the event of loss of flame during operation | Factory setting |

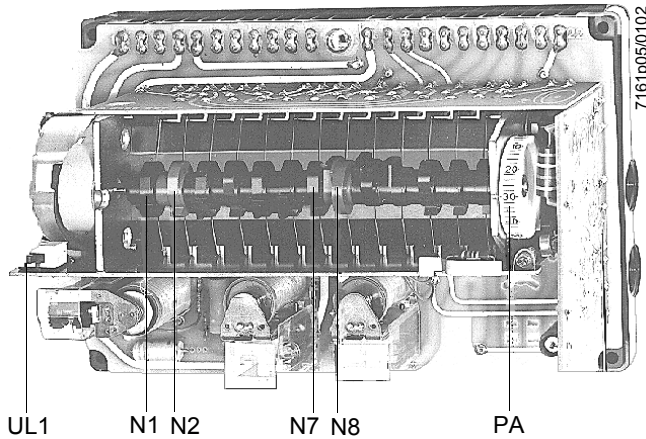


The factory setting can only be changed after loosening the screw. Retighten screw properly!



Settings and adjustments on the burner control

- Loosen all 6 screws and remove the cover of the LAE1...
- Always start counting the switching cams from the motor side
- You can manually turn the cam shaft to any position you want (clockwise rotation as seen from the motor)



Setting elements

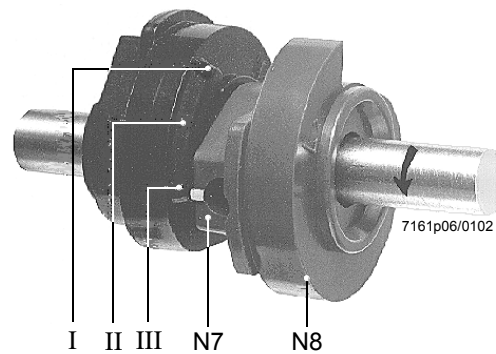
| | |
|-----|---|
| N1 | Cam 1, fixed |
| N2 | Cam 2, adjustable (safety time) |
| N3 | Cam 3, adjustable (safety time) |
| N7 | Cam 7, fixed |
| N8 | Cam 8, adjustable (prepurge time) |
| PA | Sequence position indicator |
| UL1 | Operating switch ON / OFF for sequence switch motor |

On the underside of the base:

| | |
|-----|--|
| UL2 | Changeover latch «Short / long» preignition time |
| UL3 | Changeover latch «With / without» repetition |

Adjusting the prepurge time «t1»

- Loosen the fixing screw of the red cam N8
- Turn cam shaft manually until the required prepurge time is indicated next to the index notch on the sequence switch carrier
- Hold the cam shaft firm and turn cam N8 until the tappet operated by it trips, or until the cam stops at this tappet
- Tighten the cam's fixing screw **carefully** and then check the adjusted time.
The adjusted time is also visible through the viewing window when the LAE1... is in its start position

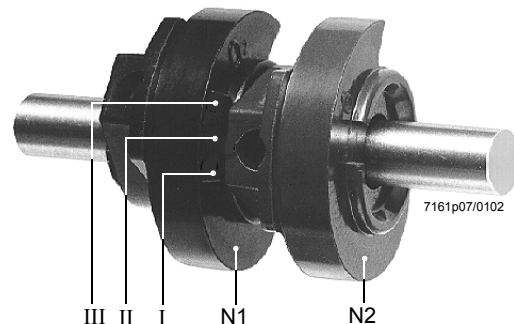


Adjustment of the mark of the red cam N8 to the graduation marks of the block cam N7 results in the prepurge times given in the adjacent table.

| Adjustment to | t1 |
|---------------------|--------------|
| Graduation mark I | 8 s |
| Graduation mark II | 18 s |
| Graduation mark III | 28 s |
| <u>At stop</u> | <u>63 s</u> |
| Factory setting | approx. 30 s |

Adjusting the safety time «TSA»

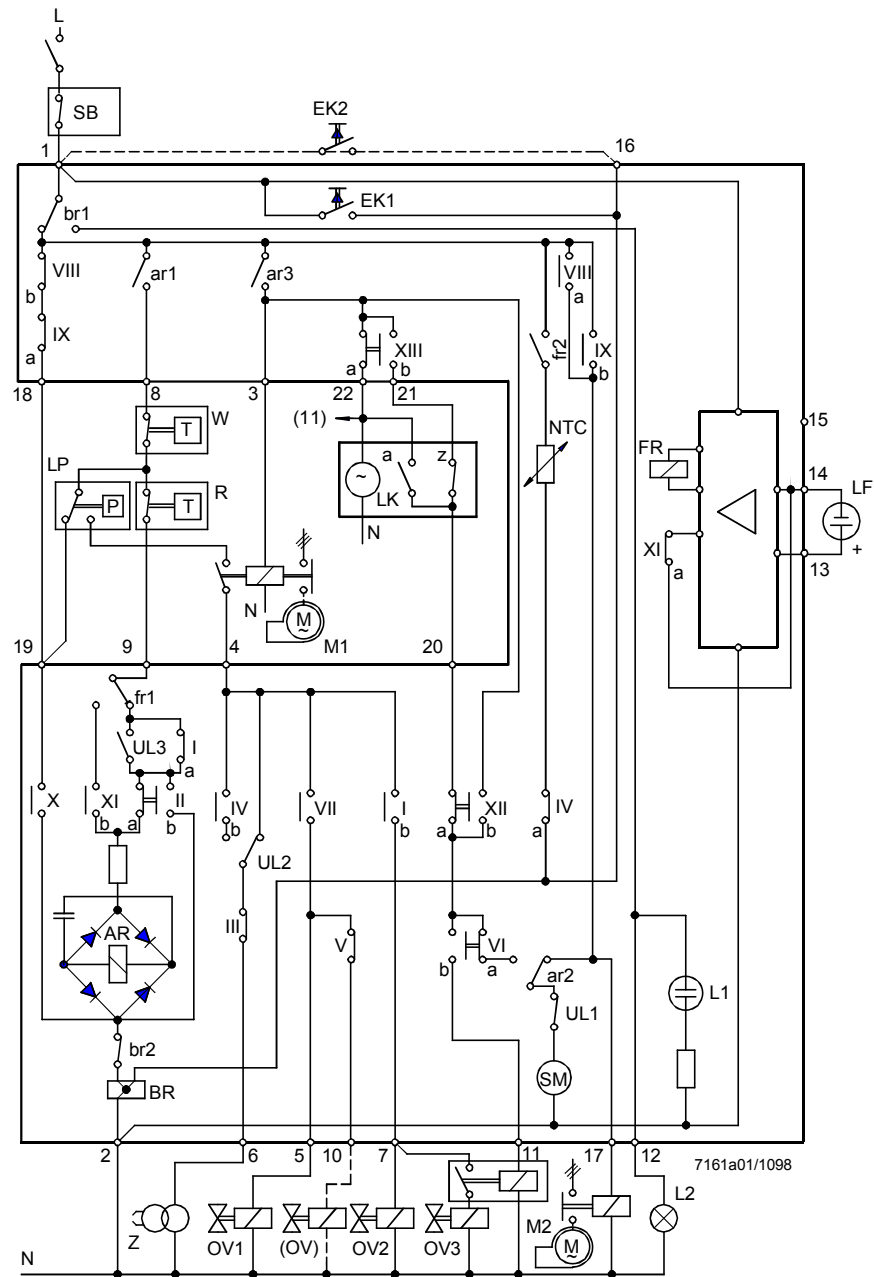
- Loosen the stop screws of cams N2 and N3
- Hold cam N1 firm and align the graduation mark of cam N2 to the corresponding time marking of cam N1 (intermediate positions possible) (see adjacent illustration and table). Lock cam N2
- Set adjustment mark of cam N3 to the lowest stop of cam N2 and lock cam N3
- Check the adjusted safety time and adjust the new value on the rating plate of the cover (adjustment slot on the underside of the cover)



| Adjustment to | TSA |
|----------------------------|------------|
| Graduation mark I | 0 s |
| Graduation mark II | 4.5 s |
| <u>Graduation mark III</u> | <u>9 s</u> |
| Factory setting | ≤ 5 s |

Connection diagram

Unit fuse 6.3 A (slow) in the current path between terminal 1 and relay contact «br...» is not shown.

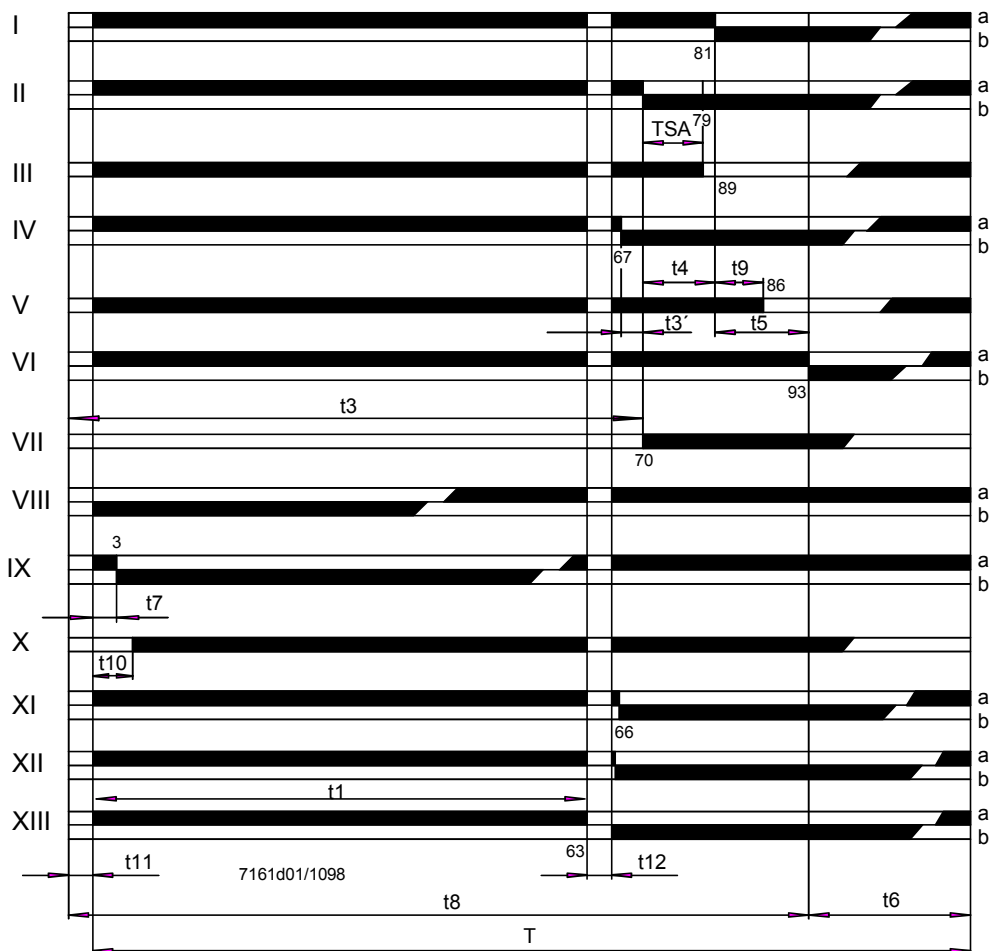


Legend

| | | | |
|-----|--|-------|--|
| AR | Load relay with contacts «ar...» | LP | Air pressure switch |
| BR | Lockout relay with contacts «br...» | M... | Fan |
| EK1 | Lockout reset button on the LAE1... (do not press «EK1» for more than 10 seconds!) | NTC | High temperature conductor (delay device) |
| EK2 | Remote lockout reset button (do not press «EK2» for more than 10 seconds!) | OV... | Oil valve |
| FR | Flame relay with contacts «fr...» | (OV) | Fuel valve for a pilot burner, will be switched off on completion of the 2 nd safety time |
| L1 | Fault indication lamp (integrated) | R | Control thermostat or pressurestat |
| L2 | Fault indication lamp (external) | SB | Safety limit thermostat |
| LF | Flame detector RAR... | SM | Synchronous motor of sequence switch |
| LK | Air damper actuator with end or auxiliary switches a = actuator travels to the «fully open» position (max. air volume) z = actuator travels to the «fully closed» position (min. air volume) | UL1 | Operating switch for sequence switch motor (only accessible when cover is removed) |
| | | UL2 | Changeover latch «Long / short preignition time» |
| | | UL3 | Changeover latch «With / without repetition» |
| | | W | Limit thermostat or pressure switch |
| | | Z | Ignition transformer |

Time diagram of sequence switch

The maximum permissible afterburn time is 7 seconds – from the start of «t6».
Customer-specific presettings of the times on request!



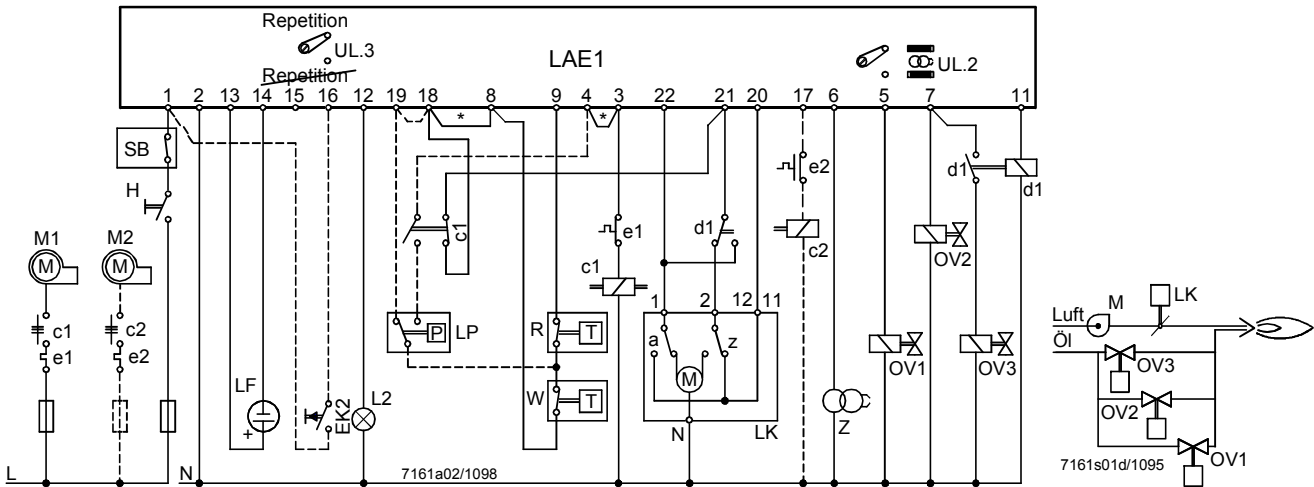
Legend

| | | |
|-----|------------------------|---|
| T | 120 s | Cycle time of the sequence switch |
| TSA | 0...9 s | Adjustable first safety time |
| t1 | 8...63 s | Adjustable prepurge time |
| t3 | $t1 + t11 + t12 + 7$ s | «Long» preignition time |
| t3' | 3 s | «Short» preignition time |
| t4 | 11 s | Interval between release of 1 st and 2 nd fuel valve |
| t5 | 12 s | Interval between release of 2 nd and 3 rd fuel valve or load controller |
| t6 | $T - (30 + t1)$ | Postpurge time |
| t7 | 3 s | Delay time |
| t8 | $t1 + 30 + t11 + t12$ | Total startup time |
| t9 | 5 s | Second safety time (only with pilot burner) |
| t10 | 10 s | Bridging time (predefined time for air control) |
| t11 | optional | Opening time for the air damper |
| t12 | optional | Closing time for the air damper |

Connection examples

Connection diagram and sequence program for operation with long preignition and repetition (actuator control checked, no load control).

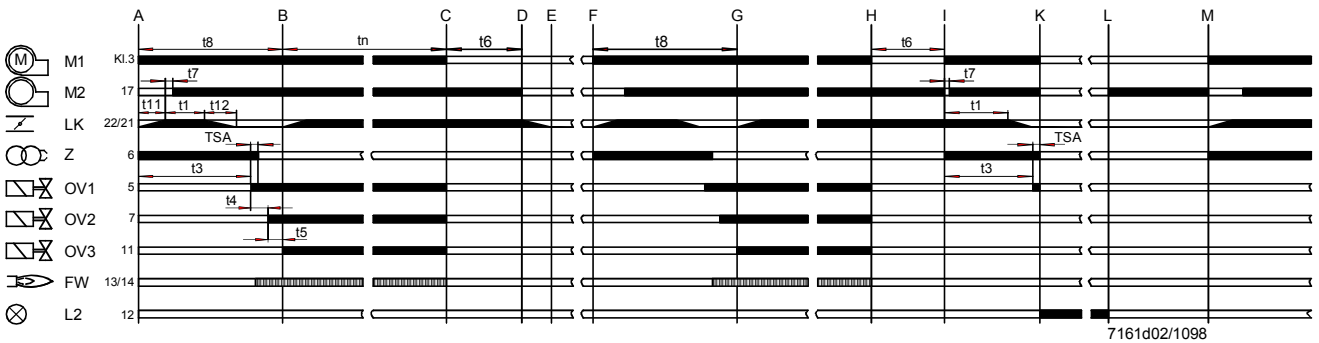
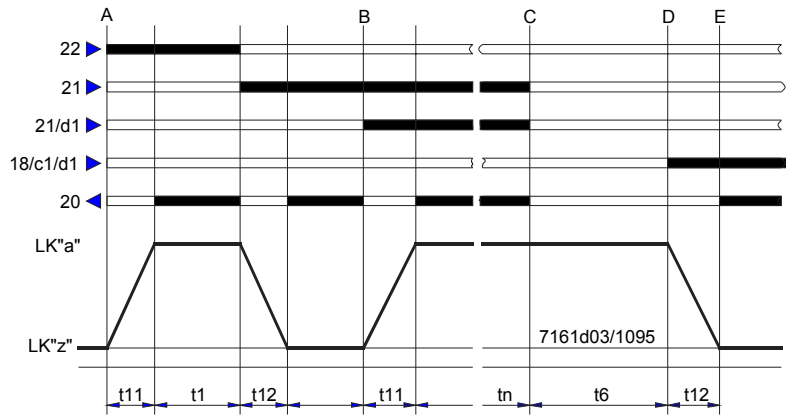
* When using an air pressure switch LP, the connections between terminals 3 and 4 and 8 and 18 are not required



Air damper control (in detail)

In the case of burners without air damper or an air damper not controlled by the LAE1..., terminals 20, 21 and 22 must be interconnected.

In that case, current path 18-c1-21 must not be present!



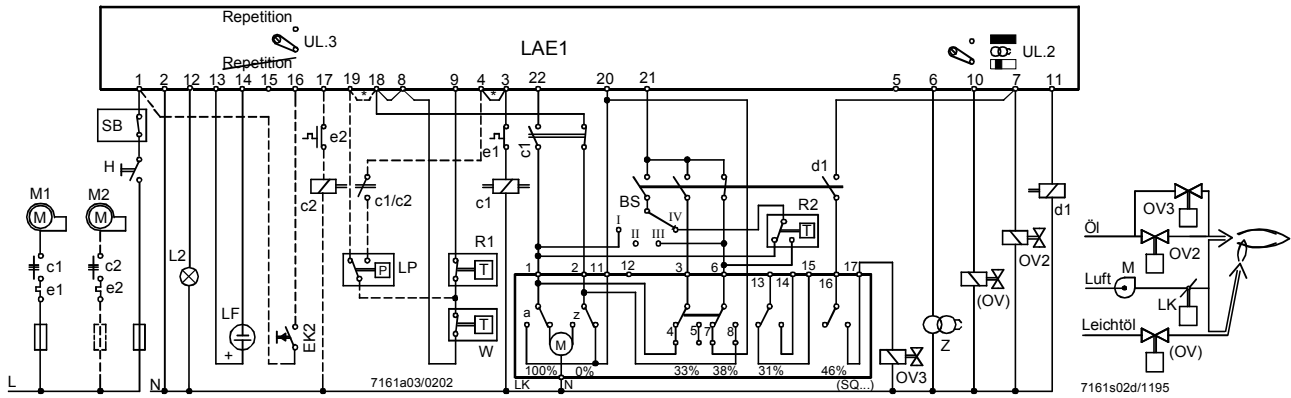
Legend

| | | | |
|-----|------------------------|-----|--|
| A | Start | G-H | Operation |
| A-B | Normal startup | H | Loss of flame |
| B-C | Operation | H-I | Return to start position |
| C | Controlled shutdown | I | Repetition |
| C-D | Postpurging | I-K | Startup without establishment of flame |
| D-E | Closing the air damper | K-L | Fault |
| E-F | Burner off period | L | Reset |
| F | Restart | L-M | Return to start position |
| F-G | Startup | M | Restart |

Connection examples (cont'd)

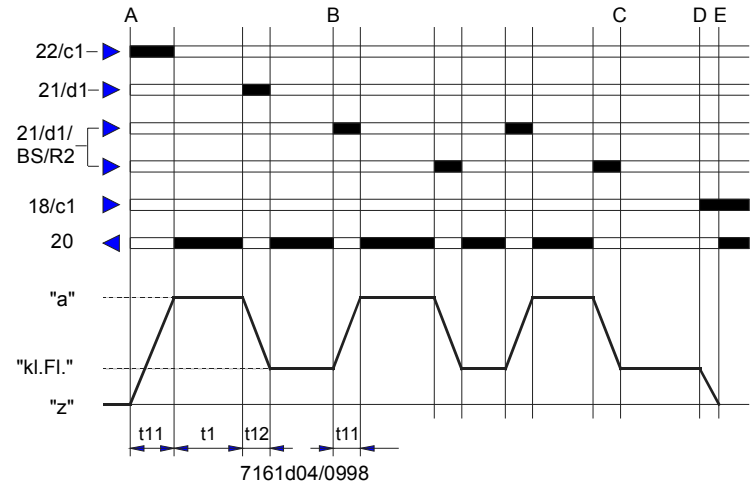
Connection diagram and sequence program for operation with short preignition and without repetition.
Ignition of main burner with light oil pilot burner (on / off control with checked actuator control).

* When using an air pressure switch LP, the connections between terminals 3 and 4 and 8 and 18 are not required

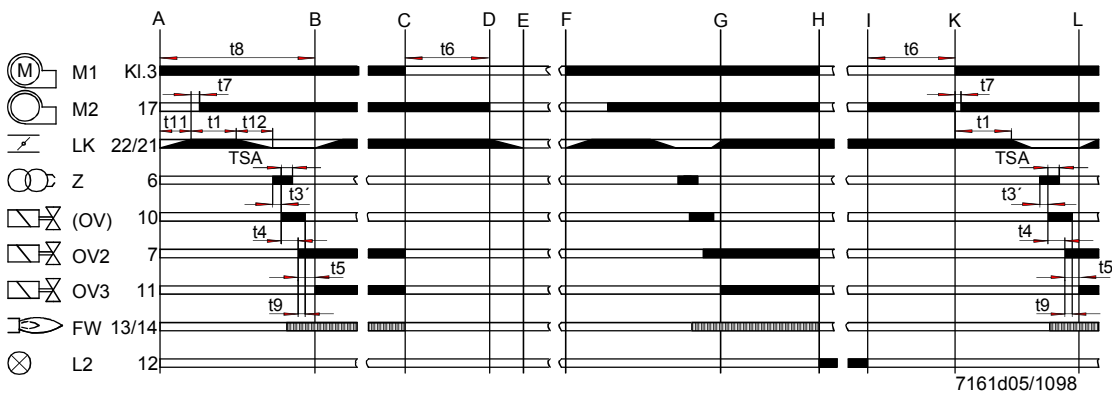


Control switch «BS»

- I High-flame
- II Stop
- III Low-flame
- IV Automatic control



Air damper control (in detail) →



Legend

- | | | | |
|-----|------------------------|-----|--------------------------|
| A | Start | G-H | Operation |
| A-B | Normal startup | H | Loss of flame |
| B-C | Operation | H-I | Fault |
| C | Controlled shutdown | I | Reset |
| C-D | Postpurgung | I-K | Return to start position |
| D-E | Closing the air damper | K | Restart |
| E-F | Burner off period | K-L | Startup |
| F | Restart | L | Operation |
| F-G | Startup | | |

Connection examples (cont'd)

Connection diagram for modulating burner control with checked actuator control.

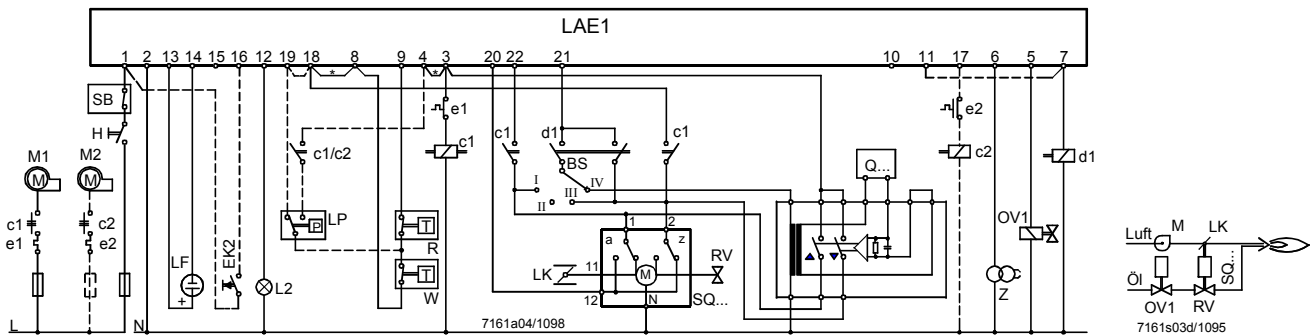
Burners designed for modulating burner control also use the devices of the temperature or pressure control loop, in addition to the standard burner control equipment.

Example:

- One modulating controller with a 3-position output
- Temperature or pressure sensor
- One actuator for the control of the air damper and oil throughput
- One auxiliary relay
- One control switch
- One oil volume controller

QA... / QB...
SQ...
d1
BS
RV

* When using an air pressure switch LP, the connections between terminals 3 and 4 and 8 and 18 are not required

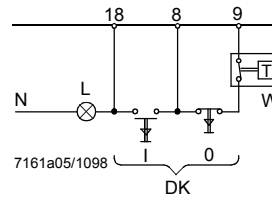


Control of semiautomatic operating mode

This operating mode is used when, for specific reasons, fully automatic operation is not desired.

Example: Industrial burners

The burner is started by pressing button I (N.O.). Burner shutdown is achieved either by pressing button 0 (N.C.) or when there is a response from the limit thermostat.



Air pressure switch LP

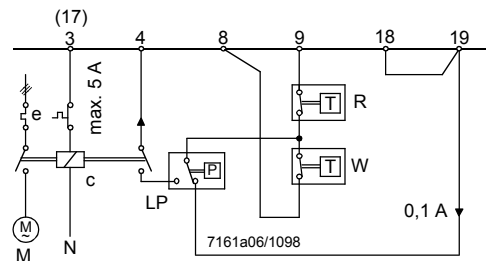
(Recommended for burners that use separate motors for the fan and the fuel pump).

The air pressure is continuously monitored from burner startup through controlled shutdown.

If 10 seconds after the start of prepurging, or 7 seconds with the program with pre- and postpurging, the adjusted and required minimum air pressure is not reached, or if the air pressure drops again, the burner control will initiate lockout.

If air pressure switch LP is connected as shown in the adjacent diagram, an automatic functional check is made prior to each start.

If the contact position is wrong, there will be no start.

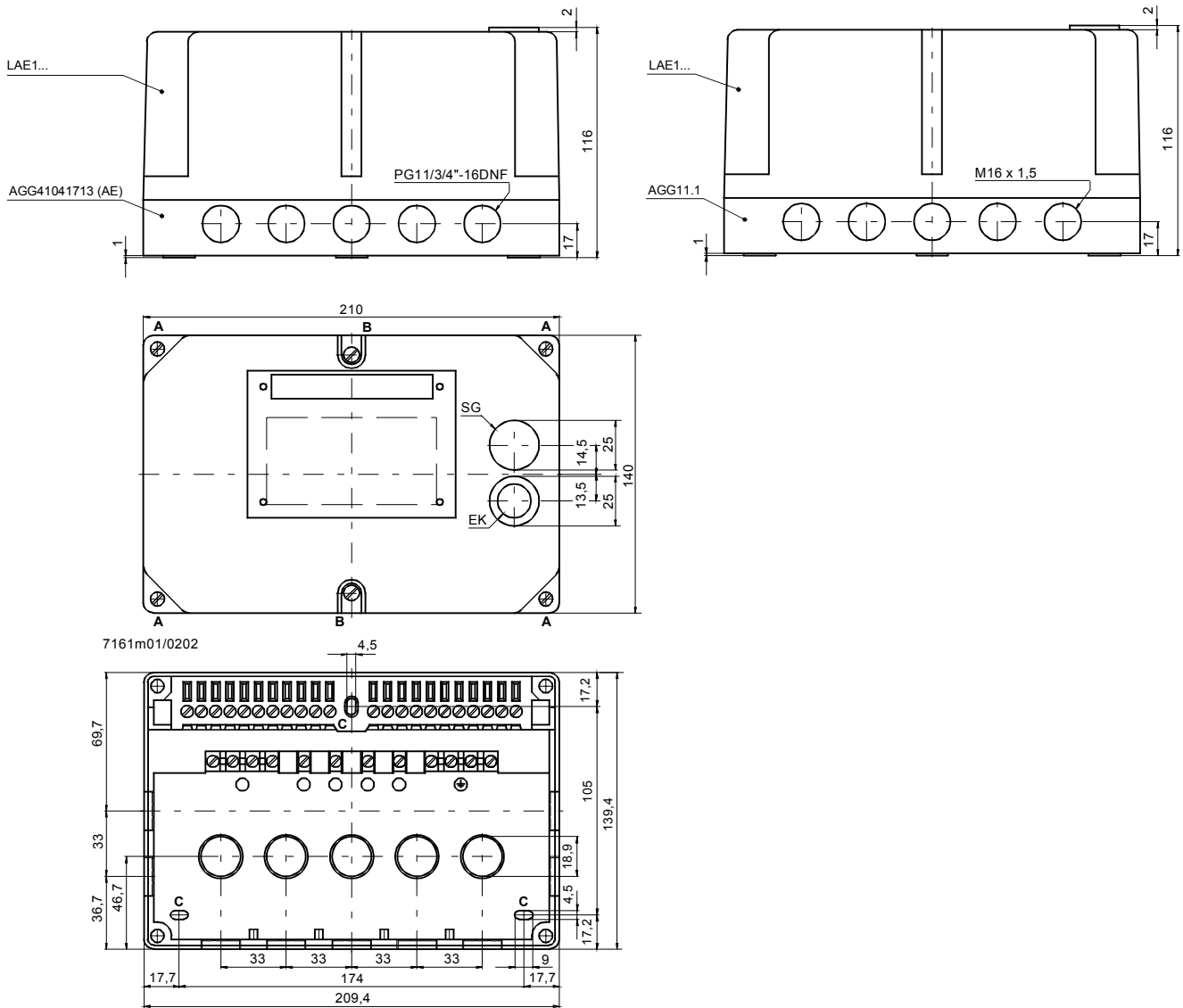


Legend

| | |
|-------|--|
| AR | Load relay with contacts «ar...» |
| BR | Lockout relay with contacts «br...» |
| BS | Control switch |
| c... | Fan contactor with contacts «c...» |
| d... | Auxiliary relay with contacts «d...» |
| DK | Button |
| e... | Thermal overcurrent release |
| EK1 | Lockout reset button on the LAE1... (do not press «EK1» for more than 10 s!) |
| EK2 | Remote lockout reset button (do not press «EK2» for more than 10 s!) |
| FR | Flame relay with contacts «fr...» |
| FW | Flame supervision |
| H | Main switch |
| L | Lamp |
| L1 | Fault indication lamp (integrated) |
| L2 | Fault indication lamp (external) |
| LF | Flame detector RAR... |
| LK | Air damper actuator with end or auxiliary switches a = actuator travels to the «fully open» position (max. air volume) z = actuator travels to the «fully closed» position (min. air volume) |
| LP | Air pressure switch |
| M... | Fan |
| NTC | High temperature conductor (delay device) |
| OV... | Oil valve |
| (OV) | Fuel valve for a pilot burner, will be switched off on completion of the second safety time |
| R | Control thermostat or pressurestat |
| RV | Control valve |
| SB | Safety limit thermostat |
| SM | Synchronous motor of sequence switch |
| UL1 | Operating switch for sequence switch motor (only accessible when cover is removed) |
| UL2 | Changeover latch for «Long / short» preignition time |
| UL3 | Changeover latch for «With / without» repetition |
| W | Limit thermostat or pressure switch |
| Z | Ignition transformer |

Dimensions

Dimensions in mm



To remove the LAE1... from its plug-in base, it is **merely** necessary to loosen the 4 screws «**A**».

To remove the unit cover, also loosen the 2 screws «**B**».

Legend

- C** Elongated holes for fixing the plug-in base
- SG** Viewing window
- EK** Lockout reset button