

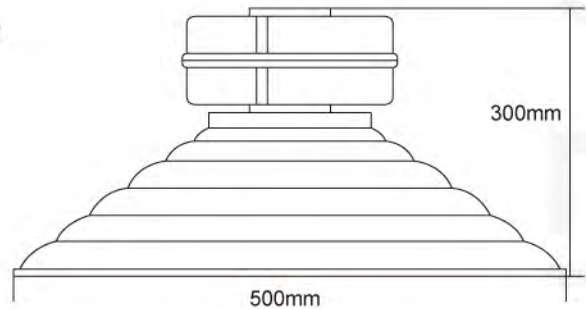
### Product detail



### Technical Date

- Item: NSL-GC001
- Power: 40W/60W/80W/100W/120W/150W/200W/250W
- Voltage: 110V/220V/90V~305V
- Working temperature: -40°C~+50°C
- Protection: IP54
- G.W./N.W.: 8kg/7.5kg
- Size: 500x500x300(mm)
- Packing size: 520x520x320(mm)

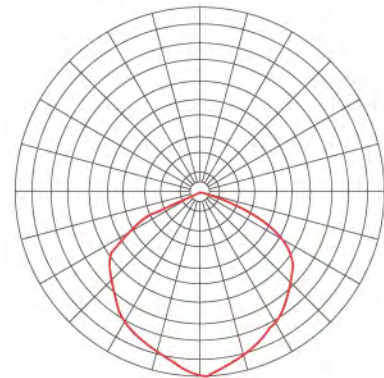
### Basic Dimensions



### Product features

- Patented aluminum die-casting saucer electrical box;
- Electrical box appearance electrostatic spray , the overall appearance beautiful;
- Polished oxidation of high-purity aluminum reflector , high reflectivity, optical performance stable;
- Tempered glass , high light transmittance r;
- Installing height :5-18m

### Light distribution curve




### Applications

- Industrial plants , warehouses , gymnasiums ,hypermarkets ,supermarkets and other indoor environment.





Item: NSL-GC001	DISCRIPTION	Power	Unit Price (FOB shanghai)		
			<100pcs	100-300pcs	>300pcs
	1. Die-casting aluminum gear box + 1.2MM high-purity Aluminum reflector +5mm toughened glass; 2. With Circle induction lamp 40-250W; 3. Working frequency: 230KHZ; 4. CCT: 2700K, 3500K, 4100K, 5000K, 6500K; 5. Luminous Efficacy 75-85Lm/W; 6. Power factor > 0.98. CRI>80; 7. Lifespan: 100000hrs , 5 years guarantee; 8. Size: 500X500X300mm	40W	\$65.00	\$63.50	\$62.00
		60W	\$74.00	\$72.50	\$71.00
		80W	\$83.60	\$82.00	\$80.50
		100W	\$85.00	\$83.50	\$82.00
		120W	\$88.50	\$87.00	\$85.50
		150W	\$95.90	\$94.40	\$93.00
		200W	\$105.00	\$103.50	\$102.00
		250W	\$108.00	\$106.50	\$105.00

