

HYUNDAI

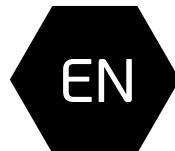


Электрический инфракрасный обогреватель

Руководство по эксплуатации.
Гарантийный талон.

Electric ceiling heater (infrared heater)

Instruction manual.
Warranty card.



Модели / Models

H-HC1-15-UI571
H-HC1-18-UI572
H-HC1-24-UI573
H-HC1-32-UI574



Table of contents

Introduction	3
1. General	3
Description	3
Stock number interpretation	3
Appearance	4
Package contents	4
Technical specifications	5
2. Safe operation and installation of electric ceiling heater	5
General safety rules	6
3. Disposal	7
4. Assamble and installation	7
5. Connectins to the mains	10
6. Operation	11
7. Wiring schematic diagram	11
8. Service	12
9. Transportation and storage	13

INTRODUCTION

Before installing and using the appliance, please very carefully read this instruction manual and manufacturer's warranty liabilities. Keep the instruction manual for future reference. If you hand over the appliance to another user, please hand over the instruction manual as well.

For more details or resolution of any occurred problems, please visit Hyundai website at www.hyundai-hvac.com. You can also contact the nearest regional service center of the manufacturer. If there are no service centers of the manufacturer in your region, please contact the regional dealer of Hyundai.

The content of this instruction manual has been checked and approved. The manufacturer is not responsible for any spelling mistakes in the text and incorrect interpretation of the instruction manual content.

The appearance, specifications, and package contents of the appliance can be modified by the manufacturer without preliminary notification.

1. GENERAL

Description

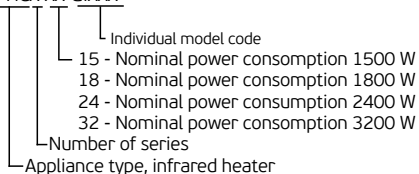
Infrared heaters are used for zonal heating of areas with poor heat insulation or open spaces, where traditional heaters are not effective.



Stock number interpretation

Appliance
series

H-HCX-XX-UJXXX



Appearance

1. Radiating board
2. power cords
3. Cover

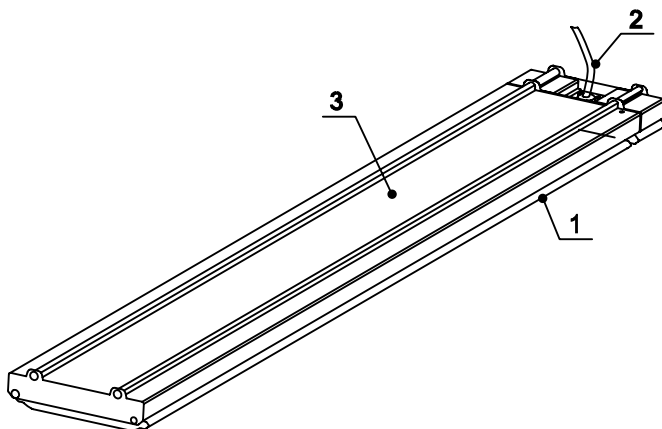
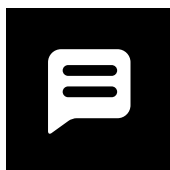


Fig. 1

EN

Package contents

1. Infrared heater - 1 pc
2. Set of fasteners - 1 set
3. Operation manual and warranty certificate - 1 pc



NOTE:

Design and technical characteristics of the oil heater, as well as its complete set may be changed by the manufacturer without prior notification, when it is needed to improve its quality.

Technical specifications

Table 1

		H-HC1-15- UI571	H-HC1-18- UI572	H-HC1-24- UI573	H-HC1-32- UI574
Rated voltage	V/Hz	~220/50	~220/50	~220/50	~220/50
Nominal power consumption	W	1500	1800	2400	3200
Rated current	A	6,8	8,2	10,9	14,5
Water protection class	-	IP65	IP65	IP65	IP65
Electric protection class	-	Class I	Class I	Class I	Class I
Heating area	m ²	14-16	18-22	22-25	31-35
Mounting height	m	2,7	3,0	3,5	3,8
Weight	kg	4,3	5,0	6,1	7,6
Dimensions	mm	50x980x160	50x1160x160	50x1440x160	50x1850x160



For more detailed description of technical parameters and specifications please refer to our website www.hyundai-hvac.com or ask from the official dealers of Hyundai.



ATTENTION!

The manufacturer reserves the right to change the set-list of the device (including liquid and powder components) for different supplies without prior notice. The changes either in no way influence the basic technical parameters of the device or may improve them, and also not violate the legislation or quality standards of the countries of manufacture, transit and selling.

The changes in the set-list may result in changing of the weight and dimensions of the device, but not more than by +/- 5-20% (depending on the product category)

2. SAFE OPERATION AND INSTALLATION OF ELECTRIC INFRARED HEATER

When operating appliance please observe safety rules. Improper operation or ignoring these rules can lead to harming health of the user and other people as well as damage to their property. The manufacturer is not liable for personal injury and damage property resulting from improper installation and operation of the device.

GENERAL SAFETY RULES

1. Read all instructions before using the heater.
2. Temperature of radiating boards during operation of the heater may reach 340 °C. To avoid burns, do not touch the appliance surface by hand and other body parts. It is also necessary to exclude the possibility of touching the heater radiating boards by a person (including accidental) via proper instructions and allocation of the heater in an inaccessible place.
3. The heater should be placed far from flammable and easily deformable objects.
4. The power cord and other objects should not contact hot surfaces of the heater.
5. Make sure that the heater body and its radiating boards get cold before demounting and placing the heater to the package for long storage.
- 6 During demounting of the heater or its movement, take special precautions to exclude hits of the appliance and its falling.
7. When the heater is not used for a long time, keep it in dry cool place in the factory cardboard package.
8. DO NOT COVER the heater. Do not dry clothes and any other fabrics/materials on the appliance. This may lead to its overheating, breakdown, or infliction of a significant damage to you and/or your property.



ATTENTION!

The manufacturer considers this type of failure a nonguaranteed event.

EN

9. The heater should be connected to the electric mains equipped with an automatic circuit breaker.
10. Never connect the heater to the electric mains, if its surface is moist (wet).
11. Never try to repair the heater yourself. This may inflict harm to your health and affect the warranty service of the appliance.
12. It is prohibited to use the heater in rooms with explosive, dusty, or corrosive environment.
13. Exclude operation of the heater without grounding.
14. It is prohibited to switch on and use the heater with removed cover.
15. It is prohibited to install and use the heater in bathrooms, showers, or near swimming pools, where water jets and drops may directly get onto the appliance surface, when it is switched on.
16. It is prohibited to use the heater in dusty rooms and during redecoration.
17. It is prohibited to touch the heater radiating boards.
18. Use the heater only as described in this Manual. Any other use not recommended by the manufacturer may lead to fire, electric shock, or injuries of people.
19. Never clean the heater, when it is connected to the electric mains, and do not wipe the heater radiating boards with flammable liquids during its operation.
20. For normal operation of the heater, the mains voltage should be sufficient and the mains specifications should strictly correspond to the technical parameters indicated on the appliance body. If necessary, clarify the specifications of your mains from the electricity supplier.
21. Install and operate the heater on the ceiling constructions and on the wall. At that, thermal resistance of the ceiling coating material should be at least 80 oC.
22. It is prohibited to install the appliance in immediate proximity to an electric socket. This may result in its overheating causing an emergency situation.
23. The appliance is not designed for use by people (including children) with limited physical, sensory, or mental capabilities and having insufficient experience/knowledge, if they are not supervised and instructed on use of the device by a person responsible for their safety. It is necessary to watch that children do not play with the heater.
24. There can be stuck an advert stickers on the heating plates. It should be removed from the surface before first start of the device.
25. There is a warning sticker on the reverse side of the device. It is strongly do not recommended to remove it. You can do this, only if you want to attach the remote control block. (Remote Control Block is not included in the standard set of heater; you can buy it separately).

3. DISPOSAL

Detailed information on the recycling can be obtained from representative of the local authority. Service life of the device specified in the warranty card.

4. ASSEMBLY AND INSTALLATION

Minimum distances from heater to other surfaces the below diagrams confirm the minimum recommended clearances

Angled Wall Installation

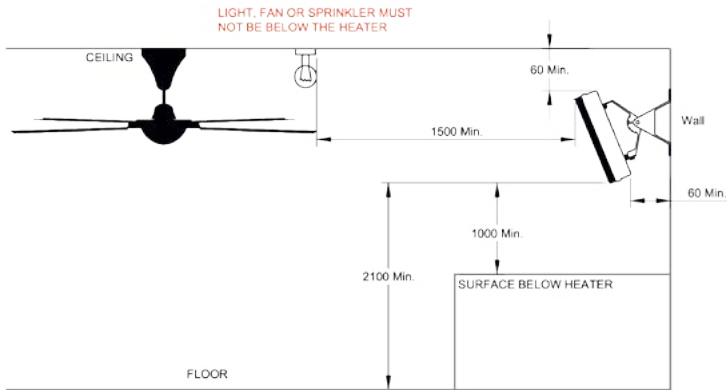


Fig. 2

Ceiling Installation

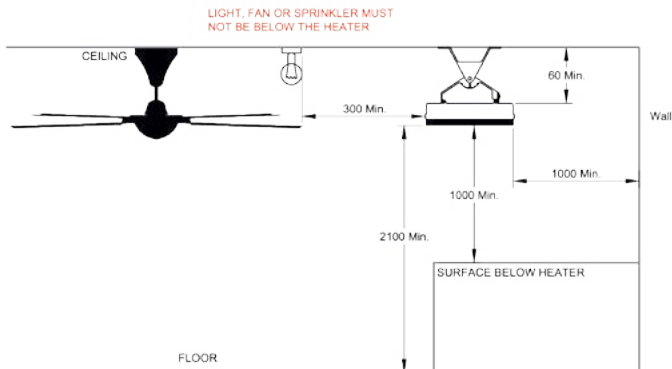


Fig. 3

Angled Ceiling Installation

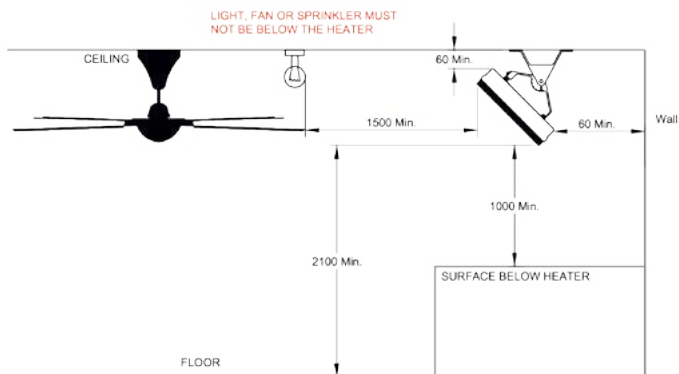


Fig. 4

Ceiling mount installation

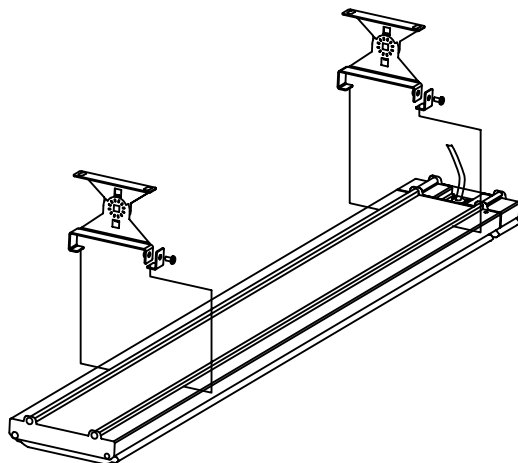


Fig. 5

**ATTENTION!**

At long standing in the heated area, the distance from the heater radiating boards to a person or an animal at indoor air temperature below +11 °C should be at least 1.8 m.

Infrared heater mounting

1. Open the factory package and carefully remove the heater from it.
2. Take the set of fasteners.
3. According to Figs. 2, 3, 4, select the heater installation place on the ceiling or ceiling structural elements with observation of minimum distances from objects and minimum distance from the floor.
4. Install the brackets at distance from each other according to Fig. 5, securing them using a chain or fasteners.
5. Suspend the heater on the brackets according to Fig. 5, first securing on edge, then another. Make sure that screws are tightened firmly.

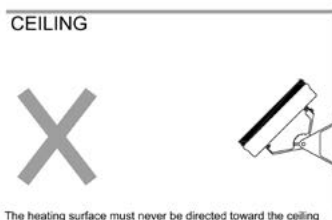
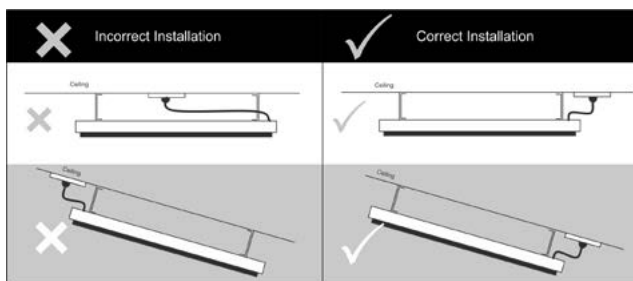
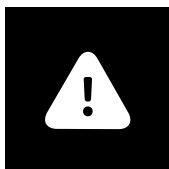


Fig. 6



ATTENTION!

Mounting of the infrared heater and its connection to the electric mains should be carried out only by qualified specialists according to the Electrical Installation Regulations and Power System Safety Standards.

**NOTE:**

1. Depending on material and design of ceiling structural elements, the heater is secured onto appropriate fasteners chosen on basis of the strength condition. Strength of the ceiling or structural elements, to which the heater is secured, should be sufficient to endure 5-fold weight of the heater.

2. The heater can be installed on the wall and mounted on the height not less than 1.8 from the floor. Also it is obligatory to be installed an additional protection in order to avoid the contact with heating plates.

**ATTENTION!**

After installation of the heater and before switching for the first time, it is necessary to wipe the radiating board with alcohol. After that, it is PROHIBITED to touch the radiating board.

EN

5. CONNECTING TO THE MAINS

1. The heater is designed for connection to the single-phase ~220 V, 50 Hz electric mains equipped with a grounding loop.

2. Before connection, make sure that specifications of the electric mains at the connection point meet the parameters indicated on the appliance nameplate.

3. The electric mains should be equipped with an automatic circuit breaker with rated current not less than 16A

4. For connection of the heater to the electric mains, it is necessary to do the following:

- remove the cover from the heater, cut a hole in the rubber seal, insert the electric cable to the heater, tightly fix the bare ends of the electric cable in the junction block of the heater with screws in strict correspondence with marking on the block, reinstall the cover.

**NOTE:**

The instruction manual for remote control block is not included in the scope of delivery. Should be bought separately.

**ATTENTION!**

The power outlet should be rated at least 10A for models with a maximum capacity of up to 1800 W and at least 16A for models with a maximum capacity of more than 1800 W.

6. OPERATION

1. Before switching the heater, it is necessary to thoroughly wipe the surface of the radiating boards first with a soft rag moistened in alcohol and then with a dry rag in order to exclude appearance of burnt spots.
2. After switching and reaching the working mode, the appliance starts to radiate infrared beams and heat the surrounding objects/bodies.
3. To exclude unpleasant burnt odor, it is recommended to keep the heater clean preventing accumulation of dust on it.



ATTENTION!

Slight crackles may be heard during operation at the moment of heating or cooling, which disappear, when the heater reaches the working mode.



NOTE:

Discoloration of paint on the heater body wall directed to the ceiling during operation is not a defect. Changing of color for heating plates is not defect.



7. WIRING SCHEMATIC DIAGRAM

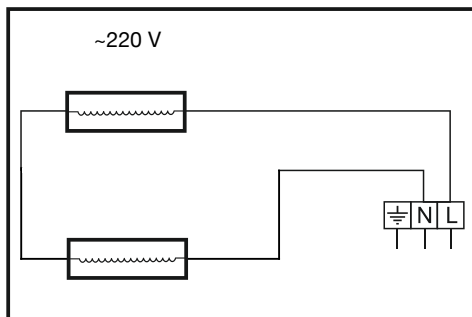
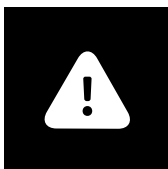


Fig. 7

8. SERVICE



ATTENTION!

See «SAFE OPERATION AND INSTALLATION OF ELECTRIC INFRARED HEATER»

1. During operation, it is necessary to periodically (once a year) check the electric cable contacts and terminal connectors for good tightening.
2. Prior to preventive cleaning of the unit, you must switch off the unit, unplug it from electric mains and let the unit cool down.
3. Clean the unit's surfaces with a soft, slightly damp duster/cloth. The cloth must not leave fluff on the unit's surface.
4. It is not recommended to use detergents, including materials containing abrasive elements.
5. During cleaning, please, do not damage the unit's surface by sharp objects (hard sponge, polishing paper, etc). Scratches on the painted surface can result in rusting.
6. Switch on and use the unit again only having carried out all « SAFE OPERATION AND INSTALLATION OF ELECTRIC INFRARED HEATER »; also make sure that the unit's surface is absolutely dry.

Troubleshooting	Possible causes	Removal
The heater heats poorly	<ul style="list-style-type: none"> • The heating element is faulty • Low voltage in the electric mains 	<ul style="list-style-type: none"> • Contact the authorized service center of Hyundai • Check voltage in the electric mains
The heater does not work	<ul style="list-style-type: none"> • No voltage in the electric mains • Breakdown of the electric cable • The automatic circuit breaker of the electric mains is faulty • Breakdown in the heating element circuit 	<ul style="list-style-type: none"> • Check presence of voltage in the electric mains. • Check integrity of the electric cable and if necessary replace it, contact an authorized service center Hyundai • Check operability of the automatic circuit breaker of the electric mains and replace the faulty circuit breaker if necessary • Contact the authorized service center of Hyundai

If you are not able to remedy a malfunction according to the recommendations or other malfunctions occur, contact the authorized service center of Hyundai.

9. TRANSPORTATION AND STORAGE

Temperature requirements*	Transportation and storage	From -30° to +50°
Humidity requirements*		From 15% to 85% (without a condensate)

We are exploring new technologies and we constantly improving the quality of our products. That's why specifications, design and accessories are subject to change without any specific notice.

* This product must have storage in dry, well-ventilated space of warehouse at the temperature not lower than -30°



Содержание

Введение	15
1. Обзор	15
Описание	15
Расшифровка артикула	15
Внешний вид	16
Комплектация	16
Технические параметры	17
2. Правила безопасной эксплуатации и установки электрического инфракрасного обогревателя	18
Общие правила безопасности	18
3. Утилизация	19
4. Сборка и установка	20
5. Подключение к электрической сети	23
6. Эксплуатация	24
7. Принципиальная электрическая схема	25
8. Обслуживание	25
9. Транспортировка и хранение	27
10. Сертификация	27

Уважаемый покупатель!

Благодарим Вас за удачный выбор и приобретение электрического инфракрасного обогревателя Hyundai. Он прослужит Вам долго.

ВВЕДЕНИЕ

Перед установкой и использованием прибора очень внимательно изучите данное руководство и гарантийные обязательства производителя. Сохраните руководство для дальнейшего использования в качестве справочного материала. В случае передачи другому пользователю передайте ему прибор вместе с данным руководством. Для получения дополнительной информации или в случае возникновения проблем посетите сайт Hyundai www.hyundai-hvac.com. Можно также обратиться в ближайший региональный сервисный центр производителя. Если в Вашем регионе не представлен сервисный центр производителя, обратитесь к региональному дилеру Hyundai. Содержание данного руководства было проверено и одобрено. Производитель не несёт ответственности за любые орфографические ошибки в тексте и неверное толкование содержания руководства. Внешний вид, характеристики и комплектация прибора могут быть изменены производителем без предварительного уведомления об этом.

1. ОБЗОР

Описание

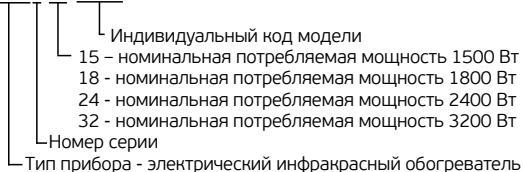
Инфракрасные обогреватели предназначены для локального обогрева зон в помещениях с высокими теплопотерями, или открытых площадок, в то время как обогреватели других типов, как правило малоэффективны в данных условиях.



Расшифровка артикула

серия
прибора

H-NCX-XX-Ц1XXX



Внешний вид

1. Излучающая пластина
2. Провод питания
3. Корпус обогревателя

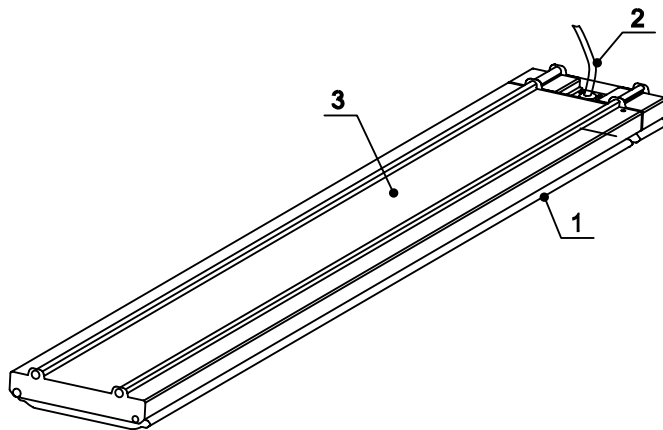


Рис. 1

Комплектация

1. Инфракрасный обогреватель - 1 шт
2. Крепёжный комплект - 1 шт
3. Руководство по эксплуатации и гарантийный талон - 1 шт

Технические параметры

Таблица 1

		H-NC1-15- UI571	H-NC1-18- UI572	H-NC1-24- UI573	H-NC1-32- UI574
Номинальное напряжение питания	В/Гц	~220/50	~220/50	~220/50	~220/50
Номинальная потребляемая мощность	Вт	1500	1800	2400	3200
Номинальная сила тока	А	6,8	8,2	10,9	14,5
Класс влагозащиты	-	IP65	IP65	IP65	IP65
Класс Электрозащиты	-	Class I	Class I	Class I	Class I
Площадь обогрева	м ²	14-16	18-22	22-25	31-35
Высота подвеса	м	2,7	3,0	3,5	3,8
Вес нетто	кг	4,3	5,0	6,1	7,6
Размеры	мм	50x980x160	50x1160x160	50x1440x160	50x1850x160

Более подробное описание технических параметров и характеристик смотрите на сайте www.hyundai-hvac.com или спрашивайте у официальных дилеров Hyundai.

RU



ВНИМАНИЕ!

Производитель оставляет за собой право для разных партий поставок без предварительного уведомления изменять комплектующие части изделия (включая заливаемые \ засыпаемые составляющие), не влияя при этом на основные технические параметры изделия или улучшая их, а также не нарушая изменениями принятые на территории страны производства \ транзита \ реализации стандарты качества и нормы законодательства.

Это может повлечь за собой изменение веса и габаритов изделия, но не более чем на +/- 5-20% (могут отличаться для разного вида изделий).



ПРИМЕЧАНИЕ:

Площадь обогрева в таблице указана ориентировочно, т.к. площадь обогрева зависит не только от мощности обогревателя, но и от типа помещения, высоты потолка, материала стен, потолков, количества и площади остекления, наличия дверей и др.

2. ПРАВИЛА БЕЗОПАСНОЙ ЭКСПЛУАТАЦИИ И УСТАНОВКИ ЭЛЕКТРИЧЕСКОГО ИНФРАКРАСНОГО ОБОГРЕВАТЕЛЯ

При эксплуатации электрического инфракрасного обогревателя соблюдайте правила безопасности. Неправильная эксплуатация в силу игнорирования данных правил может привести к причинению вреда здоровью пользователя и других людей, а также нанесения ущерба их имуществу. Производитель не несёт ответственности за причинённый вред здоровью и повреждение имущества в результате неправильной установки и эксплуатации прибора.

ОБЩИЕ ПРАВИЛА БЕЗОПАСНОСТИ

1. Прочитайте все инструкции перед использованием инфракрасного обогревателя.
2. Температура излучающих пластин при работе обогревателя может достигать 340°C. Чтобы избежать ожогов, не прикасайтесь руками и другими частями тела к поверхностям прибора, а также предотвратите возможность прикосновения, в том числе случайного, человека к излучающим пластинам обогревателя, с помощью инструктажа и размещения обогревателя в недоступном месте.
3. Обогреватель должен располагаться вдали от легковоспламеняющихся и легкодеформируемых объектов.
4. Не допускайте касания шнуром электропитания и другими предметами горячих поверхностей обогревателя.
5. Удостоверьтесь, что корпус обогревателя и его излучающие пластины остыли, прежде чем обогреватель будет демонтирован и уложен в упаковку для длительного хранения.
6. При демонтаже обогревателя или его перемещении соблюдайте особую осторожность, не допуская ударов прибора и его падения.
7. Когда обогреватель не используется долгое время, храните его в сухом прохладном месте в заводской картонной упаковке.
8. НЕ НАКРЫВАЙТЕ обогреватель. Не сушите на нём одежду и любые другие ткани и материалы. Это может привести к его перегреву, выходу из строя или причинить значительный ущерб Вам и/или вашему имуществу

RU



ВНИМАНИЕ!

Производитель рассматривает данный вид поломки, как не гарантийный случай.

9. Подключение обогревателя к электросети должно производиться к электрической сети, с автоматическим выключателем.
10. Никогда не подключайте обогреватель к электросети, если его поверхность влажная (мокрая).
11. Никогда не пытайтесь производить ремонт обогревателя самостоятельно. Это может причинить вред вашему здоровью и повлиять на гарантийное обслуживание обогревателя.
12. Запрещено эксплуатировать обогреватель в помещениях с взрывоопасной средой, с запылённой средой, а также со средой, вызывающей коррозию материалов.
13. Не допускайте эксплуатацию обогревателя без заземления.
14. Запрещено включать и эксплуатировать обогреватель со снятой крышкой.
15. Запрещено устанавливать и использовать обогреватель в ванных комнатах, душевых или бассейнах, именно в тех местах, где есть вероятность прямого попадания струй и

капель воды на его поверхность во время, когда прибор включен.

16. Запрещено эксплуатировать обогреватель в запылённых помещениях и во время проведения ремонта.

17. Запрещено дотрагиваться до излучающих пластин работающего (включенного на нагрев) обогревателя.

18. Используйте данный обогреватель только так, как описано в данном руководстве. Любое другое использование, не рекомендуемое изготовителем, может привести к пожару, поражению электрическим током или травмированию людей.

19. Ни в коем случае не выполняйте очистку обогревателя, когда он подключен к электросети и не протирайте излучающие пластины обогревателя легковоспламеняющимися жидкостями во время его эксплуатации.

20. Для нормальной работы обогревателя уровень напряжения в электросети должен быть достаточен, а ее технические параметры должны быть в строгом соответствии с техническими параметрами, указанными на корпусе прибора. При необходимости выясните характеристики своей сети у поставщика электроэнергии.

21. Устанавливайте и эксплуатируйте обогреватель на потолке, потолочных конструкциях или на стене, при этом термостойкость материала покрытия потолка должна быть не менее 80°C.

22. Запрещено устанавливать прибор в непосредственной близости от электрической розетки. Это может привести к её перегреву, что создаст аварийную ситуацию.

23. Прибор не предназначен для использования лицами (включая детей) с ограниченными физическими, сенсорными или умственными возможностями, обладающими недостаточным опытом и знаниями, если они не находятся под наблюдением и не получили инструкций по использованию устройства от лица, ответственного за их безопасность. Необходимо следить, чтобы дети не играли с обогревателем.

24. На поверхность излучающих пластин могут быть приклеены рекламные наклейки. Их необходимо удалить с поверхности перед началом эксплуатации прибора.

25. На обратной (тыльной) стороне прибора расположена предупреждающая наклейка.

Строго не рекомендуется удалять ее с поверхности, если только вы не решили присоединить к обогревателю автономный блок управления (поставляется отдельно).



3. УТИЛИЗАЦИЯ

По окончании срока службы электрический маслонаполненный радиатор следует утилизировать. Подробную информацию по утилизации Вы можете получить у представителя местного органа власти.

Срок службы прибора указан в гарантийном талоне.

4. СБОРКА И УСТАНОВКА

МИНИМАЛЬНЫЕ РАССТОЯНИЯ ОТ ОБОГРЕВАТЕЛЯ ДО ДРУГИХ ПОВЕРХНОСТЕЙ

Настенная установка с наклоном

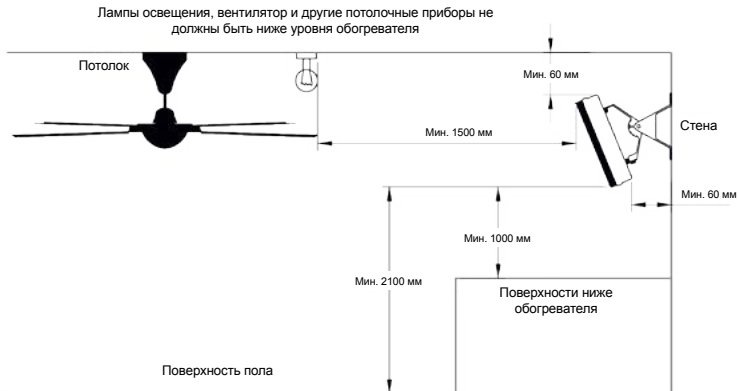


Рис. 2

Потолочная установка

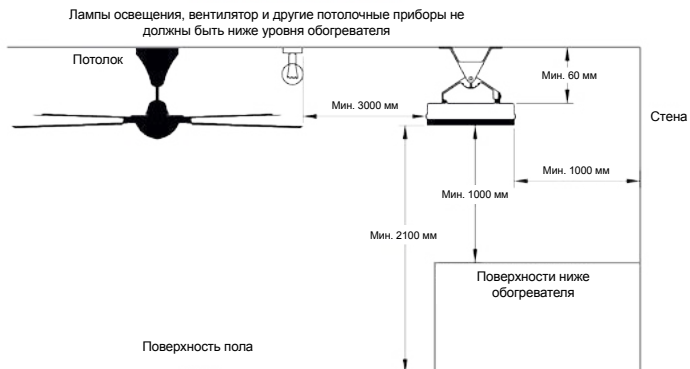


Рис. 3



Потолочная установка с наклоном

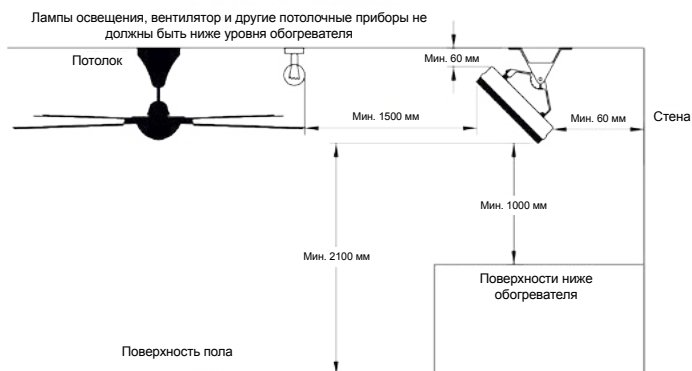


Fig. 4

Установка потолочных креплений

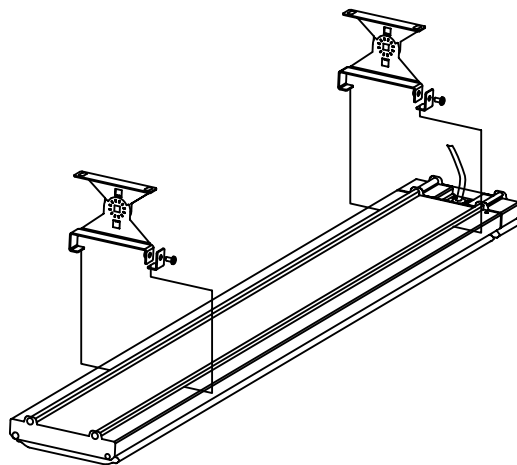
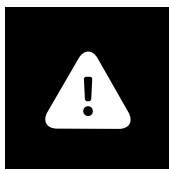


Fig. 5

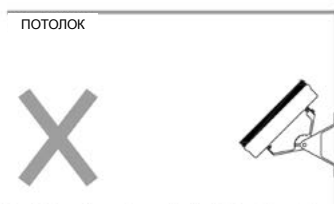
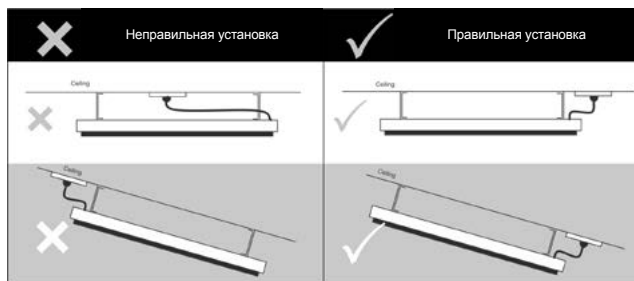


ВНИМАНИЕ!

При длительном нахождении в зоне обогрева расстояние от излучающих пластин обогревателя до человека или животного при температуре воздуха в помещении ниже +11°C должно быть не менее 1,8 м.

МОНТАЖ ИНФРАКРАСНОГО ОБОГРЕВАТЕЛЯ

1. Раскройте заводскую упаковку и аккуратно извлеките из неё обогреватель.
2. Достаньте крепёжный комплект.
3. В соответствии с рис. 2, 3, 4 определите место установки обогревателя на потолке или на потолочных конструкциях с соблюдением минимальных расстояний от предметов и минимального расстояния от пола.
4. Установите кронштейны на расстоянии друг от друга в соответствии с рис. 5, закрепив их с помощью цепи или крепежа.
5. Подвесьте обогреватель на кронштейны, закрепив сначала один край, а потом другой. Убедитесь, что винты надёжно затянуты.

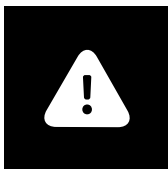


Никогда не направляйте нагревающую поверхность в сторону потолка

Fig. 6

ВНИМАНИЕ!

Работы по монтажу инфракрасного обогревателя и подключению его к электрической сети должны производить только квалифицированные специалисты в соответствии с «Правилами устройства электроустановок» и «Правилами техники безопасности при эксплуатации электроустановок».

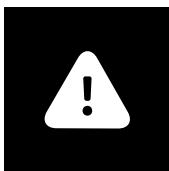




ПРИМЕЧАНИЕ:

1. В зависимости от материала и устройства потолочных конструкций, обогреватель крепится на соответствующие крепёжные элементы, выбираемые из условия прочности. Прочность потолка, либо конструкций, за которые крепится обогреватель, должна быть достаточной, чтобы выдерживать 5-кратную массу обогревателя.

2. Конструкция инфракрасного обогревателя допускает его установку на стене на высоте не менее 1,80 м. от пола и с дополнительной защитой от контакта с нагревательным элементом прибора.



ВНИМАНИЕ!

После установки обогревателя, перед первым включением необходимо протереть излучающую пластину спиртом, после чего прикасаться к излучающей пластине ЗАПРЕЩЕНО.

5. ПОДКЛЮЧЕНИЕ К ЭЛЕКТРИЧЕСКОЙ СЕТИ

1. Обогреватель предназначен для подключения к электрической сети с однофазным напряжением ~220В, 50Гц и контуром заземления.

2. Перед подключением убедитесь, что параметры электросети в месте подключения соответствуют параметрам, указанным на маркировочной табличке с техническими данными прибора.

3. Подключение обогревателя к электрической сети следует производить кабелем с сечением жил не менее 1,5 мм² и установкой в электрической сети автоматического выключателя с номинальной силой тока не ниже 16А.

4. Для подключения обогревателя к электрической сети необходимо:

- снять крышку с обогревателя, прорезать отверстие в резиновом уплотнении, ввести электрический кабель в обогреватель, закрепить оголённые концы электрического кабеля в соединительной колодке обогревателя, жёстко притянув их винтами, в строгом соответствии с нанесённой на ней маркировкой, установить крышку на место.

5. Электрическая розетка должна быть правильно заземлена. Розетка должна быть рассчитана на номинальный ток не менее 10А для моделей с максимальной мощностью до 2000 Вт, и не менее 16А для моделей с максимальной мощностью более 2000 Вт. Электрические розетка и вилка должны всегда оставаться сухими во избежание утечки электрического тока. Регулярно проверяйте, что электрическая вилка плотно подключена к розетке. Проверку производите в следующем порядке: вставьте электрическую вилку в розетку. Через полчаса работы выключите прибор и выньте вилку из розетки, проверьте рукой, не нагрелась ли вилка. Если вилка нагрелась до температуры выше 50°C, во избежание повреждений, происшествий, возникновения пожара в результате плохого электрического контакта замените розетку на другую. Это должен делать специалист.



**ПРИМЕЧАНИЕ:**

Инструкция по подключению блока дистанционного управления, приобретаемого отдельно, находится в его упаковке.

**ВНИМАНИЕ!**

Электрическая розетка должна быть рассчитана на номинальный ток не менее 10А для моделей с максимальной мощностью до 1800 Вт и не менее 16А для моделей с максимальной мощностью более 1800 Вт. Электрический кабель с жилой сечением не менее 3x1,5 мм² (для меди)

6. ЭКСПЛУАТАЦИЯ

RU

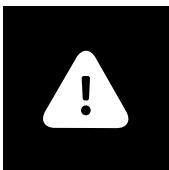
1. Перед включением обогревателя, с целью исключения появления жженных пятен, следует тщательно протереть поверхность излучающих пластин сначала мягкой тряпкой, смоченной в спирте, а затем сухой.
2. После включения и выхода на рабочий режим, прибор начинает излучать инфракрасные лучи и обогревать предметы и тела.
3. Для исключения неприятного жженого запаха рекомендуется содержать обогреватель в чистоте, не допуская скапливания на нём пыли.

**ВНИМАНИЕ!**

При эксплуатации могут быть слышны легкие потрескивания в момент нагрева или остывания, исчезающие с выходом обогревателя на рабочий режим.

**ПРИМЕЧАНИЕ:**

Дефектом не является изменение цвета краски на стенке корпуса обогревателя, обращённой к потолку, и изменение цвета излучающих пластин.

**ВНИМАНИЕ!**

Для нормальной работы прибора уровень напряжения в электросети должен быть достаточен в строгом соответствии с указанными на приборе техническими параметрами. Внимательно изучите техническую наклейку, а также все наклейки со специальными предупреждениями, которые расположены на поверхности прибора.

7. ПРИНЦИПИАЛЬНАЯ ЭЛЕКТРИЧЕСКАЯ СХЕМА

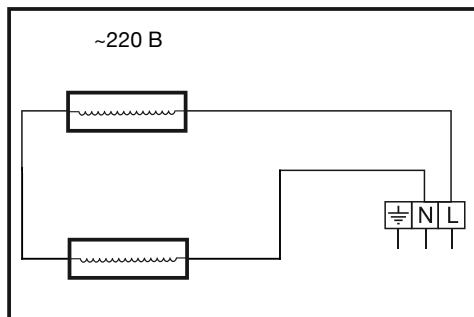


Рис. 7

8. ОБСЛУЖИВАНИЕ



ВНИМАНИЕ!

См. «Правила безопасной эксплуатации и установки электрического инфракрасного обогревателя»



- 1 При эксплуатации необходимо периодически (1 раз в год) проводить проверку исправности контактов электрического кабеля, затяжку клеммных разъемов.
- 2 Перед проведением профилактических работ по чистке прибора, выключите прибор, отсоедините его от электрической сети и дайте прибору остыть.
- 3 При загрязнении корпуса пыль протирать влажной салфеткой, излучающие пластины, в холодном состоянии, протирать спиртом.
4. Протирая прибор мягкой, слегка влажной тряпкой/куском ткани. Ткань не должна оставлять ворса на поверхности прибора
5. Не рекомендуется использовать моющие средства, в том числе средства с абразивными составами.
6. В процессе чистки, пожалуйста, не допускайте повреждения поверхности прибора острыми предметами (жесткая губка, наждачная бумага и т.п.). Царапины на окрашенной поверхности могут привести к образованию ржавчины.
7. Включайте и используйте прибор снова, только выполнив все «Правила безопасной эксплуатации и установки электрического инфракрасного обогревателя»; также обязательно убедитесь, что поверхность прибора абсолютно сухая.

**ПРИМЕЧАНИЕ:**

Излучающие пластины протирать мягкой тряпкой смоченной в спирте, не оставляющей после себя на поверхности царапин. Использование других жидкостей запрещено!

Неисправность	Причина	Способ устранения
Обогреватель плохо греет	<ul style="list-style-type: none"> • Неисправен нагревательный элемент • Низкое напряжение в электросети 	<ul style="list-style-type: none"> • Обратиться в авторизованный сервисный центр «Hyundai» • Проверить напряжение в электросети
Обогреватель не работает	<ul style="list-style-type: none"> • Отсутствует напряжение в электросети • Обрыв электрического кабеля • Неисправен автоматический выключатель электрической сети • Обрыв в цепи нагревательного элемента 	<ul style="list-style-type: none"> • Проверить наличие напряжения в электросети • Проверить целостность электрического кабеля и при необходимости его замены обратиться в авторизованный сервисный центр «Hyundai» • Проверить работоспособность автоматического выключателя электрической сети и при необходимости неисправный выключатель заменить. • Обратиться в авторизованный сервисный центр «Hyundai»

9. ТРАНСПОРТИРОВКА И ХРАНЕНИЕ

1. Прибор в упаковке изготовителя можно транспортировать на любое расстояние всеми видами закрытого транспорта при температуре от -50°C до $+50^{\circ}\text{C}$ и относительной влажности до 80% (при температуре воздуха $+25^{\circ}\text{C}$) в соответствии с правилами перевозки грузов, действующих на данном виде транспорта.
2. При транспортировании должны быть исключены любые возможные удары и перемещения упаковки внутри транспортного средства.
3. Упакованный прибор должен храниться в крытых вентилируемых помещениях при температуре воздуха -30°C до $+50^{\circ}\text{C}$ при относительной влажности до 80% (при температуре воздуха $+25^{\circ}\text{C}$). В помещении не должно быть агрессивных примесей, вызывающих коррозию.
4. При транспортировке и хранении должны строго соблюдаться требования манипуляционных знаков на упаковке прибора.

Мы изучаем новые технологии и постоянно улучшаем качество нашей продукции. Технические характеристики, конструкция и комплектация могут быть изменены без предварительного уведомления.

10. СЕРТИФИКАЦИЯ

При отсутствии копии нового сертификата в коробке, спрашивайте копию у продавца.

Серийный номер изделия, месяц и год изготовления указаны в составе UNIT CODE кода изделия, наклеенного на изделие и/или упаковку изделия. Месяц и последние цифры года внутри кода расположены после знака @ и знака тире в указанном порядке.



28.

HYUNDAI

Электрический инфракрасный обогреватель

УВАЖАЕМЫЙ ПОКУПАТЕЛЬ!

Мы всегда рады предложить Вашему вниманию удобные пользовательские сервисы и продукты, нацеленные на то, чтобы сделать использование и обслуживание техники Hyundai еще более комфортным и удобным.

Именно поэтому мы рекомендуем Вам воспользоваться услугами специализированного портала www.btpart.ru, с помощью которого Вы можете заказать и оформить доставку всех необходимых расходных материалов и запчастей в течение гарантированного срока.

Всю дополнительную информацию о работе портала Вы можете найти на сайте www.hyundai-hvac.com.

A black hexagonal logo with the white text "RU" inside, representing the Russian market.

Электрический инфракрасный обогреватель

HYUNDAI

| 29.



HYUNDAI



Гарантийный талон

Территория действия:
Российская Федерация

Уважаемый покупатель! Обратите особое внимание на стр. 42

Действителен с Января 2014 года



Гарантийные обязательства Бытовое изделие Hyundai

Гарантийное обслуживание и ремонт бытовой техники Hyundai с соблюдением требований и норм Изготовителя (Hyundai) производятся на территории РФ только в фирменных сервисных центрах Изготовителя или мастерских, уполномоченных производителем и работающих с ним на основании договора. Срок проведения экспертизы и гарантийного ремонта - не более 45 дней с момента приемки дефектного изделия авторизованным сервисным центром Hyundai.

Если при эксплуатации изделия Вы столкнулись с неполадками в его работе, которые Вы не можете устранить самостоятельно в строгом соответствии с Руководством по эксплуатации изделия, обратитесь к региональному представителю Изготовителя в России или в региональный авторизованный сервисный центр Hyundai, уточнив адрес у продавца. Полный перечень сервисных центров указан на сайте www.hc-hvac.ru или приложен отдельным списком в комплекте с изделием.

Вы можете обратиться в уполномоченную сервисную службу Изготовителя по телефону **+7 (495) 627-5285**, либо по телефонам, указанным на сайте www.hc-hvac.ru, или отправить сообщение по электронному адресу service@hc-hvac.ru

Гарантируется безотказная работа изделия в соответствии со сроками, указанными в гарантийном талоне. Обязательно ознакомьтесь с условиями гарантийных обязательств и купите от продавца правильный и четкого заполнения гарантийного талона.



ВНИМАНИЕ!

Сервисная сеть Hyundai рассматривает гарантийные требования при наличии правильно заполненного оригинального гарантийного талона установленного Изготовителем образца, товарного (кассового) чека или другого документа, подтверждающего дату и факт продажи на территории РФ.

Если отсутствие надлежащим образом заполненного гарантийного талона на изделие или отсутствие чека с указанием изделия не позволяет идентифицировать изделие и факт его продажи на территории РФ, то Изготовитель вправе отказать в гарантийном обслуживании изделия.

При невозможности определить дату продажи изделия, гарантийный срок исчисляется с даты его производства.

Дата производства изделия определяется по реестру Изготовителя в соответствии с серийным номером изделия.

На каждое изделие выписывается отдельный гарантийный талон.

Дорогой покупатель техники Hyundai,

мы выражаем Вам огромную признательность за Ваш выбор. Hyundai сделал все возможное, чтобы данное изделие удовлетворяло Вашим запросам, приносило радость и уют в Ваш дом, а качество соответствовало лучшим мировым образцам для данного класса изделия. Официальные сроки службы на изделия Hyundai разных видов, предназначенных для использования в быту, установлены изготовителем:

- для электрических конвекторов - до 20 лет;
- для кондиционеров воздуха, осушителей - 10 лет;
- электрических тепловых пушек и завес - 7 лет;
- инфракрасных обогревателей - 8 лет;

- электрических водонагревателей проточного типа - 3 года;
- электрических водонагревателей накопительного типа - 10 лет;
- остальных изделий - от 3 до 5 лет.

Указанные сроки службы действительны только при условии соблюдения правил эксплуатации и правильного ухода за изделиями. Полную информацию об официальных сроках службы для выбранной Вами модели Вы сможете найти на сайте www.hc-hvac.ru. Учитывая высокое качество, надежность и степень безопасности продукции Hyundai, фактический срок эксплуатации может значительно превышать официальный.

Заполнение гарантийного талона

Во избежание недоразумений убедительно просим Вас внимательно изучить Руководство по эксплуатации изделия и условия гарантийных обязательств, проверить правильность заполнения гарантийного талона. Согласно требованиям Изготовителя, гарантийный талон действителен только при наличии четко и правильно указанных данных: модели, серийного номера изделия, даты покупки, данных фирмы-продавца, подписи покупателя. Соответствующие данные также должны быть указаны продавцом на отрывных талонах. В отдельных случаях в гарантийном талоне обязательным является указание даты запуска изделия в эксплуатацию и штамп уполномоченной организации, производшей запуск в эксплуатацию (для изделий, требующих монтажа или предпусковой подготовки сертифицированным специалистом в соответствии с Руководством по эксплуатации). При проведении планового профилактического обслуживания изделия (там где это необходимо согласно руководству по эксплуатации) специалист сервисного центра обязан заполнить соответствующую часть гарантийного талона, поставить подпись и печать сервисного центра. Модель и серийный номер изделия (на маркировочной (идентификационной) наклейке Изготовителя на изделии (ID) должны соответствовать указанным в гарантийном талоне продавцом. При нарушении этих условий, а также в случае, когда данные, указанные в гарантийном талоне, изменены или стерты, талон может быть признан недействительным.



ВНИМАНИЕ!

Производитель рекомендует приобретать приборы Hyundai только у авторизованных продавцов.

Общие гарантийные условия

Данным гарантийным талоном Изготовитель подтверждает принятие на себя обязательств по удовлетворению законных требований потребителей в случае обнаружения недостатков изделия, возникших по вине Изготовителя в течение установленного гарантийного срока. Сроки действия гарантии на отдельные типы изделий указаны на стр. 30. Гарантийные обязательства дополняют и уточняют оговоренные законом обязательства, предполагающие соглашение сторон либо договор; выдаются Изготовителем в дополнение к законным правам потребителей и ни в коей мере их не ограничивают. Гарантия Изготовителя действительна только на территории РФ на изделия, купленные на территории РФ и изготовленные для РФ. Наличие надлежащим образом заполненного гарантийного талона и чека необходимо в целях возможности идентификации таковых изделий и факта их законной продажи на территории РФ.

Изготовитель оставляет за собой право:

- отказать в гарантийном сервисном обслуживании изделия в случае несоблюдения изложенных ниже условий (см. «Досрочное прекращение гарантийного обслуживания»);
- самостоятельно инициировать независимую экспертизу для выяснения обстоятельств, приведших к выходу прибора из строя;
- сравнивать предоставленную маркировочную (идентификационную) наклейку изделия (ID) с данными реестров производства для проверки соответствия серийного номера изделия уникальным производственным номерам реестров.
- предоставлять дополнительную гарантию; информация об условиях дополнительной гарантии содержится на сайте www.hc-hvac.ru.



Просим Вас хранить Гарантийный талон в течение всего гарантийного срока, установленного Изготовителем на приобретенное Вами изделие.

При покупке изделия требуйте от продавца проверку его комплектности и отсутствия механических повреждений в Вашем присутствии, а также правильного и четкого заполнения данного гарантийного талона. Претензии по некомплектности и выявленным механическим повреждениям после продажи не принимаются. Для гарантийного ремонта предъявляйте Гарантийный талон вместе с чеком покупки с указанной датой покупки.



Общие правила установки, подключения и запуска в эксплуатацию изделий, для которых требуется выполнение этих работ специализированными организациями.

Установка, подключение и запуск в эксплуатацию изделий торговой марки Hyundai допускается исключительно специалистами и организациями, имеющими лицензии или соответствующие разрешения (допуски) на данный вид деятельности, либо специалистами и организациями, авторизованными для монтажа и/или обслуживания данного вида техники. О необходимости проведения тех или иных монтажных и/или сервисных работ специализированными организациями Вы можете узнать, внимательно ознакомившись с Руководством по эксплуатации на приобретенное Вами изделие.

Для монтажа приобретенного оборудования Вы можете воспользоваться платной услугой специалистов авторизованных сервисных центров Hyundai, которые проведут все необходимые работы для длительного и безопасного использования приобретенного Вами изделия. Вы можете также воспользоваться услугами любых других квалифицированных специалистов, однако, в этом случае, если изделие вышло из строя вследствие неправильной установки и подключения, Вы теряете право на бесплатное гарантийное обслуживание.

Досрочное прекращение гарантийного обслуживания.

Все условия гарантийного обслуживания регулируются Законодательством РФ и Законом РФ «О защите прав потребителей». В частности, отказ в бесплатном гарантийном обслуживании изделия может быть вызван:

- нарушением при оформлении гарантийного талона при продаже изделия;

- отсутствием товарного или кассового чека о продаже изделия или невозможностью определить продавца изделия;
- наличием следов механических повреждений, возникших после передачи изделия потребителю и явившихся возможной причиной возникновения дефекта;
- наличием повреждений, вызванных несоответствием стандартам параметров питающих сетей и других подобных внешних факторов, а также вызванных использованием нестандартных, неоригинальных (или некачественных) аксессуаров, принадлежностей, запасных частей, элементов и т.д.;
- нарушением правил Руководства по эксплуатации данного изделия;
- наличием следов несанкционированного вскрытия и/или ремонта изделия (за исключением случаев, предусмотренных Руководством по эксплуатации), повлекших за собой отказ в работе изделия;
- дефектом или отказом системы или ее части, где изделие использовалось как часть системы и это могло привести к дефекту или отказу изделия.



ВНИМАНИЕ!

Если в результате экспертизы/диагностики изделия установлено, что его недостатки возникли вследствие обстоятельств, за которые не отвечает продавец (изготовитель), либо недостатки в товаре отсутствуют, Потребитель обязан возместить продавцу (изготовителю или уполномоченной изготовителем организации) расходы на проведение экспертизы (диагностики, а также связанные с ее проведением расходы на хранение и транспортировку товара) в соответствии с Законом РФ «О защите прав потребителей» № 171-ФЗ в ред. от 21.12.2004 ст. 18 п.5.



Гарантийные обязательства не распространяются на перечисленные ниже части и принадлежности изделия, если их замена не связана с разборкой самого изделия или их замена требуется при профилактическом обслуживании:

- внешние блоки питания и зарядные устройства;
- соединительные герметизирующие прокладки, переходники и переключатели;
- монтажные приспособления, инструмент и документацию, прилагаемую к изделию.
- расходные части изделия, подразумевающие периодическую замену за счет потребителя (анодные стержни, герметизирующие прокладки, фильтрующие элементы и др.);
- части и узлы изделия, неисправность которых связана с естественным износом в процессе эксплуатации (фильтрующие элементы, приводные ремни, ролики, свечи зажигания, втулки, подшипники и т.д.);
- материалы, наклеенные на изделие, имеющие рекламное или информационное назначение, за исключением маркировочной (идентификационной) наклейки Изготовителя (ID).



ВНИМАНИЕ!

Если маркировочная (идентификационная) наклейка на изделие Hyundai (ID) закреплена на изделии не плотно и существует риск ее утери, то вклейте ее в гарантийный талон на последней странице.

Изготовитель не несет гарантийных обязательств за изделие в следующих случаях:

- если изделие использовалось в иных целях, не соответствующих его прямому назначению в соответствии с Руководством по эксплуатации;
- если на изделии отсутствует маркировочная (идентификационная) табличка Изготовителя (ID);
- если изделие имеет следы несанкционированного вскрытия, не предусмотренного Руководством по эксплуатации, и попыток неквалифицированного ремонта;
- если дефект вызван изменением/нарушением конструкции или схемы изделия, не предусмотренным Изготовителем;
- если обнаружены повреждения, вызванные попаданием внутрь изделия посторонних предметов, веществ, жидкостей, насекомых, скоплением большого количества пыли;
- если обнаружены повреждения, связанные с замерзанием внутри прибора жидкостей, отложением накипи на нагревательных элементах и внутренних поверхностях прибора, вызванных большим содержанием в воде солей железа, натрия, кальция, марганца и др.;
- если обнаружены повреждения, вызванные подключением к сетям (электрической, водопроводной) с недопустимыми параметрами;
- если дефект вызван действием непреодолимых сил, несчастными случаями, умышленными или неосторожными действиями потребителя или третьих лиц;
- если нарушены требования Изготовителя по проведению обязательных для сохранения гарантии и продления срока службы профилактических работ, описанных в Руководстве по эксплуатации;
- неправильного хранения (консервации / разборки-сборки на период хранения) изделия;
- если монтаж и использование изделия производится без разрешительной документации исполнительных органов власти субъектов РФ там, где подобная документация требуется в соответствии с требованиями законодательства РФ (в т.ч. Жилищного Кодекса РФ);
- в случае эксплуатации изделия с неправильно отрегулированными газовыми клапанами, газовыми или гидравлическими редукторами, прочими блоками и устройствами, требующими предварительной и/или периодической настройки и регулировки (если данные виды работ производились неуполномоченными на то организациями или лицами, либо были нарушены сроки проведения плановых регламентных/профилактических работ согласно Руководству по эксплуатации).

Изготовитель снимает с себя любую ответственность за возможный вред, прямо и или косвенно нанесенный продукцией Hyundai людям, домашним животным, и имуществу, в случаях, если это произошло в результате несоблюдения правил и условий эксплуатации или вследствие неквалифицированной установки (профилактики, обслуживания, ремонта) изделия, умышленных или неосторожных действий потребителя или третьих лиц.

Особые условия гарантийного обслуживания для отдельных типов техники.

Газовое оборудование

Гарантия Изготовителя имеет силу только в случае установки, подключения и пуска в эксплуатацию газового оборудования (газовые котлы, обогреватели и водонагреватели) авторизованной специализированной организацией с обязательным составлением Акта запуска в эксплуатацию и указанием в гарантийном талоне даты запуска и штампа организации, произведшей первый запуск. Исключение составляют изделия, для которых Руководством по эксплуатации предусмотрены самостоятельные установка, подключение и



запуск в эксплуатацию самим потребителем.

Организация, производящая запуск в эксплуатацию и/или последующее сервисное обслуживание газового оборудования, должна иметь лицензии и/или разрешения на соответствующий вид деятельности (вид работ), а специалисты этой организации должны иметь соответствующие удостоверения (допуски) на проведение газовых работ.



Помните!

Изготовитель/импортер/продавец не несет ответственности в случае возникновения недостатков изделия из-за неправильных/некачественных монтажных, пусконаладочных, сервисных, профилактических работ неавторизованными организациями и специалистами.

Водонагревательное оборудование

Гарантийные обязательства Изготовителя не распространяются на случаи:

- если обнаружены повреждения, связанные с замерзанием внутри прибора жидкостей, отложением накипи на нагревательных элементах и внутренних поверхностях прибора, вызванных большим содержанием в воде солей железа, натрия, кальция, марганца и др.;
- если обнаружены повреждения, вызванные подключением к сетям (электрической, водопроводной) с недопустимыми параметрами, даже в случае кратковременного и однократного превышения параметров, указанных на маркировочной табличке Изготовителя на приборе и в Руководстве по эксплуатации на изделие;
- если водонагреватель эксплуатировался без защитных устройств или совместно с устройствами, имеющими не соответствующие водонагревателю технические характеристики и/или не рекомендованными Изготовителем (см. на сайте www.hc-hvac.ru или в Руководстве по эксплуатации);
- если обнаружены повреждения внутренних эмалированных емкостей из-за коррозии вследствие несвоевременной замены анодного стержня;
- если прибор вышел из строя в случае неиспользования потребителем умягчителя воды в районах, где вода по жесткости отличается от нормативов, принятых Изготовителем (см. на сайте www.hc-hvac.ru или в Руководстве по эксплуатации).

Таблица 1

Рекомендуемые профилактические работы для увеличения срока гарантии на внутреннюю ёмкость водонагревателя и нагревательный(-е) элемент (-ы), а также для выполнения условия долговременной работы водонагревателя в рамках заявленного срока службы и более.

Наименование рекомендуемых профилактических работ	Периодичность выполнения рекомендуемых профилактических работ для увеличения гарантии на нагревательный (-е) элемент (-ы)	Периодичность выполнения рекомендуемых профилактических работ для увеличения гарантии на внутреннюю ёмкость
Первоначальная проверка наличия и интенсивности образования накипи на нагревательном (-ых) элементе (-ах), определение сроков последующей проверки и удаления накипи, а также при необходимости удаление накипи с нагревательного (-ых) элемента (-ов).	Через первые 0,5 года после начала эксплуатации	-
Удаление накипи с нагревательного (-ых) элемента (-ов).	Не реже 1 раза в год или чаще в зависимости от определения интенсивности образования накипи на нагревательном (-ых) элементе (-ах), при первоначальной проверке.	-
Первоначальная проверка интенсивности образования накипи и осадка во внутренней ёмкости, определение сроков последующей проверки и очистки водонагревателя, а также при необходимости очистка водонагревателя.	-	Через первые 0,5 года после начала эксплуатации
Очистка внутренней ёмкости водонагревателя.	Не реже 1 раза в год или чаще в зависимости от определения интенсивности образования накипи и осадка во внутренней ёмкости, при первоначальной проверке.	Не реже 1 раза в год или чаще в зависимости от определения интенсивности образования накипи и осадка во внутренней ёмкости, при первоначальной проверке.



Первоначальная проверка состояния магниевого анода, интенсивности его разложения, определения сроков последующей проверки и замены магниевого анода, а также при необходимости его замены.	Через первые 0,5 года после начала эксплуатации	Через первые 0,5 года после начала эксплуатации
Замена магниевого анода.	Не реже 1 раза в год или чаще в зависимости от определения интенсивности разложения магниевого анода, при первоначальной проверке.	Не реже 1 раза в год или чаще в зависимости от определения интенсивности разложения магниевого анода, при первоначальной проверке.



ПРИМЕЧАНИЕ:

Периодичность профилактического обслуживания, а также сроки замены анодного стержня для водонагревателей устанавливаются мастером авторизованного сервисного центра при первом плановом обслуживании и определяется исходя из условий эксплуатации водонагревателя, жесткости и степени загрязненности воды. При проведении работ специалистом сервисного центра должна быть произведена соответствующая отметка в гарантийном талоне. При самостоятельном проведении замены анодного стержня владелец должен сохранять чеки на покупку анодного стержня.



Кондиционеры, устройства с компрессором

Гарантийные обязательства Изготовителя не распространяются на случаи:

- если покупатель самостоятельно без учета рекомендаций Изготовителя и продавца купил кондиционер надлежащего качества и установил в помещении, для которого изделие не подходит по своим техническим характеристикам;
- некачественного монтажа неавторизованной организацией/частными лицами, если не была правильно проведена вакуумизация трубопроводов, была проведена заправка недостаточного количества хладагента или допущены другие ошибки при монтаже (перегиб трубопроводов,
- негоризонтальное расположение блоков, нарушение допустимых перепадов высот установки между блоками и т.д.);
- эксплуатации изделия в недопустимых условиях и с нарушением режимов работы, прописанных в Руководстве по эксплуатации (например, использование режима обогрева сплит-системой при наружной температуре ниже -5°C без специального предохранительного от низкой температуры комплекта);
- если неисправность была вызвана нарушением сроков периодического обслуживания изделия;
- если неисправность была вызвана сильными загрязнениями фильтров и/или испарителя/конденсатора пылью, листвой, насекомыми и другими предметами.

Таблица 1

Рекомендуемые профилактические работы для увеличения срока гарантии на компрессор кондиционера, а также для выполнения условия долговременной работы кондиционера, в рамках заявленного срока службы и более.

Наименование рекомендуемых профилактических работ	Для бытовых помещений		Для офисных помещений		Для торговых помещений	
	Рекомендуемый интервал	Рекомендуемые сроки	Рекомендуемый интервал	Рекомендуемые сроки	Рекомендуемый интервал	Рекомендуемые сроки
Чистка теплообменников внешнего и внутреннего блоков						
Мойка ванны для сбора конденсата						
Продувка трубопровода конденсата	Не реже 1-го раза в год	Июль	Не реже 2-х раз в год	Май, август	Не реже 3-х раз в год	Май, июль, сентябрь
Общая проверка системы						
Дозаправка (при необходимости)						



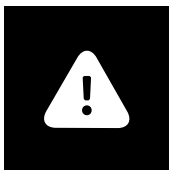
Электрические обогреватели

- Гарантийные обязательства Изготовителя не распространяются на случаи:
- если обогреватель эксплуатировался в положении, отличном от указанного в Руководстве по эксплуатации на данный прибор;
- если неисправность изделия возникла в результате попадания внутрь изделия посторонних предметов, веществ, жидкостей, насекомых, скоплением большого количества пыли;
- если в процессе эксплуатации был затруднен проход воздуха через вентиляционные отверстия и решетки (например, прибор накрывался какими-либо предметами, шторами, производилась сушка одежды без использования специальных, предусмотренных Изготовителем в Руководстве по эксплуатации устройств, большое скопление пыли снаружи и внутри прибора и т.д.)



ВНИМАНИЕ!

Если вы устанавливаете электрический конвектор без защиты от опрокидывания на ножки, то гарантия на прибор считается аннулированной, и потребитель осуществляет ремонт прибора полностью за свой счет. Электрические конвекторы с защитой от опрокидывания имеют специальную информацию на упаковочной коробке, также эта информация содержится в инструкции по эксплуатации прибора.



ВНИМАНИЕ!

Пожалуйста, потребуйте от продавца полностью, четко и правильно заполнить бланк Гарантийного талона.

Стандартные гарантийные сроки для изделий, произведенных начиная с 01.01.2014 и имеющих ID установленной формы (см. рис. 1):

- электрические кондиционеры воздуха, осушители воздуха, электрические маслонаполненные радиаторы, тепловые пушки, завесы - 2 года;
- электрические конвекторы, конвекционные радиаторы, панели, прочие электрические и газовые приборы (в т.ч. водонагреватели) - 1 год.

В части гарантии действуют дополнительные нормы, увеличивающие срок гарантии для различных компонентов ряда изделий:

Накопительные водонагреватели:

- Гарантия на течь емкости баков объемом более 30 литров включительно - 2 года (5 лет*);
- гарантия на течь емкости баков объемом менее 30 литров - 2 года (3 года*);
- гарантия на нагревательные элементы - 3 года*

Электрические конвекторы:

- нагревательный элемент серии - 3 года*

Кондиционеры воздуха:

- компрессор сплит-систем - 3 года*

* - **увеличенная гарантия** на отдельные компоненты и узлы изделий действует только при условии регулярного проведения периодического обслуживания изделия специалистами авторизованного сервисного центра. После каждого обслуживания в гарантийном талоне должны проставляться печати сервисного центра, подтверждающие факт прохождения

обслуживания. Если пользователь пропускает хотя бы одно обслуживание, то увеличенная гарантия на указанный компонент перестает действовать, и гарантия остается стандартной, как на весь прибор в целом. Перечень профилактических работ, а также примерные сроки прохождения периодического обслуживания, указаны в таблицах 1 и 2.



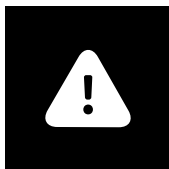
Рис. 1



ВНИМАНИЕ!

Техническое (профилактическое) обслуживание изделия (в т.ч. замена магниевого анода водонагревателя) не входит в гарантийные обязательства изготовителя и продавца и является дополнительной платной услугой.

Для ряда территорий могут действовать исключительные правила гарантии, увеличивающие срок на изделие или компоненты. Такие правила устанавливаются только по распоряжению Производителя официальным письмом Производителя.



ВНИМАНИЕ!

Если изделие использовалось в соответствии с его целями применения, установленными Руководством по эксплуатации, в рамках осуществления предпринимательской деятельности, то гарантийный срок изделия составляет 3 (три) месяца с момента продажи изделия или 5 (пять) месяцев с момента производства изделия, если дата продажи не установлена*. Срок проведения экспертизы и гарантийного ремонта - не более 45 дней с момента приемки дефектного изделия авторизованным сервисным центром Hyundai.



ВНИМАНИЕ!

Большинство приборов торговой марки Hyundai требуют профессиональных консультаций со специалистами соответствующей квалификации в процессе подбора, а также при вводе их в эксплуатацию. Производитель рекомендует приобретать приборы Hyundai только у авторизованных им продавцов. В предоставлении дополнительной гарантии может быть отказано, если прибор Hyundai был приобретен у продавцов, указанных соответствующем разделе на сайте www.hs-hvac.ru, не исполняющих полностью или частично требований производителя к правилам обслуживания покупателей, а также требований производителя к предоставлению стандартных условий приобретения приборов Hyundai.

* Кроме кондиционеров воздуха, смотри стр. 28

Покупатель информирован о том, что он не вправе требовать возврата или обмена купленного изделия в порядке статьи 25 Закона «О защите прав потребителей» и статьи 502 Гражданского Кодекса РФ в соответствии с п.11 «Перечня непродовольственных товаров надлежащего качества, не подлежащих возврату или обмену на аналогичный товар другого размера, формы, габарита, фасона, расцветки или комплектации» Постановления Правительства РФ от 19.01.1998 г. №55.

Подписывая данный гарантийный талон, Покупатель признает, что он:

1. Проверил заполнение информации на стр. 43
2. Получил Руководство по эксплуатации на изделие на русском языке.
3. Владеет всей необходимой информацией о приобретенном изделии и его потребительских свойствах, характеристиках в соответствии со статьей 10 Закона РФ «О защите прав потребителей».
4. Ознакомлен и полностью согласен с условиями и ограничениями гарантийного обслуживания, а также с условиями установки / подключения / сервисного обслуживания / эксплуатации приобретенного изделия.
5. Не имеет претензий к внешнему виду / комплектности / работоспособности (если прибор проверялся в его присутствии при продаже) приобретенного изделия.



Подпись покупателя (с расшифровкой)

_____ / _____

Дата

Гарантийный талон



ВНИМАНИЕ!

Пожалуйста, потребуйте от продавца полностью заполнить гарантийный талон и отрывные талоны.

Заполняется фирмой-продавцом

Изделие
Модель
Серийный номер
Дата продажи
Фирма-продавец
Адрес фирмы-продавца
Телефон фирмы-продавца



Без подписи покупателя на странице 32 Гарантийный талон является недействительным.

Заполняется установщиком

Сведения об установке изделия

Фирма-установщик
Номер сертификата
Дата установки
Мастер

HYUNDAI

Печать
фирмы
-продавца

44.

HYUNDAI

Гарантийный талон

Заполняется сервисным центром

«А»

Дата приема

Дата выдачи

Особые отметки

Печать
сервисного
центра

«Б»

Дата приема

Дата выдачи

Особые отметки

Печать
сервисного
центра



RU

«В»

Дата приема

Дата выдачи

Особые отметки

Печать
сервисного
центра

«Г»

Дата приема

Дата выдачи

Особые отметки

Печать
сервисного
центра

Дата приема	
Дата выдачи	
Особые отметки	
Номер заказа-наряда	
Проявление дефекта	
Мастер	Печать сервисного центра
Код неисправности	
Заполняется сервисным центром		

Дата приема	
Дата выдачи	
Особые отметки	
Номер заказа-наряда	
Проявление дефекта	
Мастер	Печать сервисного центра
Код неисправности	
Заполняется сервисным центром		



Дата приема	
Дата выдачи	
Особые отметки	
Номер заказа-наряда	
Проявление дефекта	
Мастер	Печать сервисного центра
Код неисправности	
Заполняется сервисным центром		

Дата приема	
Дата выдачи	
Особые отметки	
Номер заказа-наряда	
Проявление дефекта	
Мастер	Печать сервисного центра
Код неисправности	
Заполняется сервисным центром		

46.

HYUNDAI

Гарантийный талон

Отрывной талон «А»

Изделие	HYUNDAI
Модель	
Серийный номер	
Дата продажи	
Фирма-продавец	Печать сервисного центра
Заполняется фирмой-продавцом		

Отрывной талон «Б»

Дата приема	HYUNDAI
Дата выдачи	
Особые отметки	
Номер заказа-наряда	
Проявление дефекта	
Мастер	Печать сервисного центра
Код неисправности	
Заполняется фирмой-продавцом		

RU

Отрывной талон «В»

Дата приема	HYUNDAI
Дата выдачи	
Особые отметки	
Номер заказа-наряда	
Проявление дефекта	
Мастер	Печать сервисного центра
Код неисправности	
Заполняется фирмой-продавцом		

Отрывной талон «Г»

Дата приема	HYUNDAI
Дата выдачи	
Особые отметки	
Номер заказа-наряда	
Проявление дефекта	
Мастер	Печать сервисного центра
Код неисправности	
Заполняется фирмой-продавцом		

Профилактическое обслуживание изделия.

(Заполняется специалистом авторизованного сервисного центра Hyundai)

№№	Дата выполнения работ	Перечень выполненных работ	Наименование СЦ	Ф.И.О. исполнителя, подпись, печать



Профилактическое обслуживание изделия.

(Заполняется специалистом авторизованного сервисного центра Hyundai)

№№	Дата выполнения работ	Перечень выполненных работ	Наименование СЦ	Ф.И.О. исполнителя, подпись, печать



Страна	Наименование сервисного центра	Код города	Телефон	Фактический адрес, электронный адрес	Примечание
Россия	ООО «Авангард Холго»	(495)	710-71-72, 627-52-85	г. Москва, Ленинградское ш., д. 57, корп. 12, 2 этаж service@hc-hvac.ru	Единая сервисно-информационная служба на территории России.
Казахстан				kz.service@hyundai-hvac.com	
Белорусия				by.service@hyundai-hvac.com	



Вниманию покупателей!



Список сервисных центров Hyundai может быть дополнен или изменен без специального предварительного уведомления. Информация регулярно обновляется на сайте www.hc-hvac.ru, в разделе «Сервис».

Также вы всегда можете задать свои вопросы, касающиеся сервисного обслуживания техники Hyundai, позвонив по телефону +7 (495) 627-5285.

Если у вас возникли претензии к работе сервисного центра Hyundai в вашем городе, просьба информировать об этом Генерального сервисного партнера Hyundai по телефону +7 (495) 627-5285 или электронной почте service@hc-hvac.ru своевременно. Также мы будем благодарны, если вы сообщите нам о некорректных данных (адрес, контактный телефон, название и т.п.) сервисного центра Hyundai в вашем городе, указанного в этой специальной информационной вкладке.

Ваши пожелания помогут нам организовать сервисную поддержку техники Hyundai на более высоком уровне.

Спасибо за сотрудничество!



KO 제품 품질 보증 쿠폰은 해당 지역 디스트리뷰터에 요청하시기 바랍니다.



EN Ask distributor of your region for Warranty Coupon of a product.



ES Pida la garantía al distribuidor en su país.



KZ Бұйымның кепілдік талонын сатылған ел аумағындағы дистрибьютордан сұрастырыңыз.



BY Гарантыйны талон на выраб запытваць у дыстрыбутара на тэрыторыі краіны продажу.

.....

.....

.....

.....

.....

.....

.....

.....

.....

.....

.....

.....

.....

.....

.....

.....

.....

.....

.....

.....

.....

.....

.....



HYUNDAI

Licensed by Hyundai Corporation, Korea

www.hyundai-hvac.com



EAC CE