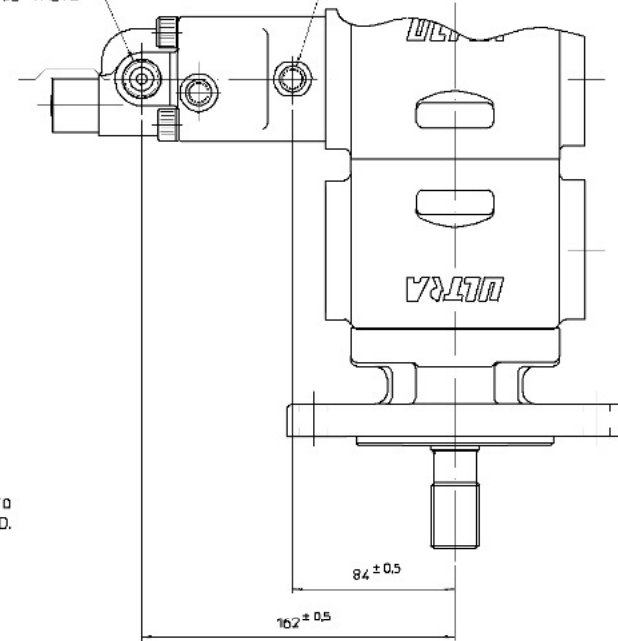
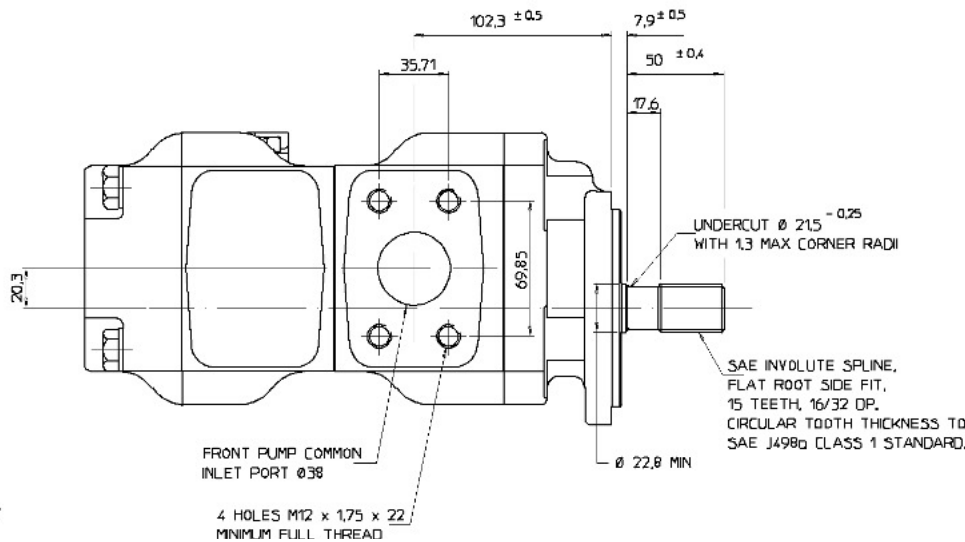


SOLENOID VALVE PORT
3/4" - 16 UNF x 12 MINIMUM
FULL THREAD WITH
STERLING TYPE '2L' VALVE
CAVITY.

PRESSURE TEST PORT.
M10 x 1 x 10 MINIMUM
FULL THREAD, SUPPLIED
WITH PLUG & SEAL FITTED.

PUMP DATA		
	FRONT PUMP	REAR PUMP
PUMP TYPE	ZPRO37	ZPRO29
THEORETICAL DISPLACEMENT	37.0 cc/rev (2.26 cu in/rev)	29.0 cc/rev (1.77 cu in/rev)
MAXIMUM CONTINUOUS PRESSURE P1	230 bar (3335 psi)	220 bar (3190 psi)
MAXIMUM SPEED AT PRESSURE P1	2200 rev/min	
MINIMUM SPEED AT PRESSURE P1	500 rev/min	
ROTATION WHEN VIEWED ON END OF DRIVESHAFT	ANTI - CLOCKWISE	
APPROX WEIGHT	kg (lb)	
OPERATING TEMPERATURE RANGE	CONTINUOUS 0°C TO 80°C COLD START -20°C MAX INTERMITTENT 100°C	
SHAFT SEAL TYPE	SINGLE NITRILE	
M.F. INDUSTRIAL PART NUMBER		



PART VIEW ON ARROW 'C'

FOR OPERATING CONDITIONS OUTSIDE THOSE STATED PLEASE CONSULT
ULTRA HYDRAULICS LIMITED TECHNICAL SALES DEPARTMENT.

WITH EXCEPTION OF DRIVESHAFT, FLANGE SPIGOT AND MOUNTING FACE, PLUS
AREAS AROUND PORTS, ALL SURFACES ARE PAINTED WITH BLACK SUNCORITE 528.

VIEW ON ARROW 'B'

Part no.	6 5 3 0 U	THRD ANGLE PROJECTION
TITLE	1999 INSTALLATION OF ZPRO37/ZPRO29A PUMP WITH UNLOADER VALVE	
UNLESS OTHERWISE STATED:	<p>ULTRA HYDRAULICS LTD. HAS OBTAINED THE PROPERTY OF ULTRA-HYDRAULICS IN THE UNITED KINGDOM AND IN OTHER COUNTRIES TO THE EXCLUSIVE RIGHT TO MANUFACTURE AND TO SELL AND TO LICENSE OTHERS TO MANUFACTURE AND TO SELL ANY PART OF IT SHALL NOT BE REPRODUCED IN ANY FORM.</p> <p>ULTRA HYDRAULICS LTD. CHELTENHAM S. ANDRUS 15 HDS 260 14 SPITFIRE LANE, CHELTENHAM GLOS. SYDNEY, GLOS. SYDNEY</p>	

REV. NO. 1

REV. NO.	DESCRIPTION	DATE
1		
2		
3		
4		
5		
6		
7		
8		
9		
10		
11		
12		
13		
14		
15		