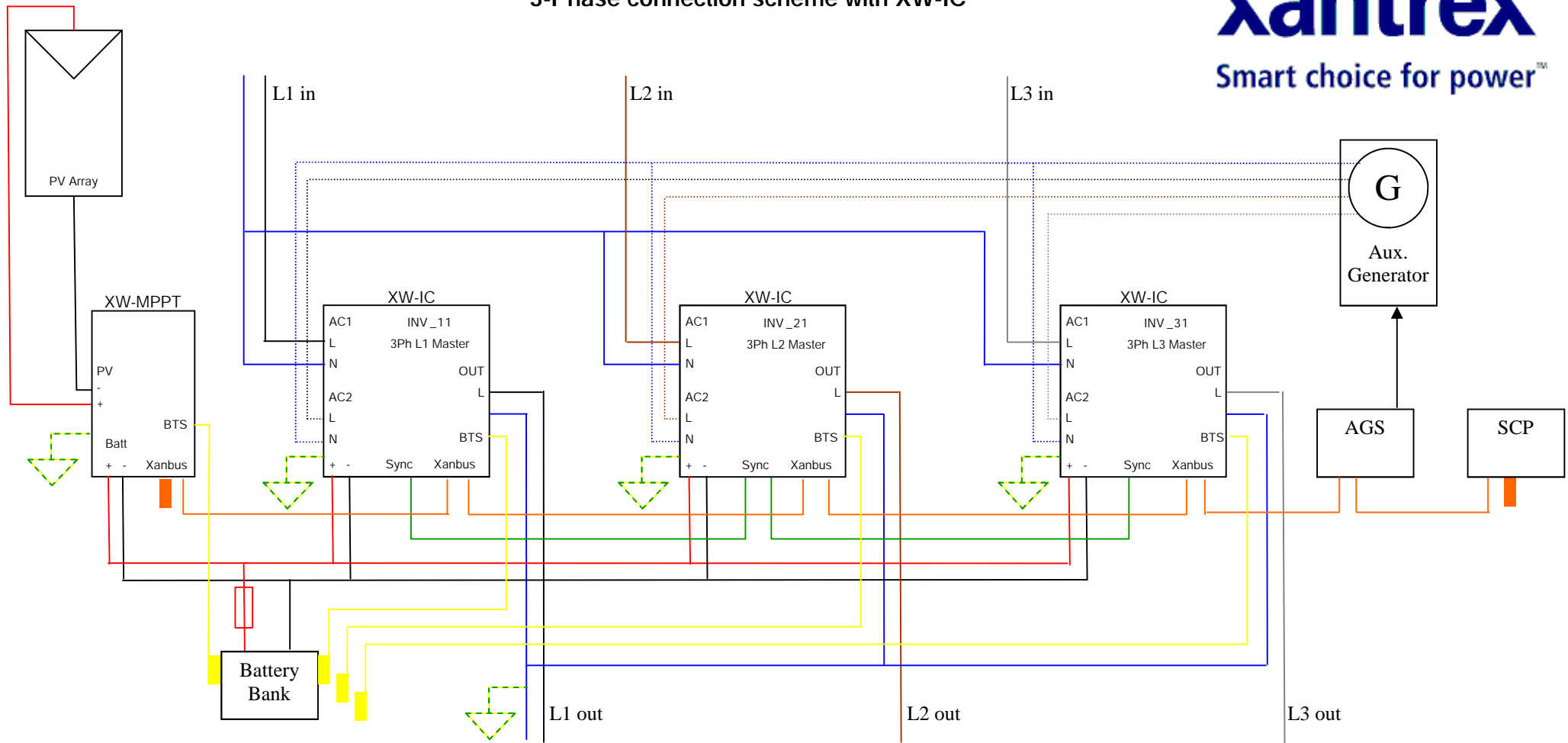


### 3-Phase connection scheme with XW-IC



- DC and AC protections not shown
- AC1, AC2 and OUT Neutrals are internally connected
- Ground output neutral if allowed by applicable electrical codes
- AGS and MPPT are optional elements
- SCP is mandatory for commissioning but optional for operation
- Xanbus and Sync Bus use standard UTP (Ethernet) cat5 shielded cable in raceways separated from power cables
- Xanbus terminations must always be installed in the first and last component of the daisy-chain
- Sync Bus does not use terminators
- One Xanbus cable and one terminator included with each component of the XW system
- Only one BTS is required in the system, extra BTS will be used as spare if connected

- BTS
- Xanbus Terminator
- Xanbus Bus
- Sync Bus