

110A

Fuel Filter/Water Separator

Instruction Part Number 21410 Rev G



The 110A fuel filter/water separator may be installed on the vacuum or pressure side (up to 100 PSI) of the fuel system with a maximum flow rate of 15 GPH (57 LPH) for diesel fuel and 35 GPH (132 LPH) for gasoline.

The compact size and four port versatility make the 110A the most popular small fuel filter/water separator on the market today. This filter features 1/4"-18 NPTF (SAE J467) inlet and outlet fuel ports and a unitized mounting bracket. Its two piece, die-cast aluminum construction ensures a long-lasting, durable and extremely effective filter. Servicing is also made easier by the spin-on bowl assembly and simple filter changeout procedure.



Contact Information: Product Features:

Parker Hannifin Corporation
Racor Division
P.O. Box 3208
3400 Finch Road
Modesto, CA 95353

phone 800 344 3286
209 521 7860
fax 209 529 3278
racor@parker.com

parker.com/racor

- 4 port, die-cast aluminum unitized head
- Filters gasoline, diesel, and gasoline/oil blended fuels
- Flow rates up to 35 GPH (132 LPH) with gasoline applications
- Compact design
- Heavy duty construction
- Easy to service

MEMBER
ABYC
Setting Standards for Safer Boating

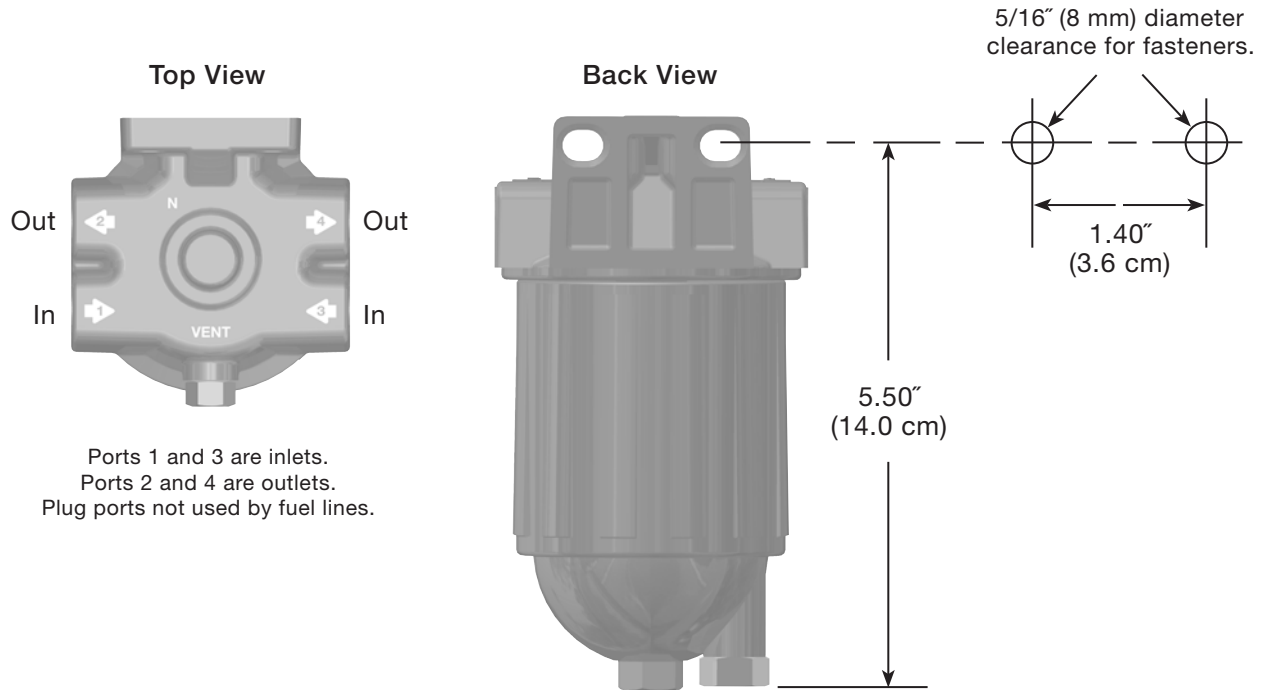
NMMA
TYPE ACCEPTED

MARINE
UL
LISTED

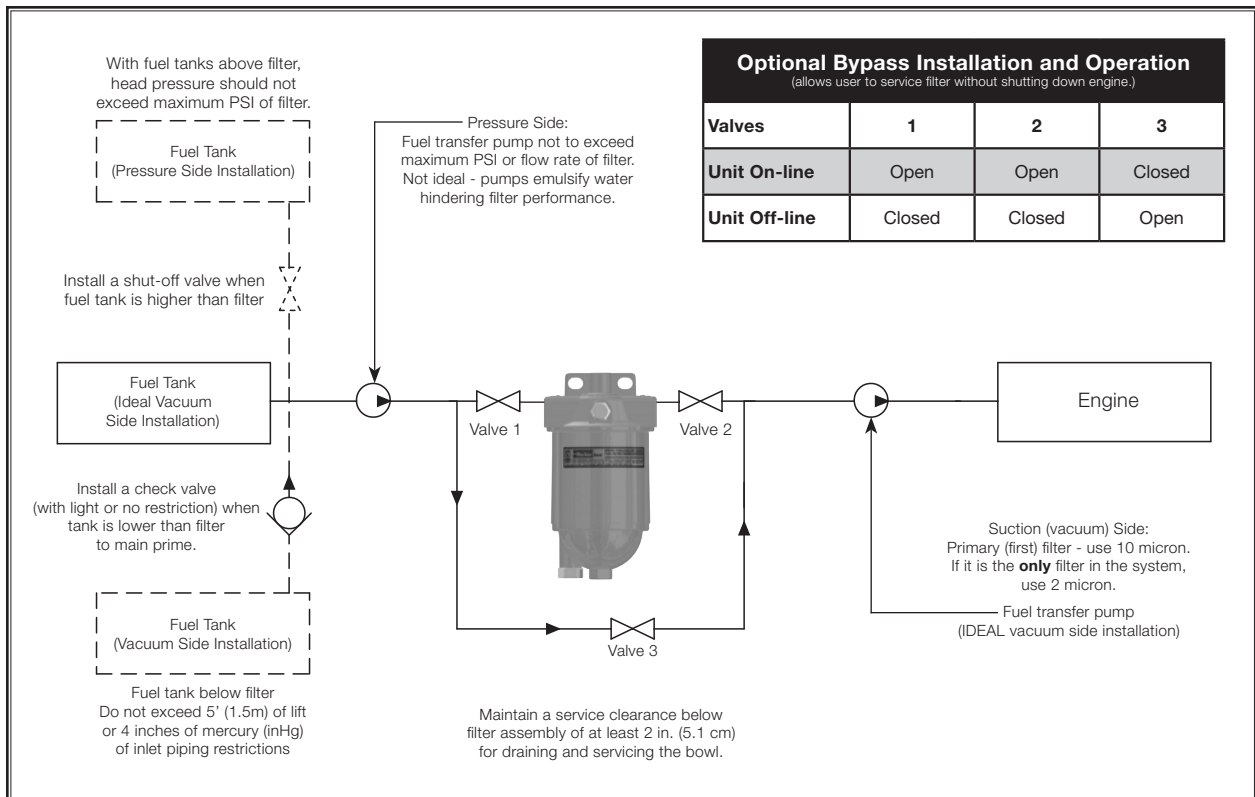


ENGINEERING YOUR SUCCESS.

Mounting Instructions



Installation Diagram



Installation Instructions

Warning! Do not smoke or allow open flame near installation. Perform installation in a well ventilated area.

Refer to Mounting Instructions and Installation Diagram - install as follows:

1. Make sure engine is off and cool to touch.
2. Apply thread sealant to 1/4" NPTF fittings - do not use thread tapes as particles may break off and contribute to clogging filter.
3. Thread fittings into appropriate fuel ports and tighten snugly. Plug unused ports with provided port plugs and tighten snugly.
4. Mount filter vertically in a protected area and away from heat sources. Maintain at least 2 inches of clearance below filter for servicing.
5. Attach fuel lines to filter. Avoid tight bends and rubbing areas when routing fuel hose.
6. Spin (counter-clockwise) bowl from mounting head and fill with clean fuel. Spin (clockwise) bowl back onto mounting head and tighten snugly by hand.
7. Start engine and check for leaks. Correct as necessary with engine off.

Filter Replacement

Filter replacement frequency is determined by the contamination level in fuels. Fuel flow to engine becomes restricted as filter gradually plugs with contaminants, resulting in noticeable power loss and/or hard starting. As a guideline, change filter every 500 hours, 10,000 miles, every other oil change, annually, or at first indication of power loss, whichever occurs first. Always carry extra replacement filters as one tankful of excessively dirty fuel can quickly plug a filter.

1. Make sure engine is off and cool to touch.
2. Close all fuel valves, if applicable, to make sure excess fuel does not spill during servicing.
3. Open vent plug on mounting head.
4. Drain unit of fuel by removing probe port plug or water probe (whichever is installed). Close when done.
5. Spin bowl from mounting head and remove filter. Dispose properly.
6. Lubricate new filter seals with motor oil or clean fuel and install new filter.
7. Fill bowl with fuel and spin back onto mounting head. Tighten snugly by hand.
8. Close vent plug. Tighten Snugly. Open all fuel valves, if applicable.
9. Start engine and check for leaks. Correct as necessary with engine off.

Draining the Collection Bowl

Water is heavier than fuel and will settle to bottom of bowl and appear different in color if collected in a clear jar. In marine or high humidity environments, check bowl frequently (daily if a poor fuel source is suspected). The 110A bowl is equipped with a water sensor port that will accept a water probe (sold separately) to alert operator of a high water condition in filter.

1. Make sure engine is off and cool to touch.
2. Open vent plug - it is necessary to remove vent plug completely.
3. Momentarily remove probe port plug or water probe, whichever is installed, and drain water into a suitable container. *Note: If plug or probe is removed too long, the entire filter assembly may drain completely of water and fuel.*
4. Tighten probe port plug or water probe snugly.
5. Follow Priming Instructions on next page.



R11S or R11T Filter

Priming Instructions

1. Make sure engine is off and cool to touch.
2. Spin bowl off of mounting head and fill with clean fuel.
3. Spin bowl back onto mounting head and tighten firmly by hand.
4. Verify all other connections are tight.
5. Start engine and check for leaks, Correct as necessary with engine off.

Troubleshooting

A major cause of power loss or hard starting is a result of an air leak (or clogged filter). If your unit will not prime or fails to hold prime, check that drain,

bowl, and filter are properly tightened. Next, check all fitting connections and ensure fuel lines are not pinched or clogged with contaminants. If problems

persist (and filter is new) call Racor Technical Support for assistance: 800-344-3286 or 209-575-7555.

Specifications

110A	
Maximum Flow Rate (with diesel fuel) (with gasoline)	15 GPH (57 LPH) 35 GPH (132 LPH)
Port Size (SAE J476)	1/4"-18 NPTF (female)
Replacement Element (2 micron) (10 micron)	R11S R11T
Minimum Service Clearance	2.0 in. (5.1 cm)
Height	6.0 in. (15.2 cm)
Depth	3.2 in. (8.1 cm)
Width	3.2 in. (8.1 cm)
Weight (dry)	1.3 lb (0.59 kg)
Clean Element Pressure Drop	0.15 PSI (0.01 bar)
Maximum Allowable Pressure*	100 PSI (6.9 bar)
Available Options Water Sensor Heater	Yes No
Water in Bowl Capacity	1.2 oz. (35.5 ml)
Ambient Temperature Range (when fuel temp is:)	-40° to +255°F (-40° to +121°C) 80° to 190°F (27° to 88°C)

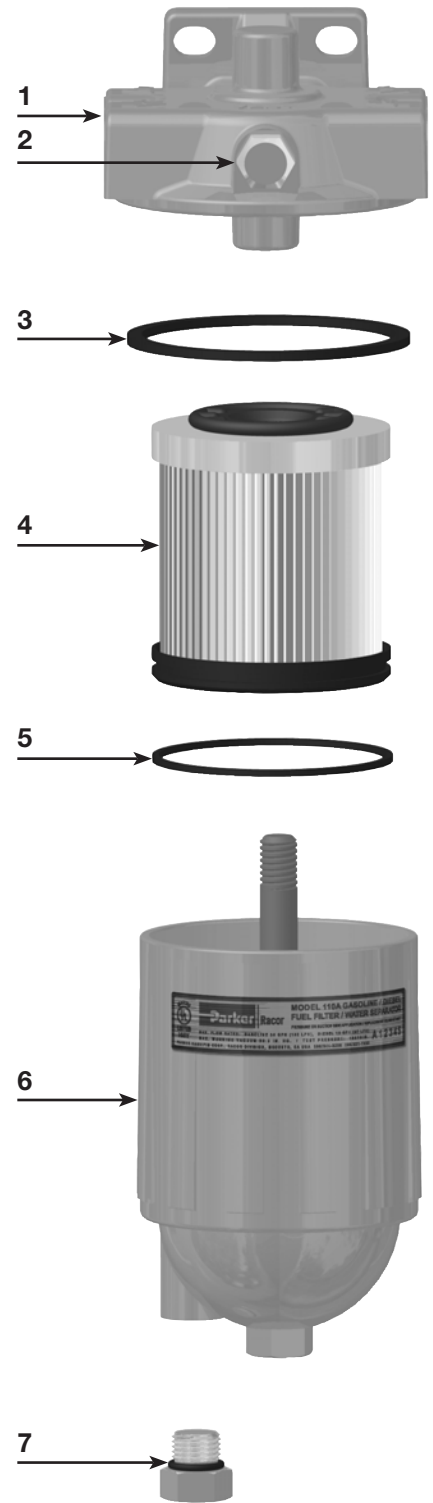
* Pressure installations are acceptable up to the maximum PSI shown. Vacuum installations are recommended.



110A

Replacement Parts

<u>Part No.</u>	<u>Description</u>
1. N/A	Mounting Head Kit (1/4"-18 NPTF Ports)
2. RK 10110	Metal Vent Plug Kit (3/8"-24 SAE)
3. N/A	Square Cut Gasket
4. R11S	Replacement Filter (2 Micron) (includes #'s 3 and 5)
R11T	Replacement Filter (10 Micron) (includes #'s 3 and 5)
5. N/A	O-ring, Bottom End Cap
6. RK 21364	Metal Housing (includes #7)
7. RK 20022	Metal Plug Kit (1/2"-20 SAE)
Additional Parts	
RK 30817	1/4"-18 Port Plug Kit (2 per kit)
RK 21363	Complete Seal Service Kit
Visit racordealer.com to purchase parts online.	



Accessories

Water Probe Kits

Racor offers a wide selection of water probes, each designed for use with particular models and installation requirements. These probes are available in various configurations to fit every Racor filter/separator. The water probe is only a component in the water detection system and will not work without a Racor electronic detection module (see next page).

RK 30880E has an electronic detection module built-into its design and has the simplest installation procedure. Wiring instructions are supplied with each water detection module.



Specifications	RK 21069*	RK 30964*	RK30880E
Threads	1/2"-20 Threads	1/2"-20 Threads	1/2"-20 Threads
Description	One piece design with two wires. Requires a detection module.	Includes detachable 2-wire connector. Requires a detection module.	Includes detachable 3-wire connector, built-in detection electronics and under-dash warning light. Probe sends ground signal to light.
Voltage	12 or 24 vdc	12 or 24 vdc	12 or 24 vdc
Power Draw: (12 volt) (24 volt)	N/A	N/A	5 Milliamps 10 Milliamps
Maximum Load	N/A	N/A	1 Amp
Weight	0.03 lb (0.01 kg)	0.02 lb (0.01 kg)	0.4 lb (0.18 kg)
Caution: Never wire a water probe directly to voltage or another brand of detection module.			

* Water probe must be used with a Racor water detection module.

Hose

Racor fuel hose is fire resistant and meets SAE J1527 Type A class and SAE J1942 standards. This hose delivers test proven performance

in a wide operating temperature range, constant working pressure in popular sizes, long-lasting reinforced construction, kink and

cut resistance, and compatibility with a variety of standard fittings.



Part Number	Hose ID	Working Pressure	Burst Pressure	Min. Bend Radius
CGH-5	1/4" (6.3 mm)	500 PSI (3.5 MPa)	2000 PSI (14 MPa)	1" (25 mm)
CGH-6	5/16" (8 mm)	500 PSI (3.5 MPa)	2000 PSI (14 MPa)	1 1/4" (30 mm)
CGH-8	13/32" (10 mm)	500 PSI (3.5 MPa)	2000 PSI (14 MPa)	1 3/4" (45 mm)

Note: Additional sizes may be available - contact your Racor distributor.

Additional Features

- High-tensile steel wire braid.
- No-Skive - does not require the removal of outer cover to install.
- USCG-rated for gasoline, diesel, lube oil, and hydraulic systems.
- Working temperature of -4°F to +212°F (-20°C to +100°C).

Water Detection Modules

Racor Water Detection Kits are available for under dash, in-dash, and remote mount installation. These units may be used with any Racor fuel filter/

water separator and water probe. An electric detection module analyzes electrical resistance at the water probe and determines if water is present. Units reset

automatically after removing water (unless specified). All water detection module kits include an RK 21069 water probe.

Under Dash Modules

Specifications	RK 12870	RK 12871
Voltage	12 vdc	24 vdc
Features	Light and Buzzer	
Description	Lamp illuminates and buzzer sounds when water is detected. Water must be drained to reset light and stop buzzer.	
Dimensions	1.4" H x 1.25" D x 1.4" W	
Power Draw	1 Milliamp	
Max. Internal Load	30 Milliamps	
Weight	0.2 lb (0.1 kg)	

Note: Additional modules available - contact your Racor distributor.

**Part Number
RK 12870 or
RK 12871**



In-Dash Modules

Specifications	RK 20726
Voltage	12 or 24 vdc
Features	Light and Buzzer
Description	Red DRAIN lamp illuminates continuously and buzzer sounds momentarily when water is detected. Power-up self diagnosis feature and circuit protection included.
Dimensions**	2.2" Diameter x 3.2" Depth
Power Draw: (12 volt) (24 volt)	3 Milliamps 13 Milliamps
Max. Internal Load	30 Milliamps
Weight	0.4 lb (0.2 kg)

** Cut 2.0" diameter hole to mount gauges in instrument panel.

Note: Additional modules available - contact your Racor distributor.

**Part Number
RK 20726**



Remote Mount Modules

Specifications	RK 14329	RK 14321
Voltage	12 vdc	24 vdc
Features	Sends Hot (+) Signal	Sends Hot (+) Signal
Description	Receives signal from water probe or vacuum switch (not included) then sends a signal to horn or lamp. Must use with relay if power draw is over 1 amp.	Same as RK14329
Dimensions	0.7" H x 2.5" D x 2.8" W	1.0" H x 1.5" D x 2.0 W
Power Draw:	14 Milliamps	10 Milliamps
Max. Internal Load	30 Milliamps	30 Milliamps
Weight	0.3 lb (0.1 kg)	0.4 lb (0.2 kg)

Note: Additional modules available - contact your Racor distributor.

**Part Number
RK 14329**



**Part Number
RK 14321**



Limited Warranties Statement

All products manufactured or distributed by Racor are subject to the following, and only the following, LIMITED EXPRESS WARRANTIES, and no others: For a period of one (1) year from and after the date of purchase of a new Racor product, Racor warrants and guarantees only to the original purchaser-user that such a product shall be free from defects of materials and workmanship in the manufacturing process. The warranty period for pumps and motors is specifically limited to ninety (90) days from date of purchase. A product claimed to be defective must be returned to the place of purchase. Racor, at its sole option, shall replace the defective product with a comparable new product or repair the defective product. This express warranty shall be inapplicable to any product not properly installed and properly used by the purchaser-user or to any product damaged or impaired by external forces.

THIS IS THE EXTENT OF WARRANTIES AVAILABLE ON THIS PRODUCT. RACOR SHALL HAVE NO LIABILITY WHATSOEVER FOR CONSEQUENTIAL DAMAGES

FLOWING FROM THE USE OF ANY DEFECTIVE PRODUCT OR BY REASON OF THE FAILURE OF ANY PRODUCT. RACOR SPECIFICALLY DISAVOWS ALL OTHER WARRANTIES, EXPRESS OR IMPLIED INCLUDING, WITHOUT LIMITATION, ALL WARRANTIES OF FITNESS FOR A PARTICULAR PURPOSE (EXCEPT FOR THOSE WHICH APPLY TO PRODUCT OR PART THEREOF THAT IS USED OR BOUGHT FOR USE PRIMARILY FOR PERSONAL, FAMILY, OR HOUSEHOLD PURPOSES), WARRANTIES OF DESCRIPTION, WARRANTIES OF MERCHANTABILITY, TRADE USAGE OR WARRANTIES OR TRADE USAGE.

Warning

Failure or improper selection or improper use of the products and/or systems described herein or related items can cause death, personal injury and property damage. This document and other information from Parker Hannifin Corporation, its subsidiaries and authorized distributors provide product

and/or system options for further investigation by users having technical expertise. It is important that you analyze all aspects of your application and review the information concerning the product or system in the current product catalog. Due to the variety of operating conditions and applications for these products or systems, the user, through its own analysis and testing, is solely responsible for making the final selection of the products and systems and assuring that all performance, safety and warning requirements of the applications are met. The products described herein, including with limitation, product features, specifications, designs, availability and pricing, are subject to change by Parker Hannifin Corporation and its subsidiaries at any time without notice.

The following statement is required pursuant to proposition 65, applicable in the State of California: 'This product may contain a chemical known to the State of California to cause cancer or reproductive toxicity'