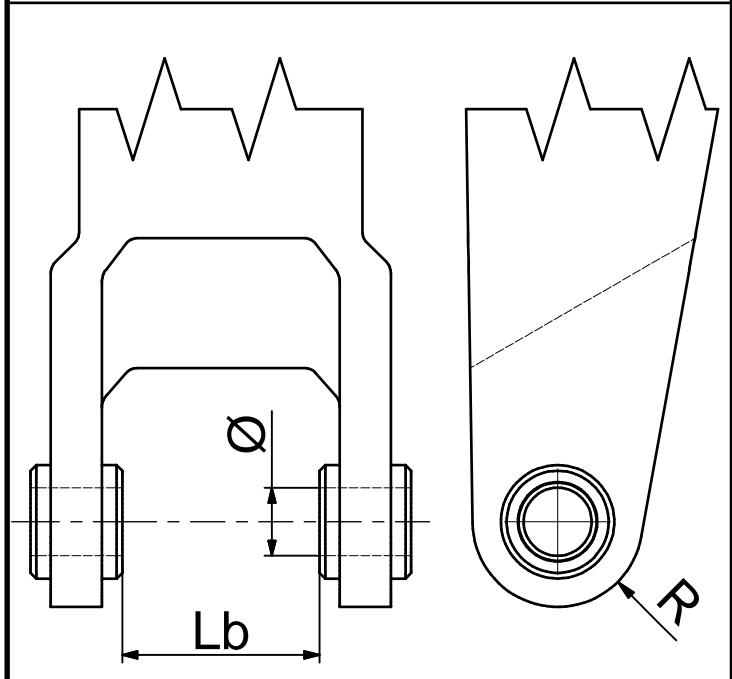
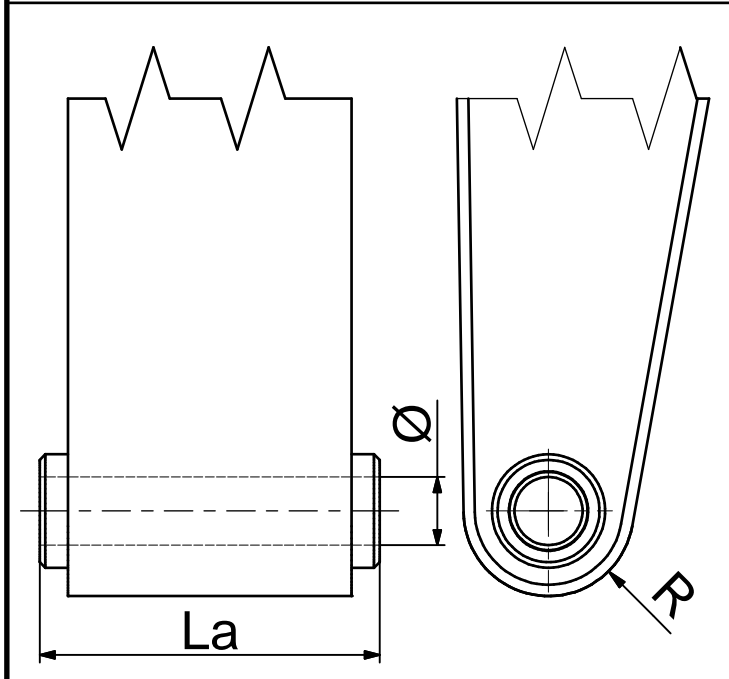
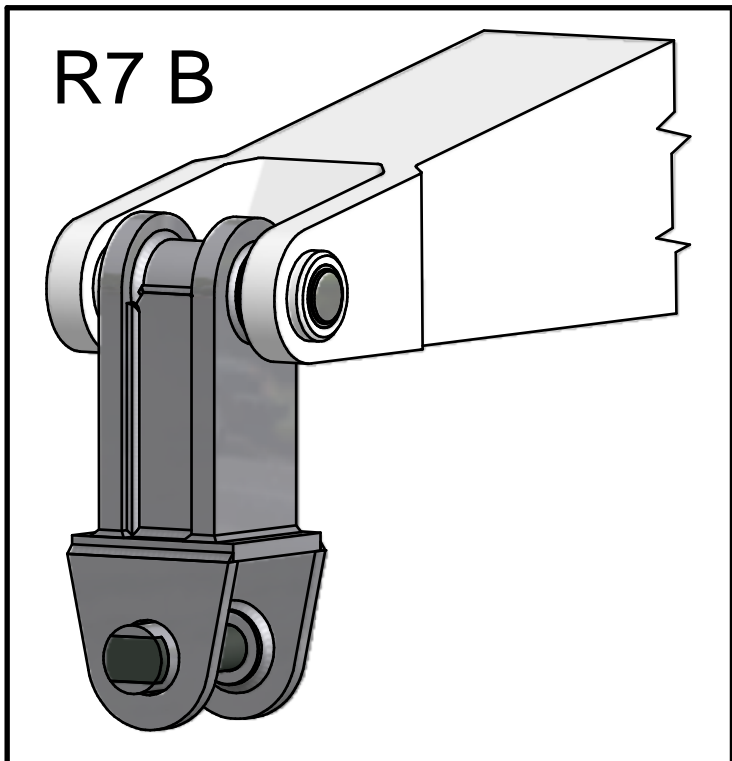
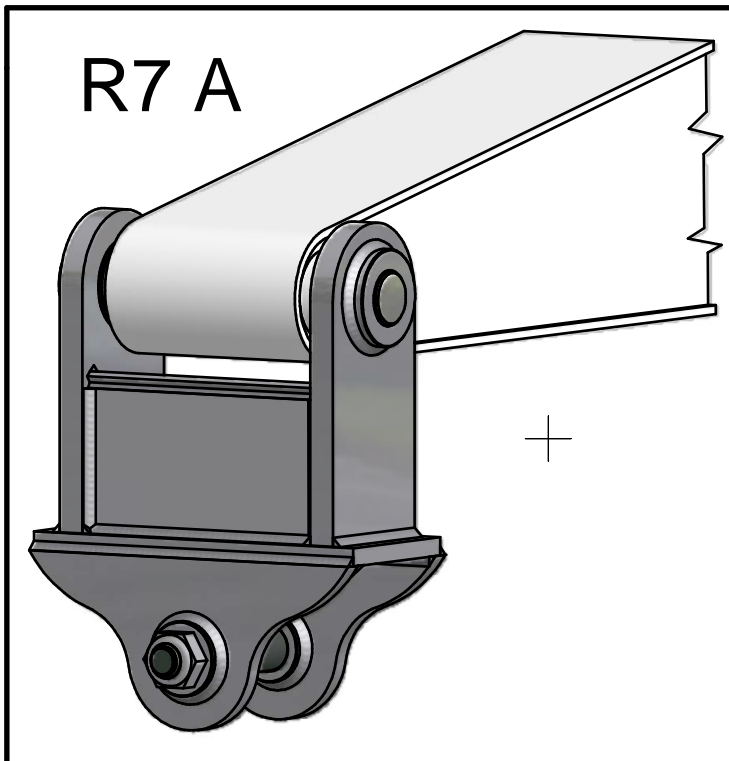


N°Ord:

Cliente-Customer:

Modello/Model:

Modello escavatore-Excavator model: .....



Ø	
La	
R	

Ø	
Lb	
R	



25020 SENIGA (Brescia) – Italy – Via Barca, 7  
 Tel. +39 0309955003 – Fax +39 0309955363  
[www.rozzi.it](http://www.rozzi.it) - [mail@rozzi.it](mailto:mail@rozzi.it)