



ECOBOILER
PUSH
BUTTON

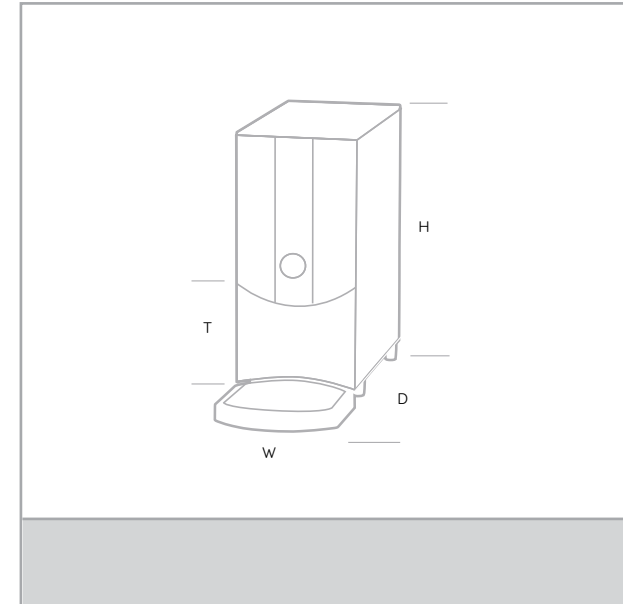
ATMOSPHERIC
WATER BOILERS



FEATURES/

- Best in class energy efficiency.
- 5 & 10L options, others on request.
- Compact footprint.
- Plumbed into mains supply.
- Excellent value for money.
- Easy to descale and service.
- Electronic control.
- Made with over 95% recyclable materials.
- Takes up to 40cl (14oz) cup – ‘to go drinks’.
- 316L stainless steel tank.

DIMENSIONS/



IDEAL FOR ALL
SELF-SERVICE
LOCATIONS, GRAB
AND GO APPLICATIONS,
CANTEENS, COFFEE
SHOPS, RESTAURANTS,
OFFICES, SMALL SITES

SPECS/OPTIONS

DESCRIPTION	ORDER CODE	IMMEDIATE DRAW OFF (L)	OUTPUT PER HOUR (L)	CUPS PER HOUR	POWER @ 230V	WEIGHT (KG)
ECOBOILER PB5	1000665	5	28	156	2.8kW	10
ECOBOILER PB10	1000666	10	28	156	2.8kW	12.5

DESCRIPTION	DIMENSIONS (DXWXHmm)	T (mm)	PACKAGING (DXWXHmm)	QTY PER PALLET	PLUMBING REQUIREMENTS
ECOBOILER PB5	464x210x465	130	560x460x290	18	3/4" BSP
ECOBOILER PB10	464x210x590	130	560x740x550	18	3/4" BSP

FOR CUSTOMER CARE/SPARES & SERVICE VISIT

WWW.MARCOBEVERAGESYSTEMS.COM