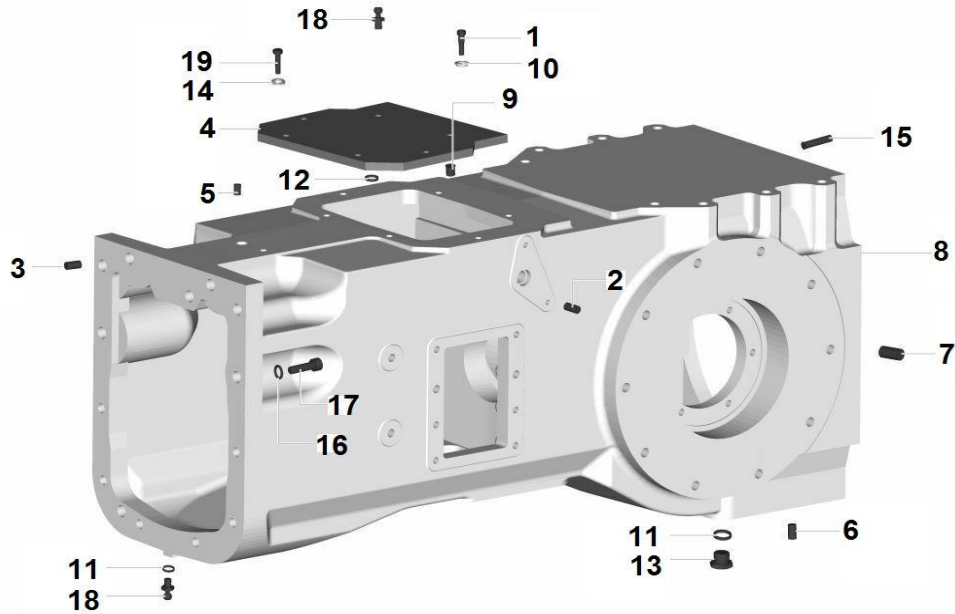


Transmisyon Gövdesi ve Üst Kapağı  
Transmission Box and Cover

72.40.0

8175,8185  
8195,8105

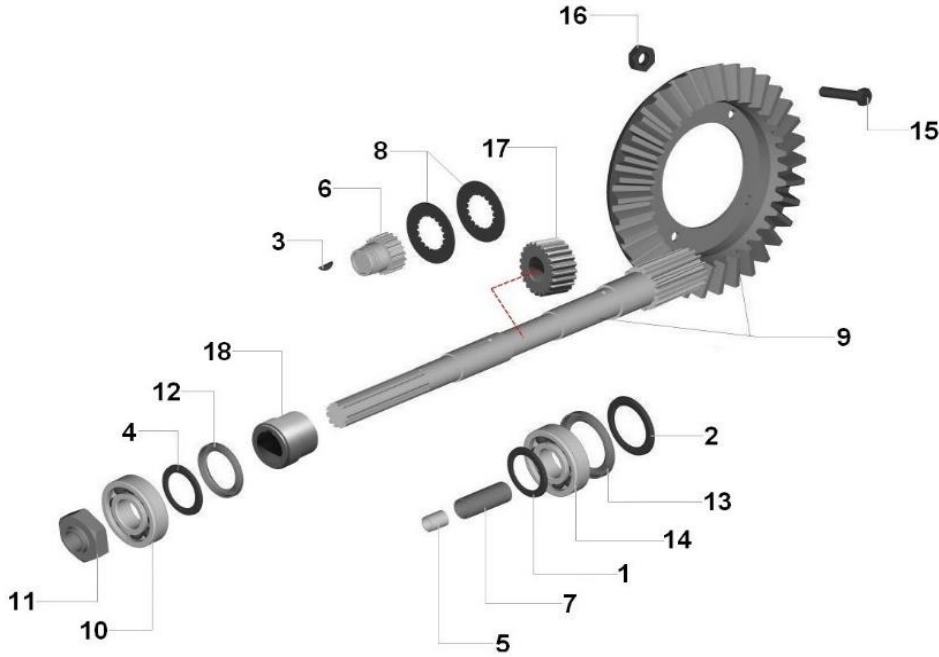


1 0-7253007	M16*1,5/M18*1,5	1 RAKOR	UNION	
2 0-7253053		1 BİLEZİK	RING	
3 0-7253118		2 PİM	PIN	
4 0-7258983		1 ŞANZIMAN KAPAĞI	COVER	
5 0-7253425		1 PİM	PIN	
6 0-7253679		2 MERKEZLEME PİMİ	PIN	
7 0-7253740		4 PİM	PIN	
8 1-7259255		1 TRANSMİSYON GÖVDESİ	TRANSMISSION	DT
8 1-7259257		1 TRANSMİSYON GÖVDESİ	TRANSMISSION	N
8 1-7258735		1 TRANSMİSYON KUTUSU	TRANSMISSION BOX	TASLAK
9 0-170158900	D.22	1 TAPA	PLUG	
10 0-170263160	D.18*24*1	1 PUL	WASHER	
11 0-170263460	D22*28*1,5	2 PUL	WASHER	
12 0-170296260	D.28*36*1,5	1 PUL	WASHER	
13 0-170304711	M22*1,5	2 TAPA	PLUG	
14 0-170516879	10	6 YAYLI RONDELA	WASHER, LOCK	
15 0-170839710	D.10	4 MERKEZLEME PİMİ	PIN	
16 0-171194179	14*27*3	4 KONİK RONDELA	WASHER	
17 0-171422021	M14*1,5*55	4 CIVATA	SCREW	
18 0-173413290		1 HAVALAND. SUPABI	VALVE	
19 0-175970521	M10x20	6 CIVATA	SCREW	

Ayna Mahrutu  
Bevel Gear/Pinion Set

72.40.1

8175,8185  
8195,8105

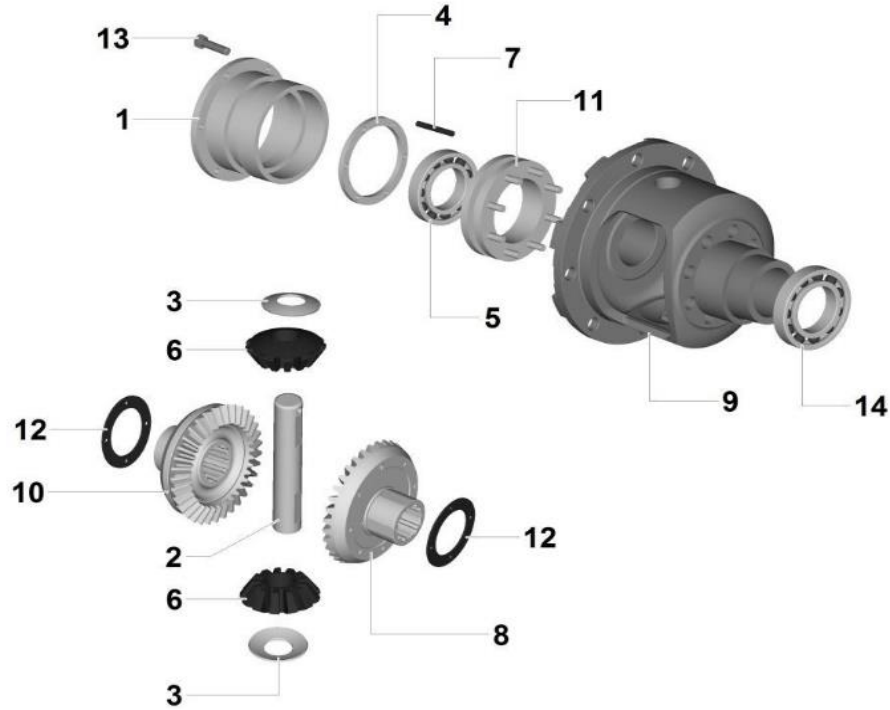


1	0-7253058		1	BASKI PULU	WASHER
2	0-7253112	4.6 mm.	1	AYAR PULU	WASHER
3	0-7253171		1	KAMA	KEY
4	0-7253280	1.50 mm.	1	AYAR PULU	WASHER
5	0-7253539		1	ARA BURCU	BUSH
6	0-7253161		1	DİŞLİ	GEAR
7	0-7253539		1	ARA BURCU	BUSH
8	0-7257638		3	DİSK	DISC
9	0-7258568		1	AYNA MAHRUTİ	ANNULAR GEAR
10	0-7253843		1	RULMAN	BEARING
11	0-7253911		1	SOMUN	NUT
12	0-7254029		1	KEÇE	SEAL
13	0-7254504		1	ÇANAK	BEARING
14	0-7253097	SKF32310-A	1	RULMAN	BEARING
15	0-175540730	M12*1.25*45	12	CIVATA	SCREW
16	0-176109221	M12*1.25	12	SOMUN	NUT
17	0-7253258		1	DİŞLİ	GEAR
18	0-7257747		1	MANŞON	COT

Diferansiyel Karpuzu ve Istavroz Dişlileri  
Differential Case and Cross Gears

72.40.2

8175,8185  
8195,8105



- 1 0-7253131
- 2 0-7258857
- 3 0-7258892
- 4 0-7253134
- 4 0-7253135
- 5 0-274903460
- 6 0-7258858
- 7 0-7253138
- 8 0-7253228
- 9 0-7258856
- 10 0-7253230
- 11 0-7253836
- 12 0-7254501
- 13 0-174233621
- 14 0-274903460

0.50 mm.

0.20 mm.

65\*100\*22

1.2 mm.

M10\*30

65\*100\*22

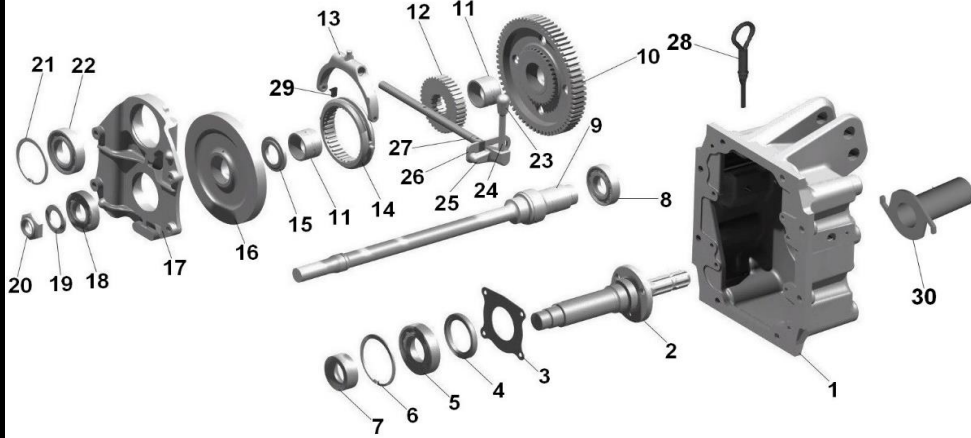
- |    |                 |              |
|----|-----------------|--------------|
| 2  | MESNET          | SLEEVE       |
| 1  | MİL             | SHAFT        |
| 2  | ÇANAK PUL       | WASHER       |
| 3  | AYAR PULU       | WASHER       |
| 3  | AYAR PULU       | WASHER       |
| 1  | KONİK RULMAN    | BEARING      |
| 2  | DİŞLİ           | GEAR         |
| 1  | PİM             | PIN          |
| 1  | DİŞLİ           | GER          |
| 1  | DİFERANSİYEL    | DIFFERANTIEL |
| 1  | DİŞLİ           | GEAR         |
| 1  | KAPLİN KOMPLESİ | COUPLER      |
| 2  | AYAR PULU       | WASHER       |
| 12 |                 | SCREW        |
| 1  | KONİK RULMAN    | BEARING      |

Arka Kapak  
Rear Cover

72.40.3

540-750 d/dak  
540-750 rpm

8175,8185  
8195,8105



1 1-7251612	1	ARKA KAPAK	BACK COVER
2 0-7257514	1	KUYRUK MİLİ	PTO SHAFT
3 0-7253168	1	KEÇE	SEAL
4 0-7251626	1	KEÇE	SEAL
5 0-270973340	55*100*21	RULMAN	bEARING
6 0-171062976	100	SEGMAN	RING
7 0-7253959	1	PUL	WASHER
8 0-276797970	40*80*18	RULMAN	BEARING
9 0-7257742	1	MİL	SHAFT
10 0-7253610	1	DİŞLİ	GEAR
11 0-7253412	16	BİLEZİK	BRACELET
12 0-7253299	1	KAPLIN	COUPLING
13 0-7252444	1	ÇATAL	FORK
14 0-7253167	1	MANŞON	COT
15 0-7253300	1	PUL	WASHER
16 0-7251614	1	DİŞLİ	GEAR
17 0-7253152	1	MESNET	POST
18 0-270915780	40*80*18	RULMAN	BEARING
19 0-7253301	1	PUL	WASHER
20 0-7253912	1	SOMUN	NUT
21 0-171068376	35	EMNİYET SEGMANI	SAFETY RING
22 0-276794660	50*20	RULMAN	BEARING
23 0-7251617	1	TOPUZ	KNOB
24 0-7251616	1	KUMANDA KOLU	LEVER
25 0-7251618	1	MESNET	POST
26 0-7252588	1	PLAKA	PLATE
27 0-7252445	1	MİL	SHAFT
28 0-7251623	1	YAĞ SEVİYE ÇUBUĞU	DIPSTICK
29 0-7251622	2	PABUÇ	SHOES
30 0-7254326	1	MUHAFAZA	HOUSING

Kuyruk Mili Kumanda Kolu Baęlantısı  
PTO Connection Control Arm

**72.40.4**

8175,8185  
8195,8105

1 0-7253580  
2 0-7253099

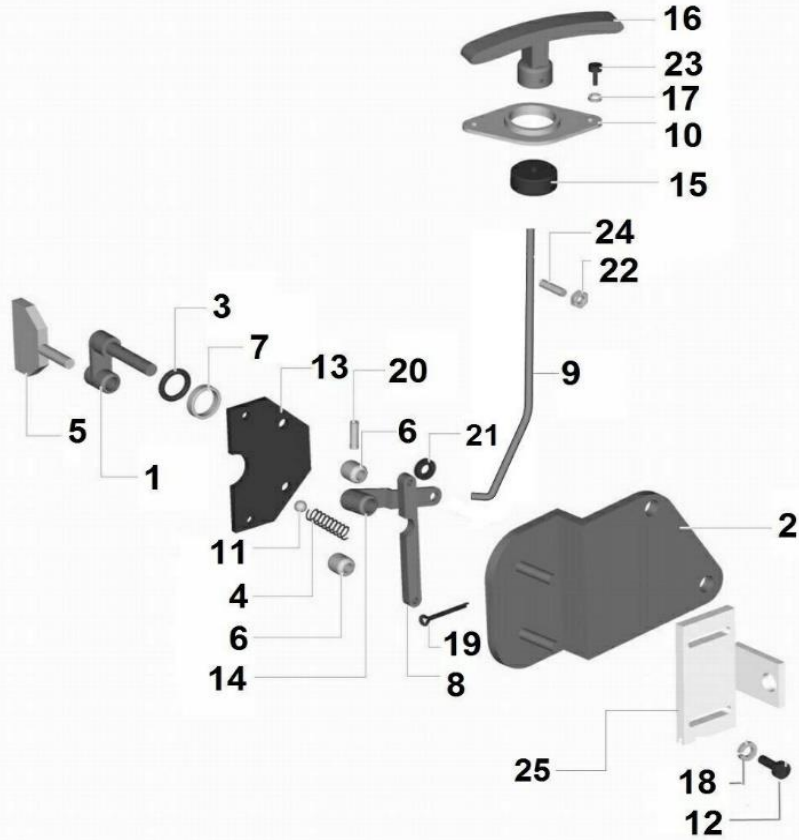
1 MANİVELA KOMPLE LINK, ASSY  
1 KAYDIRMA KOLU LEVER



Ön Diferansiyel Güç Aktarma Kumandaları  
Front Differential PTO Controls

72.40.5

8175,8185  
8195,8105



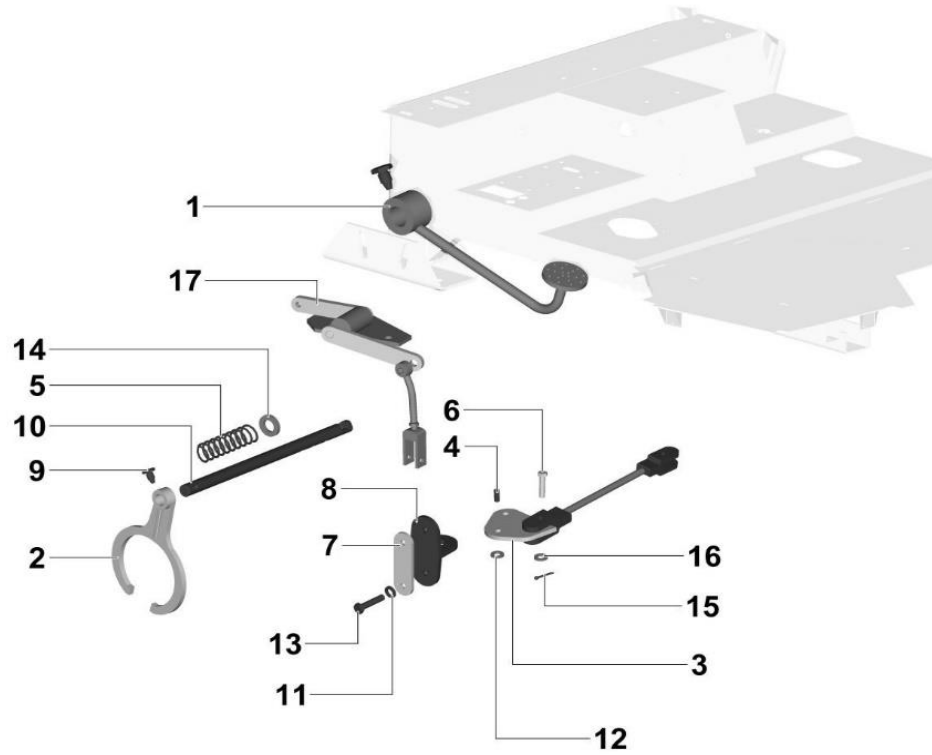
- 1 0-7253580
- 2 0-7252818
- 3 0-7253002
- 4 0-7253028
- 5 0-7253099
- 6 0-7253100
- 7 0-7253172
- 8 0-7253256
- 9 0-7254858
- 10 0-7253297
- 11 0-270063390
- 12 0-176044021
- 13 0-7253586
- 14 0-7253590
- 15 0-7253663
- 16 0-7254830
- 17 0-170516479
- 18 0-170571779
- 19 0-170734301
- 20 0-174168270
- 21 0-172638601
- 22 0-175896211
- 23 0-173276111
- 24 0-174163970
- 25 0-7256776

- |   |                 |              |
|---|-----------------|--------------|
| 1 | MANİVELA KOMPLE | LINK, ASSY   |
| 1 | MESNET KOMPLE   | BEARER       |
| 2 | O-RİNG          | O-RING       |
| 1 | YAY             | SPRING       |
| 1 | KAYDIRMA KOLU   | LEVER        |
| 2 | ARA BURCU       | BUSH         |
| 1 | BİLEZİK         | RING         |
| 1 | PLAKA           | PLATE        |
| 1 | ÇUBUK           | LEVER        |
| 2 | YUVA            | SLOT         |
| 1 | BİLYA           | BALL         |
| 2 | CIVATA          | SCREW        |
| 1 | SEKTÖR          | SECTOR       |
| 1 | MANİVELA        | LINK         |
| 1 | KÜRESEL BURÇ    | BUSH         |
| 1 | TOPUZ           | KNOB         |
| 2 | YAYLI RONDELA   | WASHER, LOCK |
| 2 | YAYLI RONDELA   | WASHER, LOCK |
| 1 | KOPİLYA         | PIN          |
| 1 | YARIK PİM       | PIN, ROLL    |
| 1 | PUL             | WASHER       |
| 2 | SOMUN           | NUT          |
| 2 | CIVATA          | BOLT         |
| 1 | YAYLI PİM       | PIN          |
| 1 | MESNET          | PIN          |

Difransiyel Kilitleme Kumandaları  
Differential Lock Controller

72.40.6

8175,8185  
8195,8105



- 1 0-7256413
- 2 0-7253140
- 3 0-7253383
- 4 0-7253386
- 5 0-7253480
- 6 0-7253756
- 7 0-7254002
- 8 0-7254036
- 9 0-7254224
- 10 0-7253139
- 11 0-170516879
- 12 0-171066476
- 13 0-171306921
- 14 0-174457581
- 15 0-170733601
- 16 0-173550401
- 17 0-7256414

- |            |                    |                  |
|------------|--------------------|------------------|
| 1          | DİFERANSİYEL PEDAL | PEDAL            |
| 1          | ÇATAL              | FORK             |
| 1          | PLAKA KOMPLESİ     | PLATE            |
| 1          | PİM                | PIN              |
| 1          | YAY                | SPRING           |
| Ø10*29     | 2 PİM              | PIN              |
|            | 2 AYAR PLAKASI     | ADJUSTMENT PLATE |
|            | 1 MESNET           | BRACKET          |
|            | 1 TESPİT VİDASI    | SCREW            |
|            | 1 MİL              | SHAFT            |
| 10         | 2 YAYLI RONDELA    | WASHER, LOCK     |
| D.16       | 2 SEGMAN           | CIRCLIP          |
| M10x30     | 2 CIVATA           | SCREW            |
| 2.62*20.29 | 1 O-RİNG           | O-RING           |
|            | 1 KOPİLYA          | PIN              |
|            | 1 RONDELA          | WASHER           |
|            | 1 MAFSAL           | SUPPORT          |

PTO İkaz Müşir Mesnedi  
PTO Switch Support

540-750 d/dak  
540-750 rpm

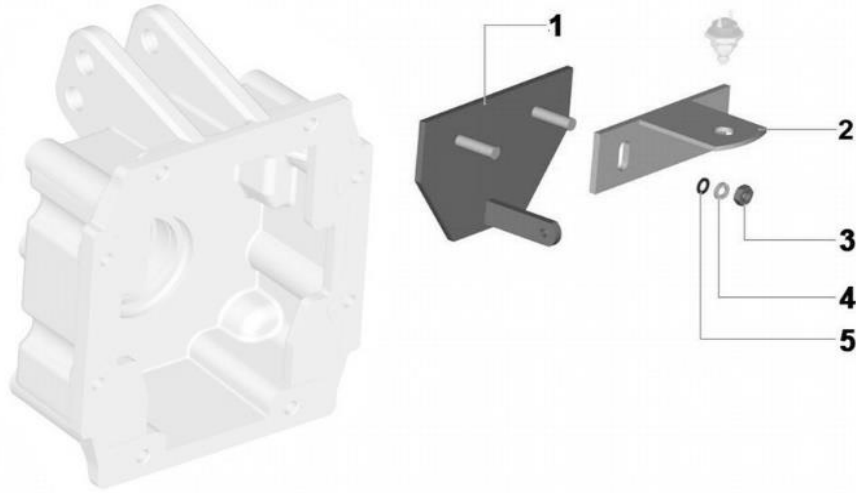
**72.40.7**

8175,8185  
8195,8105

1 0-7252815  
2 0-7256776  
3 0-175896211  
4 0-171197779  
5 0-172644401

M6  
6\*12\*1.2  
6\*15

1 MESNET KOMPLESI BEARER  
1 MESNET SUPPORT  
2 SOMUN NUT  
2 KONİK RONDELA WASHER  
2 PUL WASHER





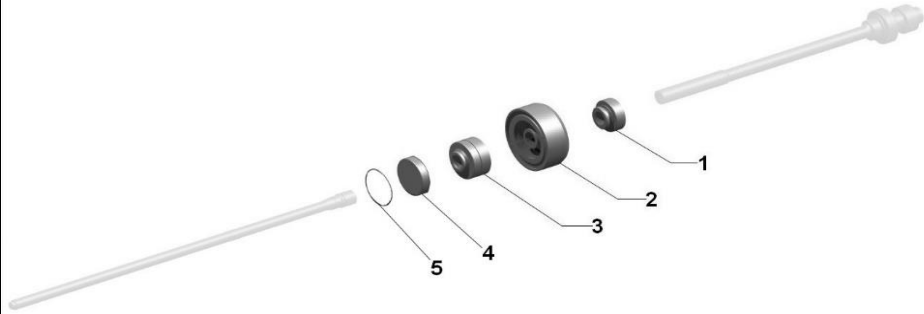
Power Shift  
Power Shift

**72.40.8**

8175,8185  
8195,8105

- 1 0-7257743
- 2 0-7257751
- 3 0-7257739
- 3 0-7259984
- 4 0-7259988
- 5 0-7257750

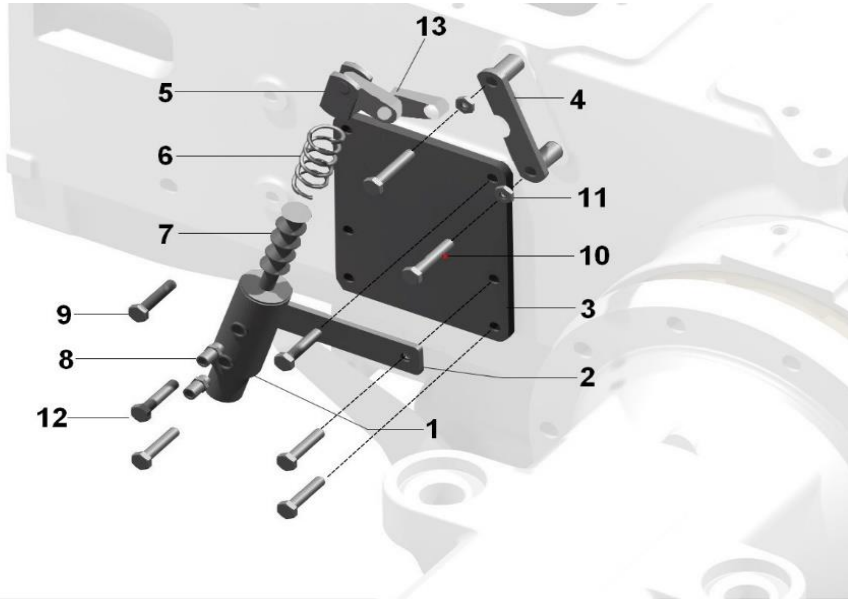
- 1 DİŞLİ GEAR
- 1 POWERSHIFT POWERSHIFT
- 1 KAPLİN COUPLING ESKİ
- 1 KAPLİN COUPLING YENİ
- 1 RULMAN BEARING
- 1 SEGMAN RING



Power Shift  
Power Shift

72.40.9

8175,8185  
8195,8105



1 0-7250679  
2 0-7258828  
3 0-7257745  
4 0-7258876  
5 0-7258986  
6 0-7151536  
7 0-7259087  
8 0-171212111  
9 0-175970721  
10 0-176044121  
11 0-176100821  
12 0-175970921  
13 0-7258827

M10x25

M8\*45

M8

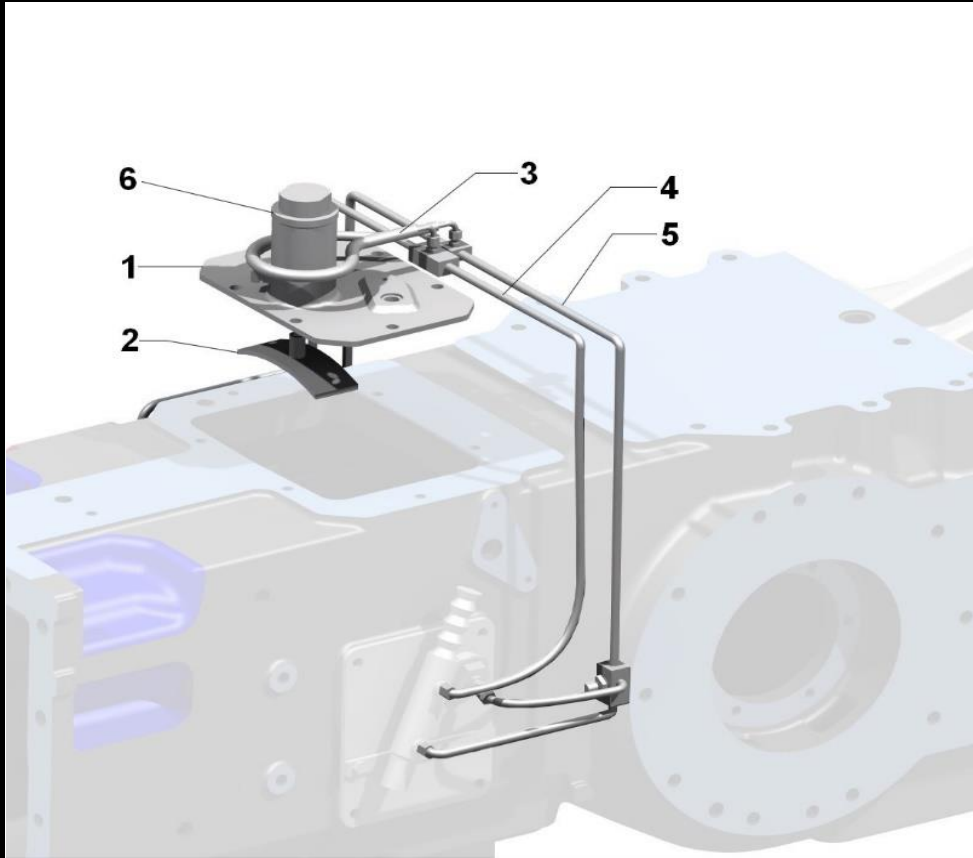
M10\*1.25\*35

1 LİFTOMATİK SİLİNDİRİ LİFTOMATİK CYLINDER  
1 LAMA LAMAR  
1 KAPAK COVER  
1 MESNET POST  
1 ÇATAL FORK  
1 YAY SPRING  
1 KÖRÜK BELLOWS  
2 RAKOR UNIONS  
4 CİVATA BOLT  
2 CİVATA BOLT  
2 SOMUN NUT  
2 CİVATA BOLT  
1 MANİVELA LEVER

Transmisyon Kapak ve Hortumları  
Transmission Cover and Pipes

72.40.10

8175,8185  
8195,8105



- 1 0-7258983
- 2 0-7258982
- 2 0-7259642
- 3 0-7259031
- 4 0-7258888
- 5 0-7258893
- 6 0-7258976

- |   |               |          |
|---|---------------|----------|
| 1 | KAPAK         | COVER    |
| 1 | TUTUCU        | HOLDER   |
| 1 | TUTUCU        | HOLDER   |
| 2 | HORTUM        | HOSE     |
| 1 | BORU          | PIPE     |
| 1 | BORU          | PIPE     |
| 1 | PTO KİLITLEME | PTO LOCK |

ESKİ  
YENİ

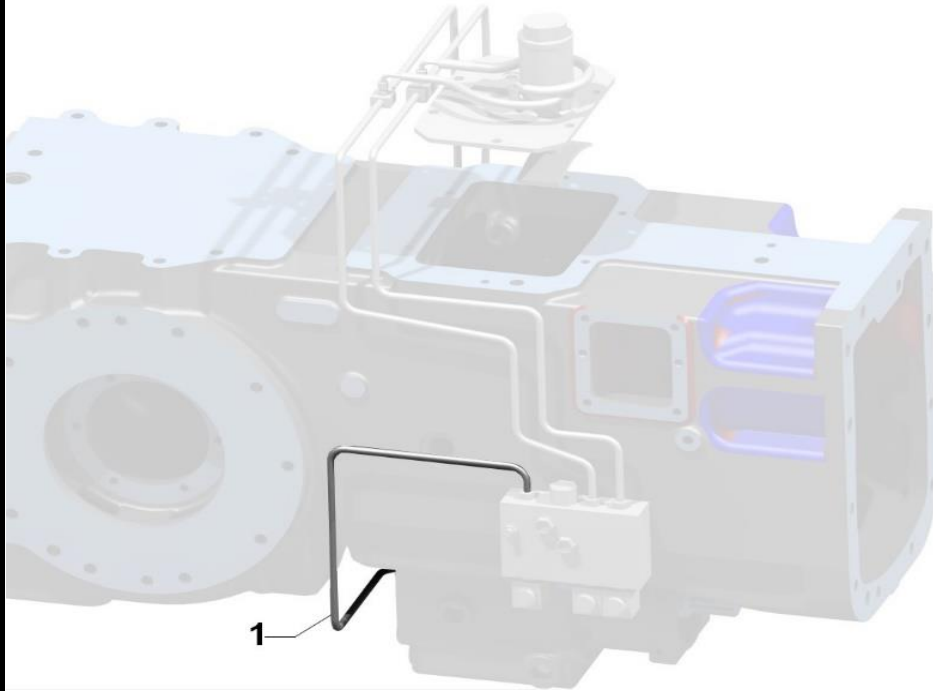
Drop Box Hortumu  
Drop Box Pipe

**72.40.11**

8175,8185  
8195,8105

1 0-7259029

1 BORU PIPE



Arka Aks Kovanı  
Rear Axle Housing

72.41.0

8175,8185  
8195,8105

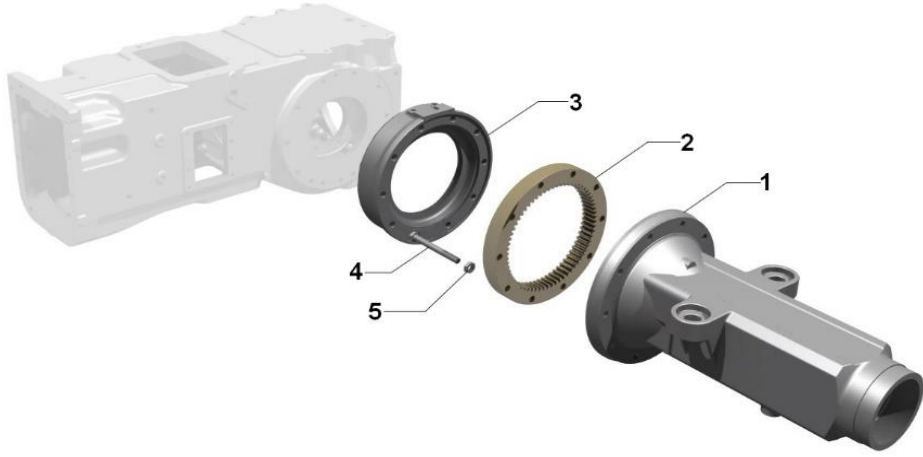
- 1 1-7253949
- 1 1-7259032
- 2 0-7253319
- 3 1-7253841
- 4 0-173558130
- 5 0-7251499

M14\*155

M14\*1.5

- 2 KOVAN AXLE HOUSING
- 2 KOVAN AXLE HOUSING
- 2 GÜNEŞ DİŞLİ ANNULAR GEAR
- 2 ARA PARÇA SPACER
- 20 SAPLAMA STUD
- 20 SOMUN NUT

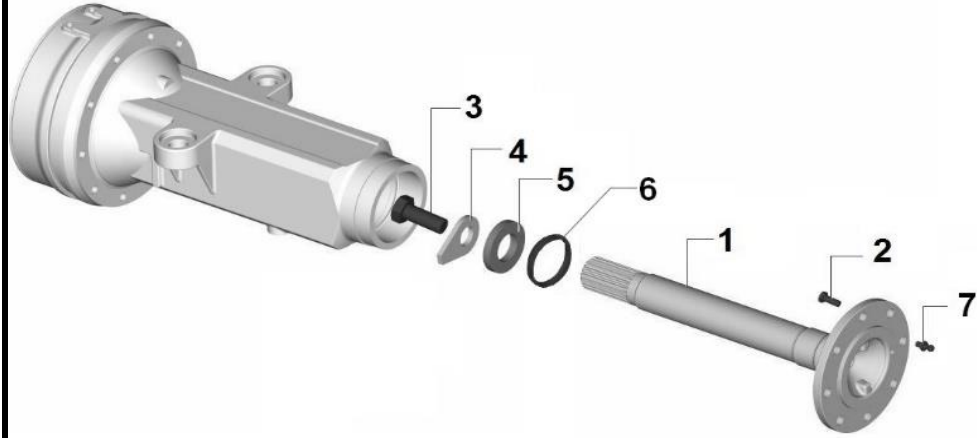
ESKİ  
YENİ



Arka Uzun Aks  
Rear Long Axle

72.41.1

8175,8185  
8195,8105



- 1 0-7253904
- 2 0-7259033
- 2 0-7254221
- 3 0-174258030
- 4 0-7253223
- 5 0-7253222
- 6 0-7253907
- 7 0-173407211

M16\*45

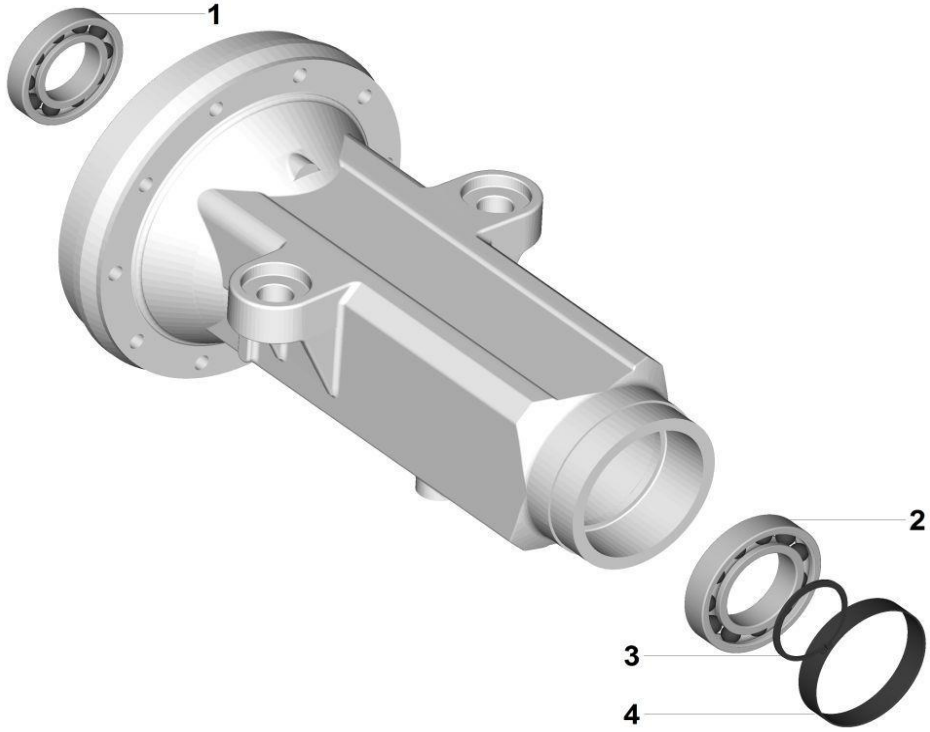
- |    |                |                |      |
|----|----------------|----------------|------|
| 2  | ARKA UZUN AKS  | REAR LONG AXLE | ESKI |
| 2  | ARKA UZUN AKS  | REAR LONG AXLE | YENI |
| 16 | BİJON CIVATASI | BOLT           |      |
| 2  | CIVATA         | BOLT           |      |
| 2  | PLAKA          | PLATE          |      |
| 2  | DİSK           | DISC           |      |
| 2  | BİLEZİK        | BRACELET       |      |
| 2  | GRESÖRLÜK      | NIPPLE         |      |

Arka Aks Rulmanları  
Rear Axle Bearings

72.41.2

8175,8185  
8195,8105

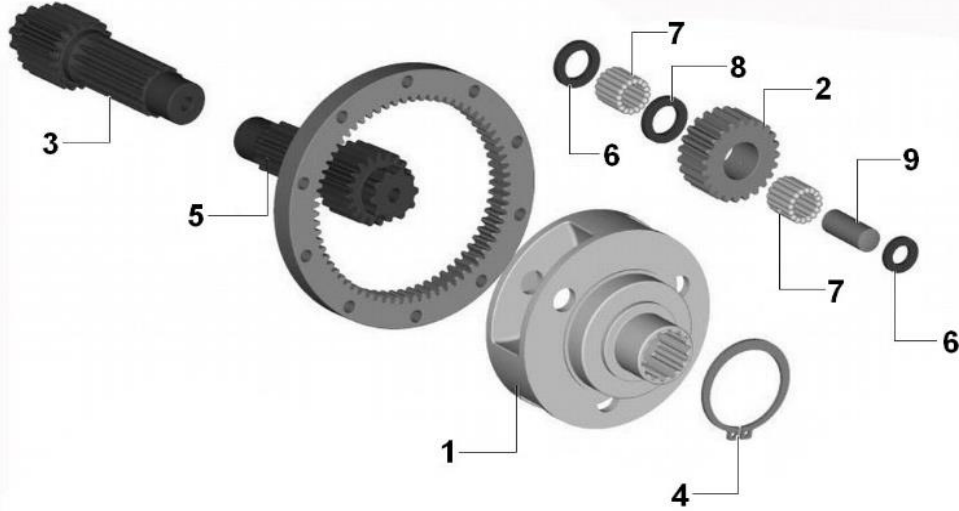
1 0-270141040	60*110*22	2	RULMAN	BEARING
2 0-270645490	75*130*25	2	RULMAN	BEARING
3 0-7253906		2	SEGMAN	CIRCLIP
4 0-7253916		2	KEÇE	SEAL



Arka Aks Kovan Dişlileri  
Rear Axle Unit Gearing

72.41.3

8175,8185  
8195,8105



- 1 0-7253321
- 2 0-7253320
- 3 0-7258922
- 4 0-7253322
- 5 0-7258921
- 6 0-7253221
- 7 0-7253420
- 8 0-7253227
- 9 0-7253224

SAĞ

SOL

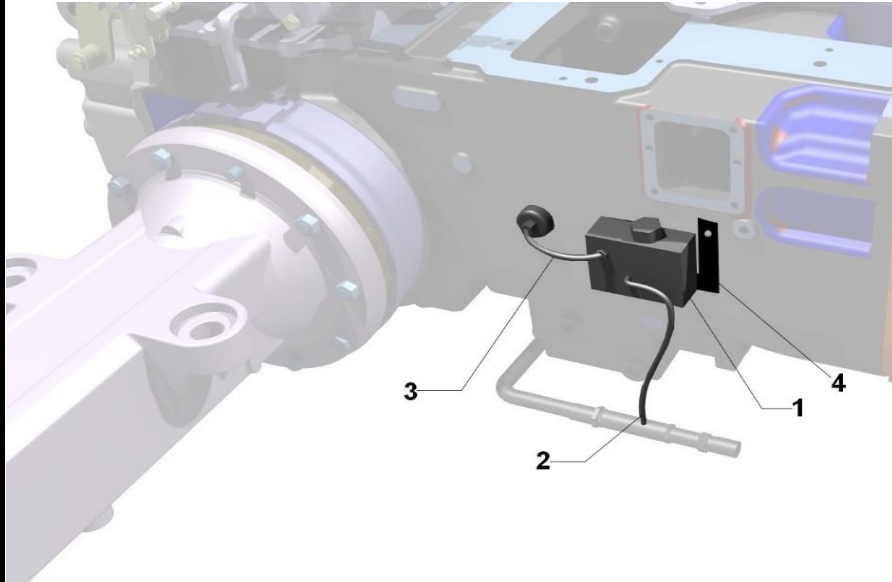
- |     |              |                |
|-----|--------------|----------------|
| 2   | MESNET       | BEARER         |
| 6   | PLANET DIŞLI | EPICYCLIC GEAR |
| 1   | KISA AKS     | AXLE, SHORT    |
| 2   | SEGMAN       | CIRCLIP        |
| 1   | KISA AKS     | AXLE, SHORT    |
| 12  | DESTEK PULU  | WASHER         |
| 228 | İÇNE RULMAN  | BEARING        |
| 6   | BASKI PULU   | WASHER         |
| 6   | PİM          | PIN            |



Regülatör Valfi  
Regulator Valve

**72.41.4**

8175,8185  
8195,8105



1 0-7259471  
1 0-7258720  
1 0-7257752  
2 0-7258322  
3 0-7258334  
4 0-7259079  
4 0-7259510

1	REGÜLATÖR VALFI	REGULATOR VALVE	4'ü
1	REGÜLATÖR VALFI	REGULATOR VALVE	3'ü
1	REGÜLATÖR VALFI	REGULATOR VALVE	2'li
2	HORTUM	HOSE	
1	HORTUM	HOSE	
1	MESNET	SUPPORT	ESKİ
1	MESNET	SUPPORT	YENİ

Yağ Giriş Kapağı ve Mili  
Regulator Valve

**72.41.5**

8175,8185

8195,8105

1 0-7257745

2 0-7257746

1 KAPAK

COVER

1 MİL

SHAFT

