

Pressure control valves

P08R-32

Pressure reducing and relieving valve, differential area, spool type with Hydrodynamic Damping



Description

Pressure reducing and relieving valve, differential area, spool type, which can be adjusted across a prescribed range by changing the spring load. Designed for use as a pressure-limiting device in demanding applications.

Operation mode

Flow is allowed to pass from port 2 to 1, till the pressure in port 1 exceed the pressure setting, the spool of the valve acts to restrict the inlet flow at port 2, in order to keep constant the pressure value at 1. If pressure at 1 exceeds the setting induced by the spring, pressure from 1 is relieved to 3.

The Hydrodynamic Damping ensures excellent stability through the entire flow and pressure range.

GENERAL DATA

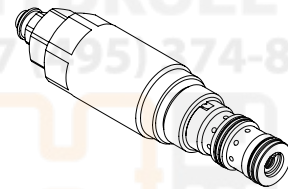
Weight: 0,205 Kg (0,45 lbs).

Ambient temperature range: -30 C° a 60 C° with seals standard (NBR).

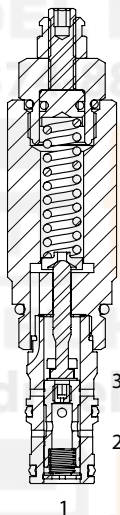
Max proof pressure: 420 bar (5.000 psi).

Flow Max: 12 l/min (3,17 gpm).

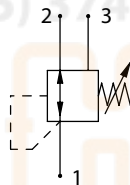
Cartridge materials: high strength steel, internal parts hardened and grinding.



Drawing



Hydraulic symbol

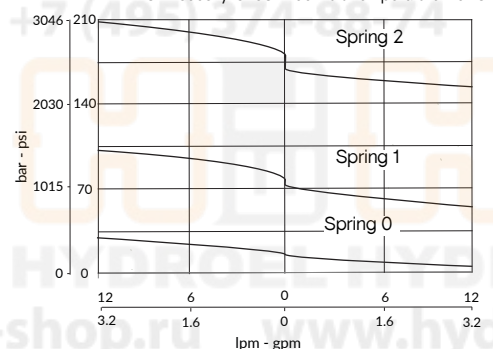


TECHNICAL DATA	
HYDRAULIC	
Max. pressure reduced in 1:	210 bar (3046 psi)
Max. working pressure in 2:	350 bar (5.000 psi)
Max. working pressure in 3:	25 bar (362 psi) [pressure on port 3 to be added to setting value]
Flow rate:	See performance graph
Fluid: Viscosity:	Mineral based oil From 15cSt to 250 cSt
Leakage*:	100 cc/min (2.000 drops/min)
Standard seals:	O-ring NBR seals + Polyurethane
Cavity:	SCN0830
Installation torque:	27 N/m
Installation torque nut Hex 10:	4 N/m
Max contamination level:	NAS 8 ISO 4406 19/17/14
Fluid temperature range:	From -20 to +80 C°
Seals kit std.:	K0102N00

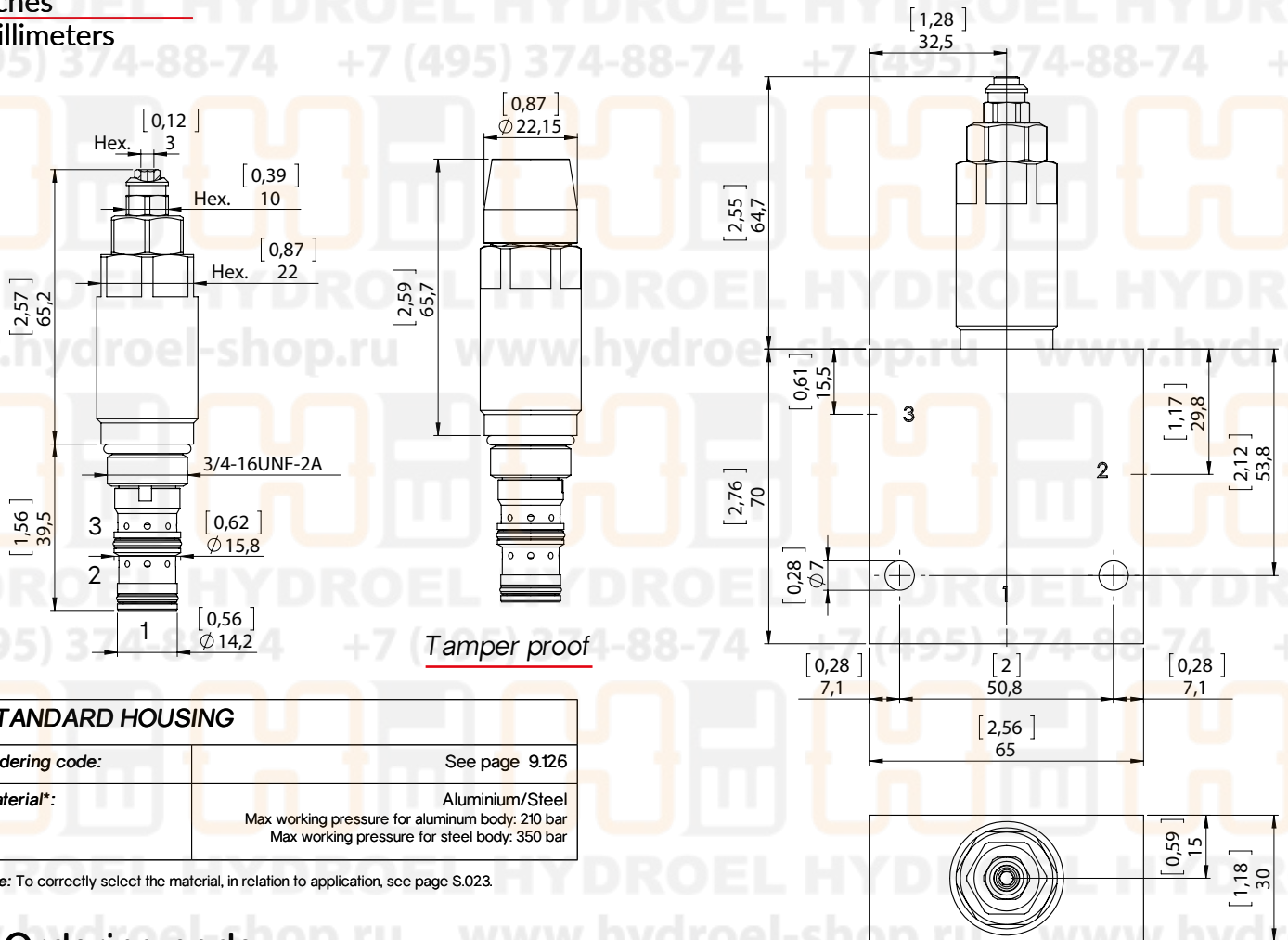
*Note: The leakage are to be considered at a pressure equal to 80% of the setting request.

Performance graph

Oil viscosity: 32cSt/200 Fluid temperature: 40° C



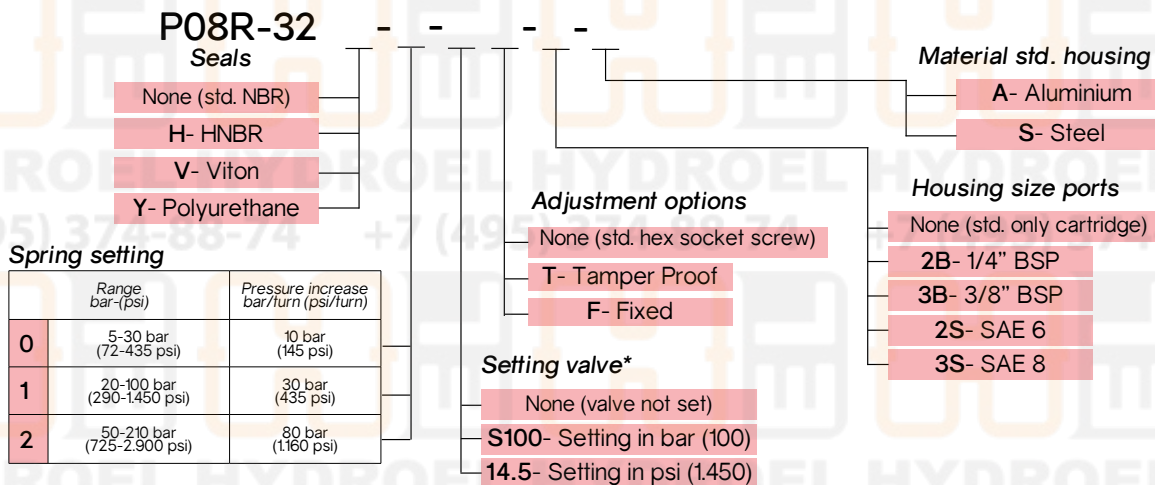
Inches
Millimeters



STANDARD HOUSING	
Ordering code:	See page 9.126
Material*:	Aluminium/Steel Max working pressure for aluminium body: 210 bar Max working pressure for steel body: 350 bar

*Note: To correctly select the material, in relation to application, see page S.023.

Ordering code



*Note: Settings are performed at a flow rate of 4 l/min.