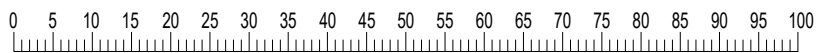
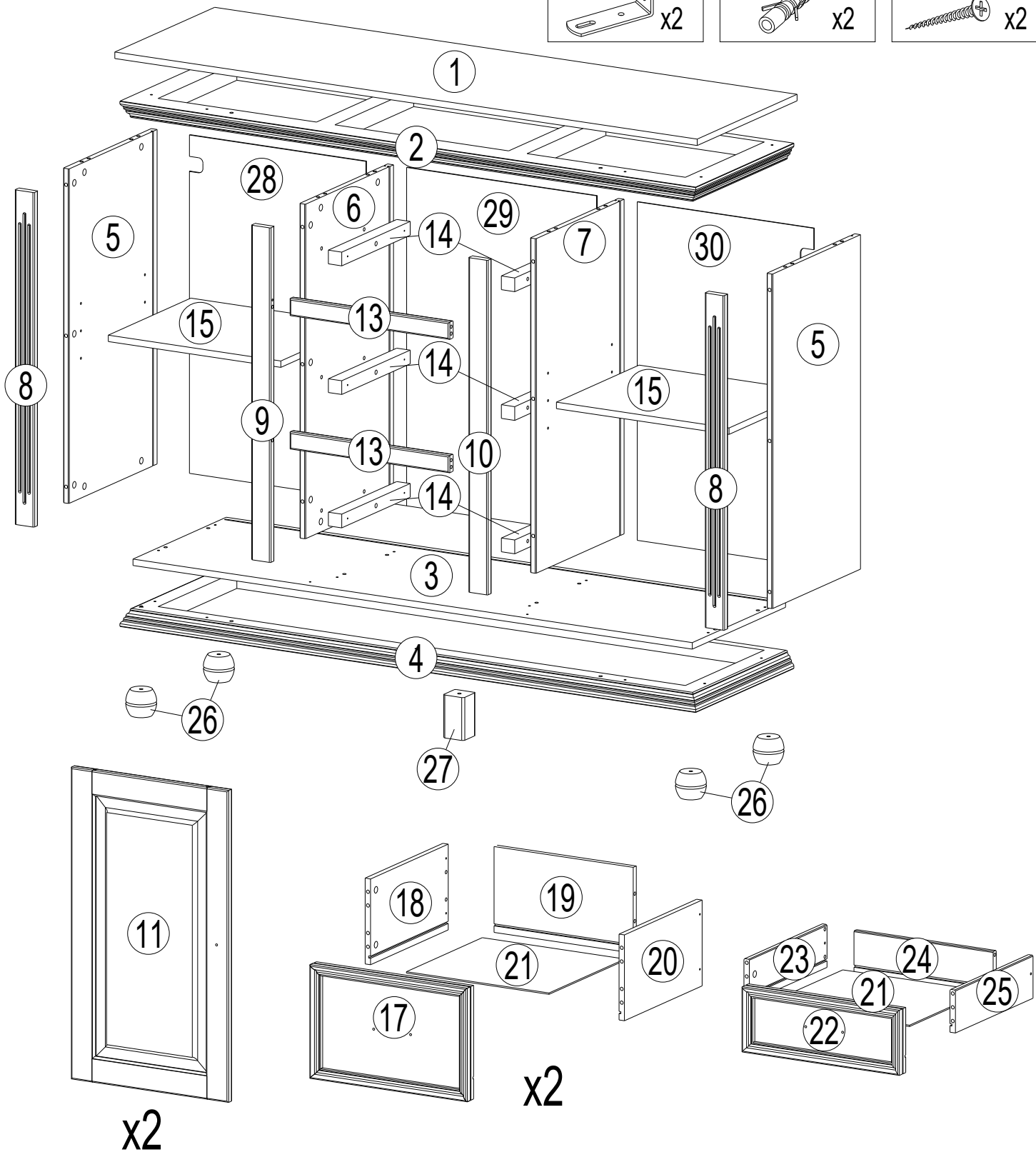
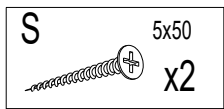
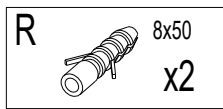
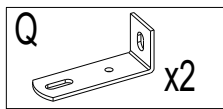
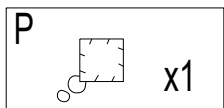
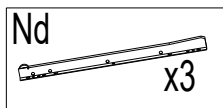
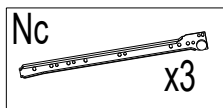
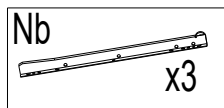
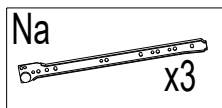
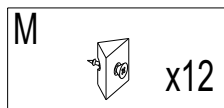
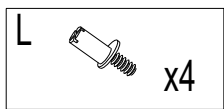
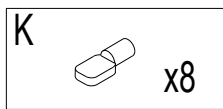
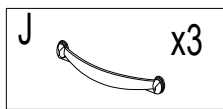
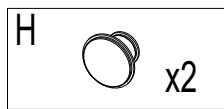
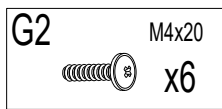
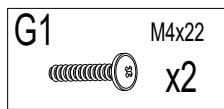
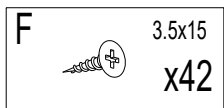
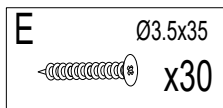
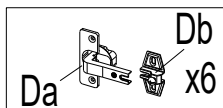
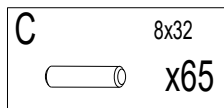
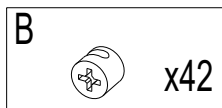
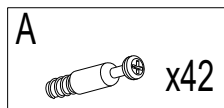
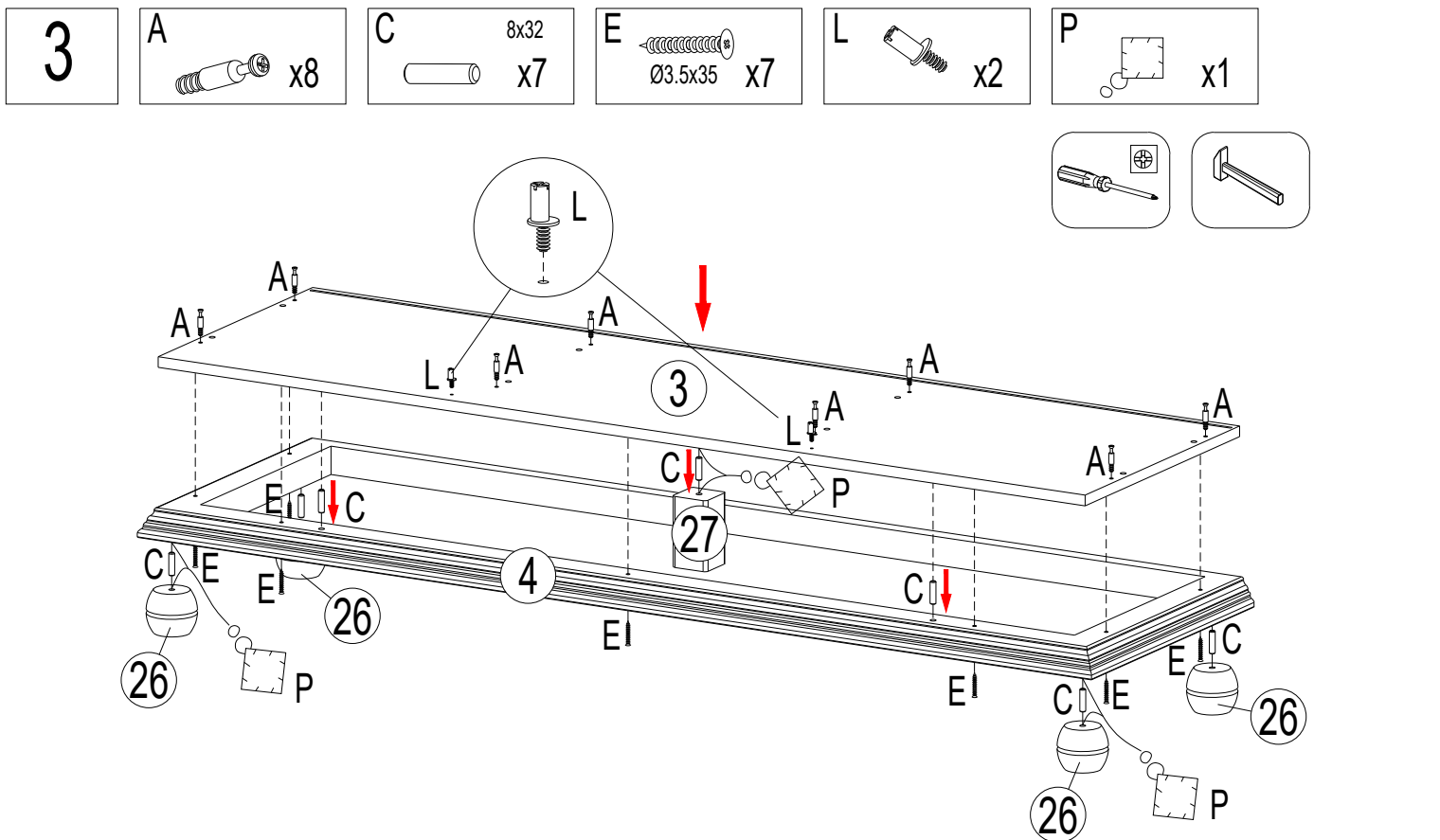
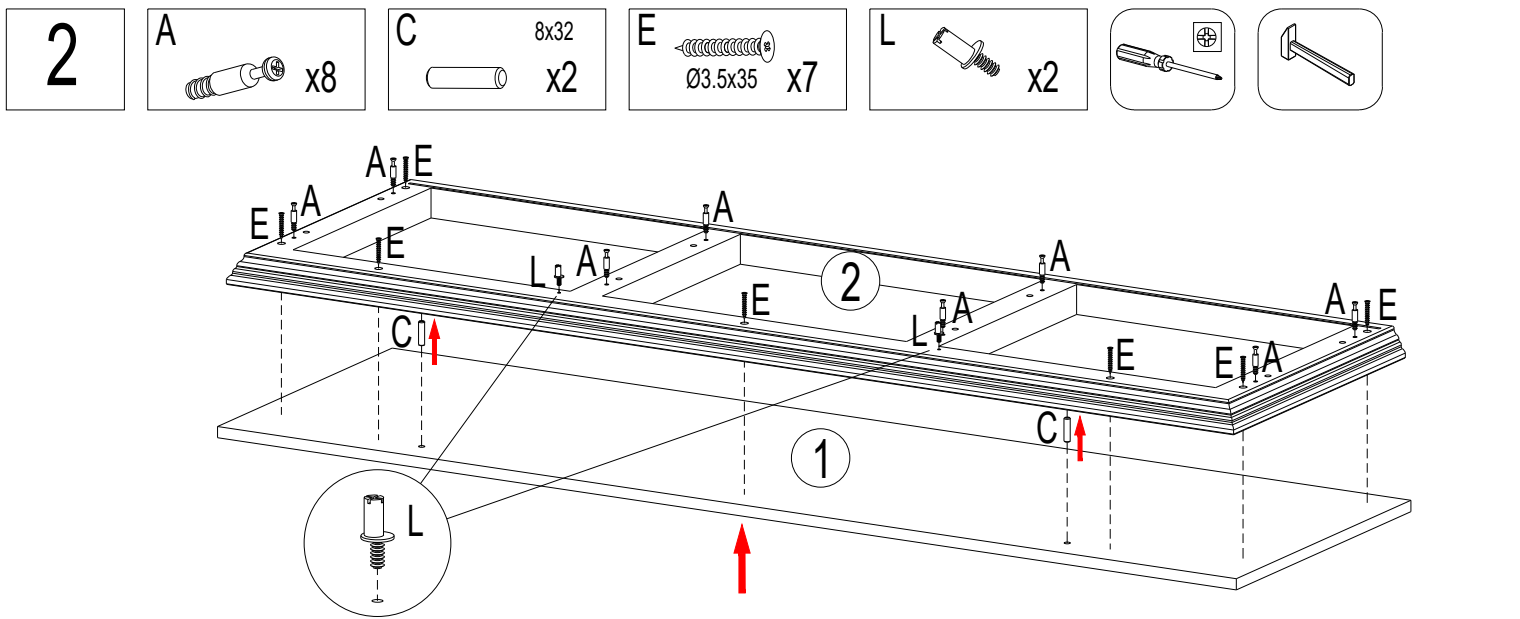
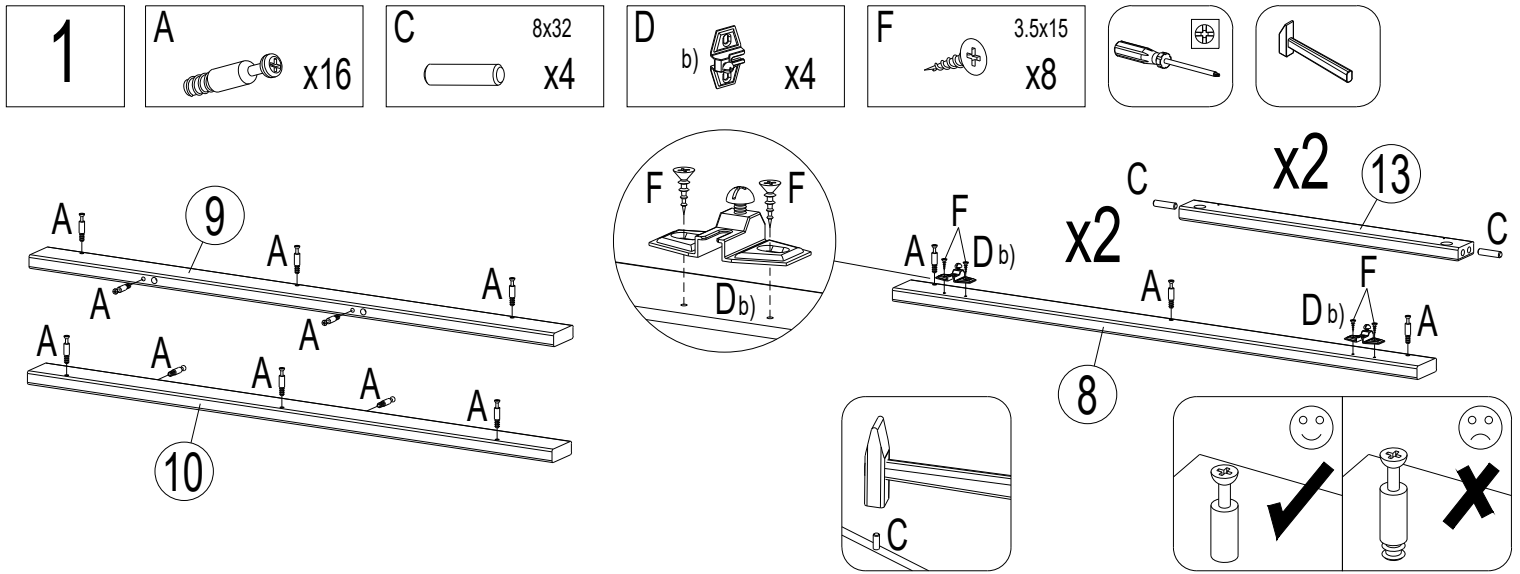



90 min

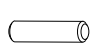


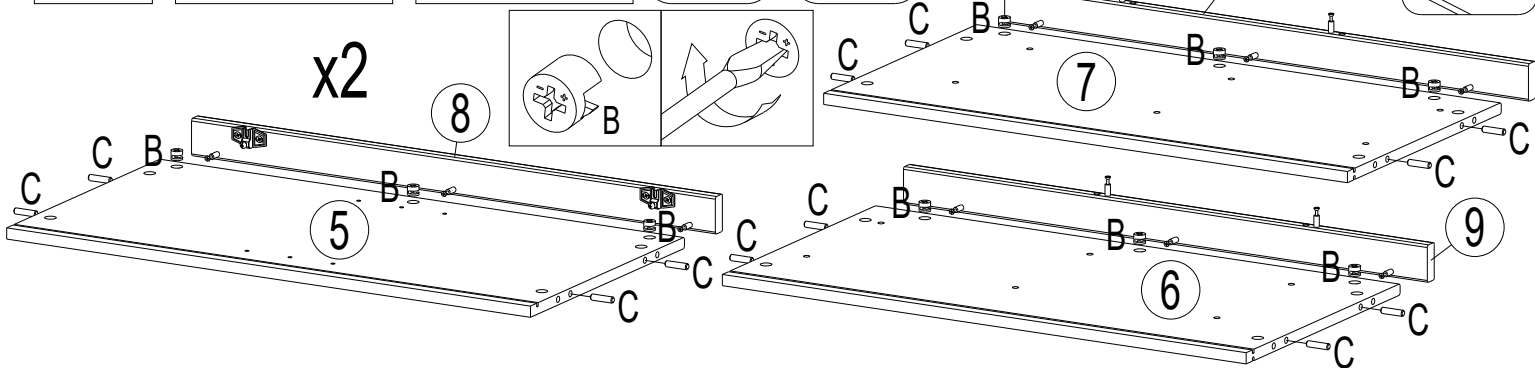
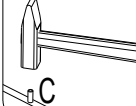
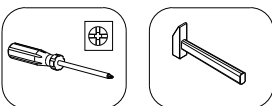
№	Size/MaB (mm)	Qty	Colli №	✓	№	Size/MaB (mm)	Qty	Colli №	✓
1	1515x450x15	1	1/2		16				
2	1498x442x40	1	1/2		17	409x265x33	2	1/2	
3	1455x420x15	1	1/2		18	350x200x14	2	1/2	
4	1498x442x40	1	1/2		19	362x200x14	2	1/2	
5	780x397x15	2	2/2		20	350x200x14	2	1/2	
6	780x397x15	1	2/2		21	371x342x3	3	1/2	
7	780x397x15	1	2/2		22	409x152x33	1	1/2	
8	780x50x18	2	2/2		23	350x100x14	1	1/2	
9	780x50x18	1	2/2		24	362x100x14	1	1/2	
10	780x50x18	1	2/2		25	350x100x14	1	1/2	
11	774x409x18	2	1/2		26	60x70x70	4	1/2	
12					27	100x54x54	1	1/2	
13	415x40x18	2	1/2		28	789x459x3	1	2/2	
14	308x35x32	6	1/2		29	789x494x3	1	2/2	
15	449x372x15	2	1/2		30	789x459x3	1	2/2	



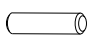
4

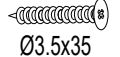
B  x12


C  8x32 x16





5

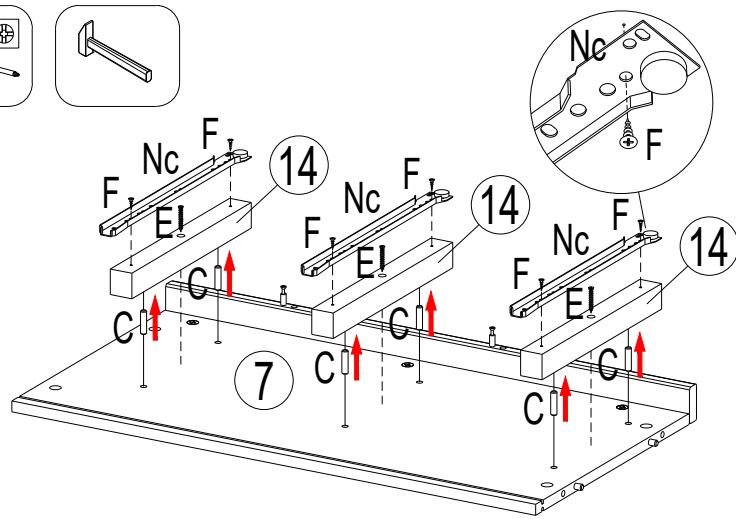
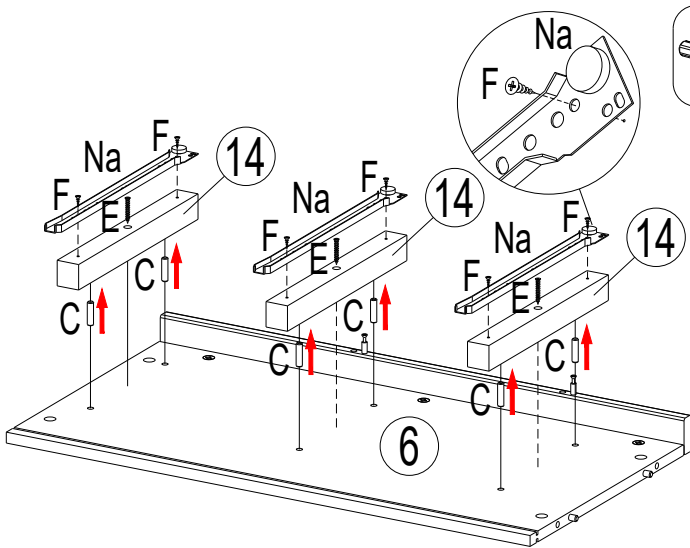
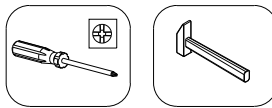
C  8x32 x12

E  Ø3.5x35 x6


F  3.5x15 x12

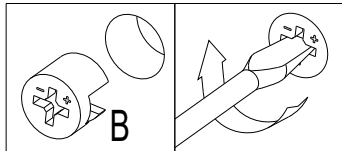
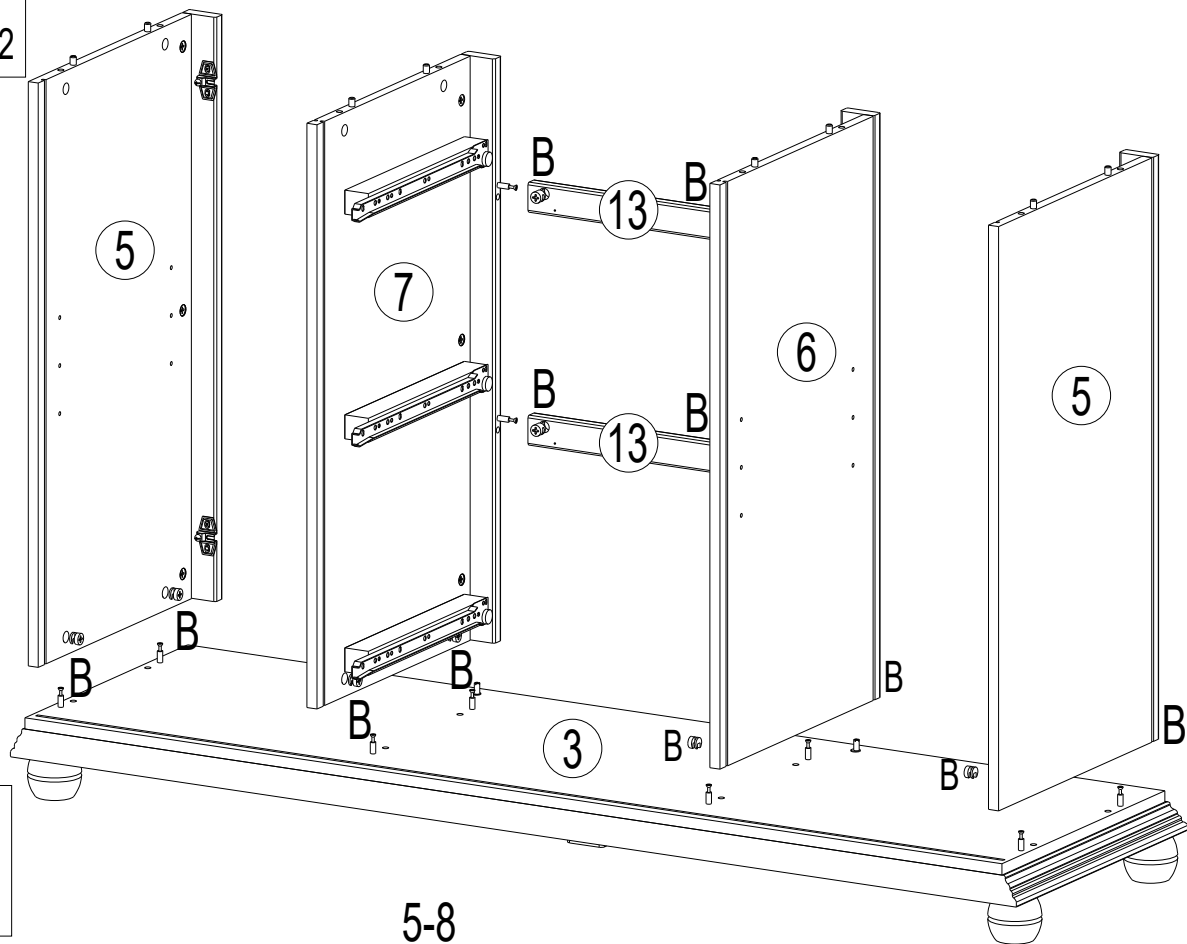
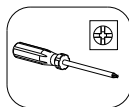
Na  x3

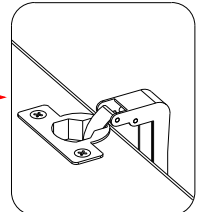
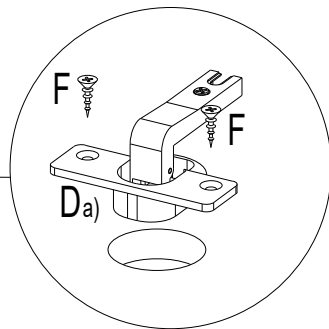
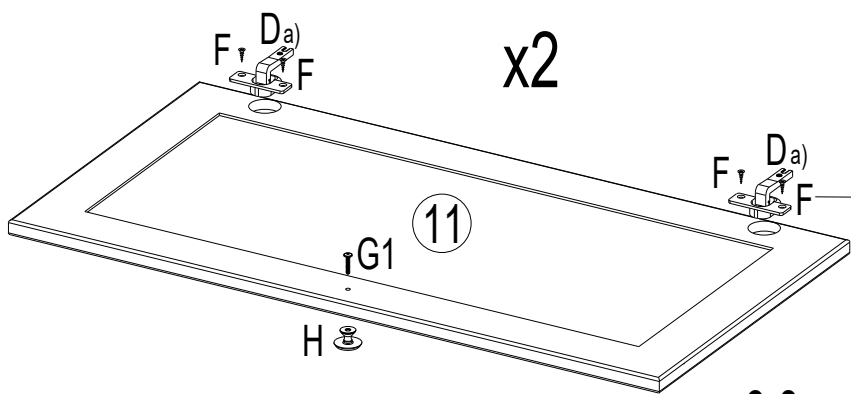
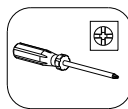
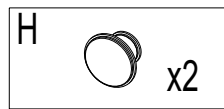
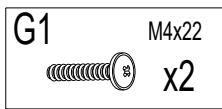
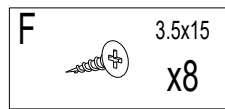
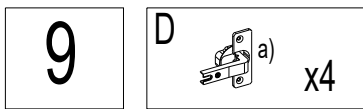
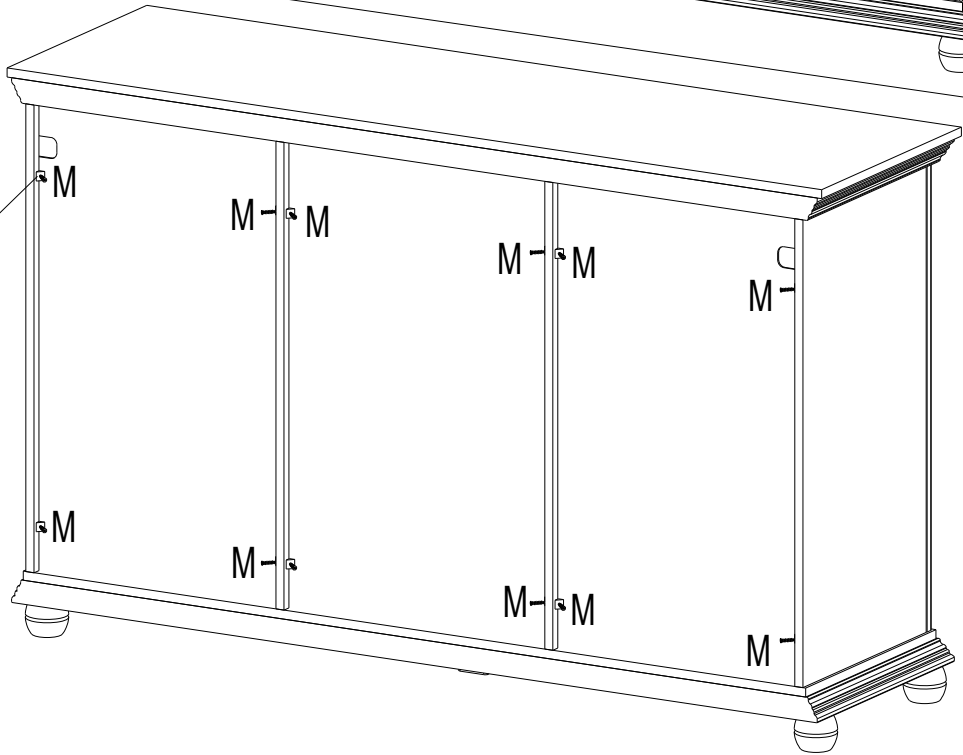
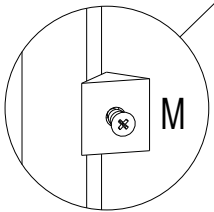
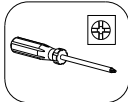
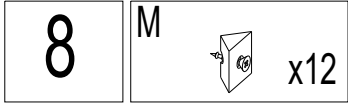
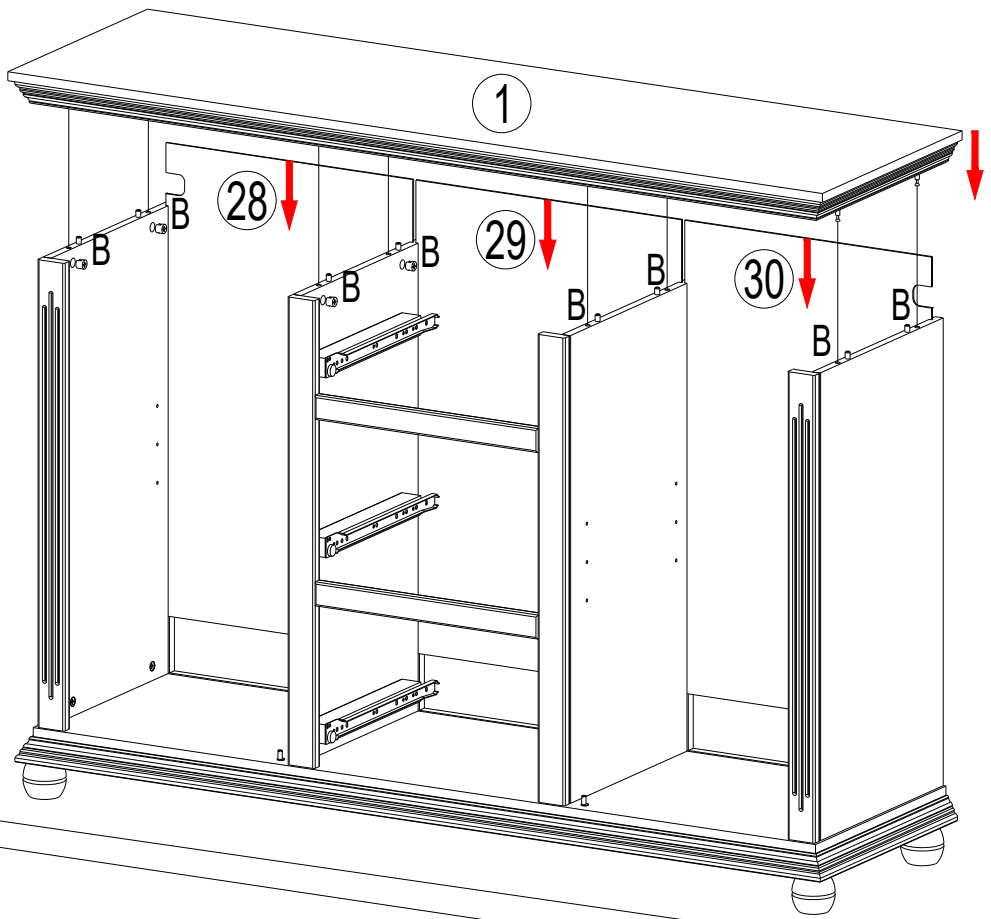
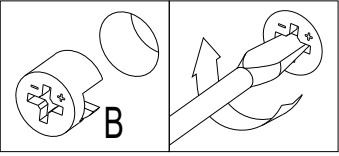
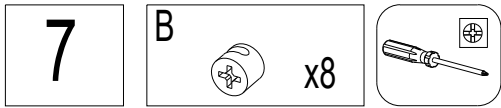
Nc  x3

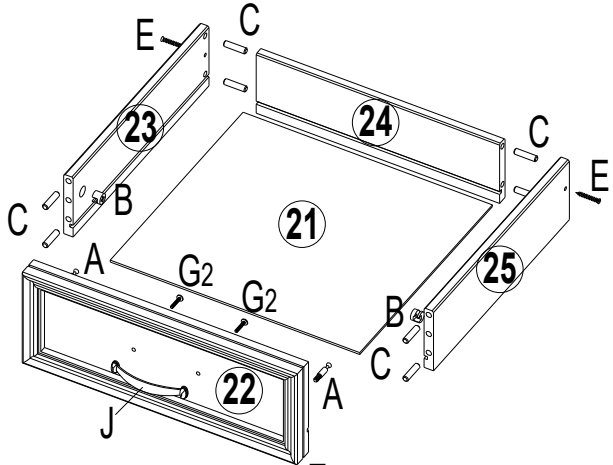
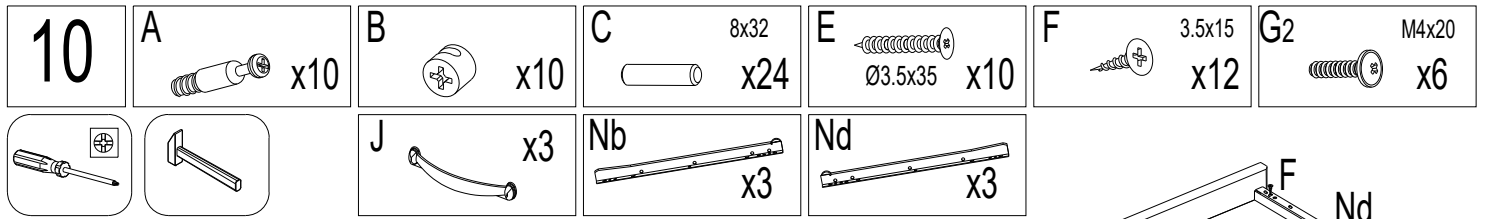


6

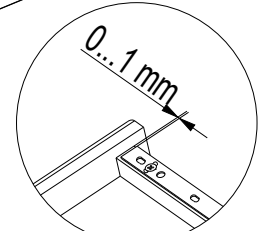
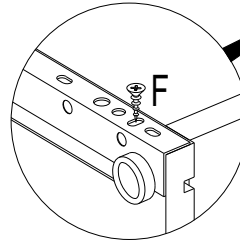
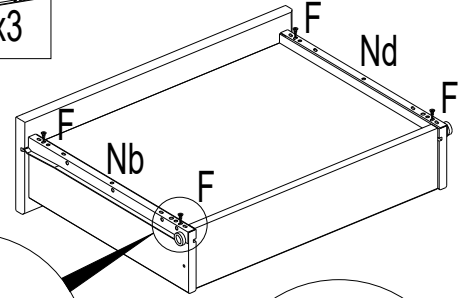
B  x12



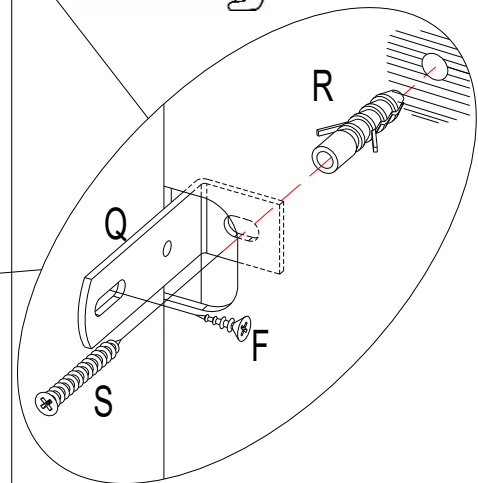
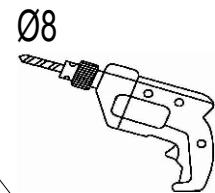
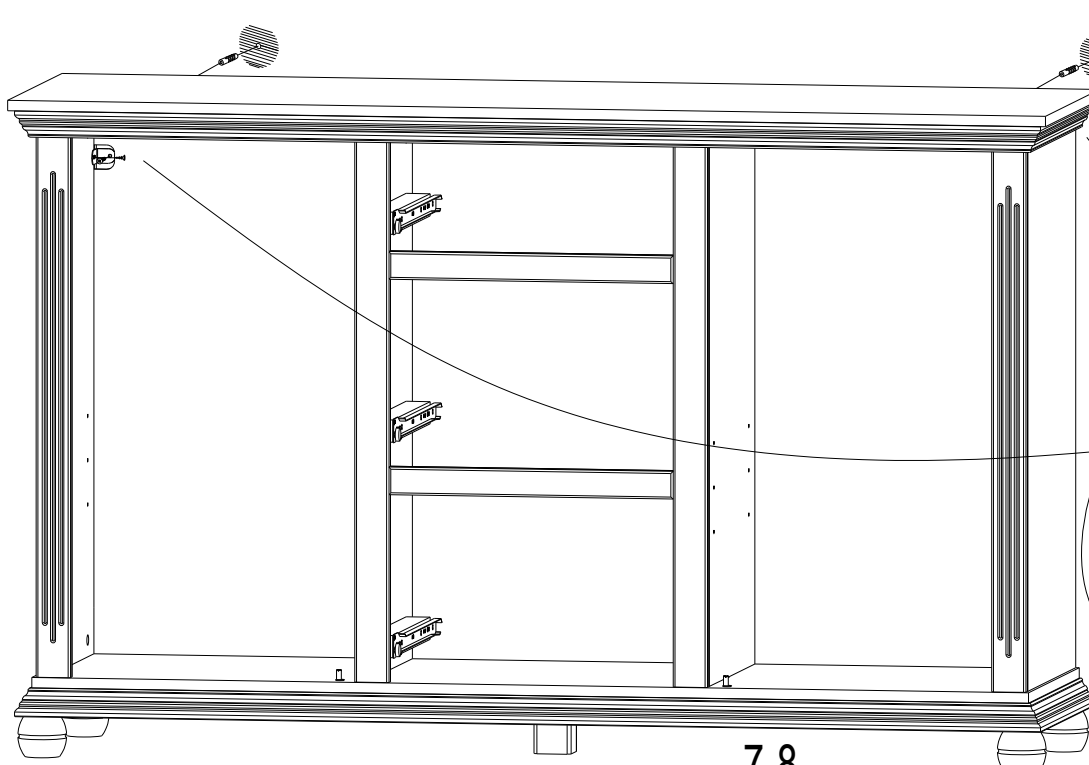
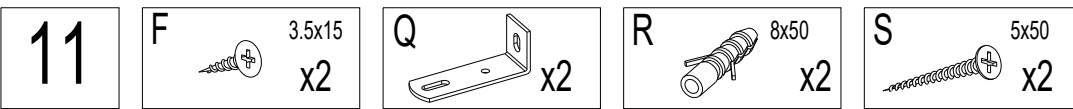
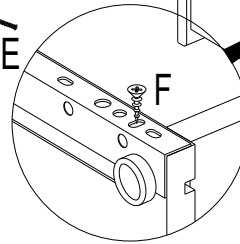
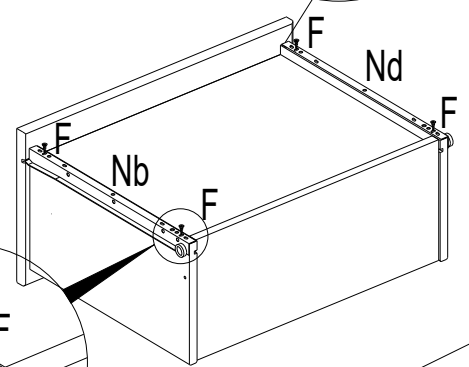
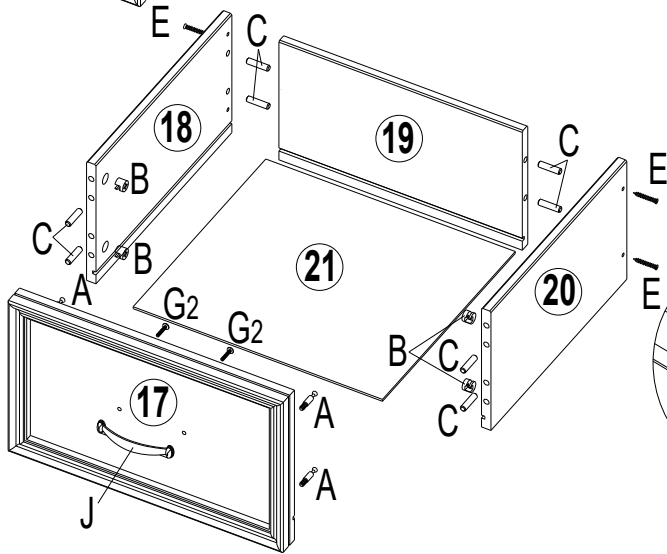




x1



x2



7-8

12

K x8

