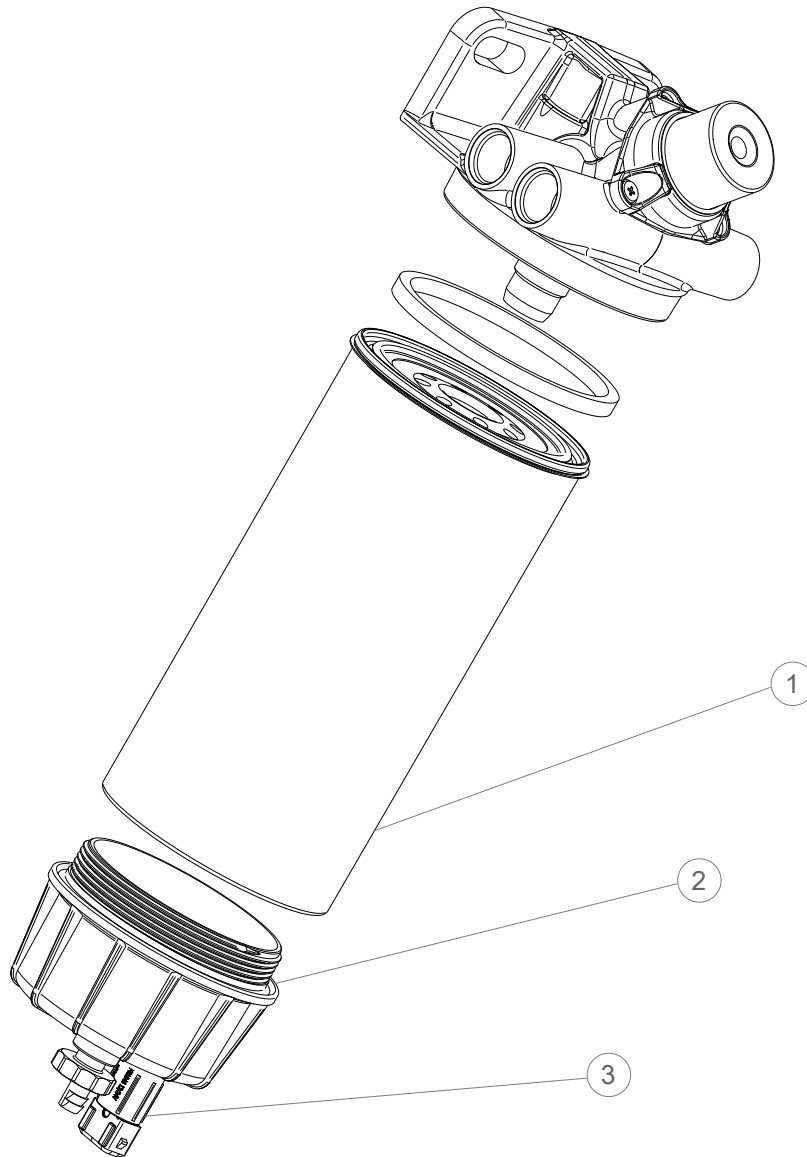


Iveco

Primary Applications: Stralis - Euro 6



#	Description	OEM Part Number	Racor Part Number
-	FFWS assembly, with water sensor, no heater	580 1510 524	LDP160R20RCR02
-	FFWS assembly, with water sensor, 12/24V heater	580 1510 519	LDP160R20RCR10
-	FFWS assembly, with water sensor, no heater, thermal valve 150° orientation	580 1699 334	LDP160R20RCR18
1	Replacement element	580 1620 130	R160G
2	Bowl assembly	Racor exclusive	DRK 00055
3	WIF sensor assembly	Racor exclusive	DRK 00230