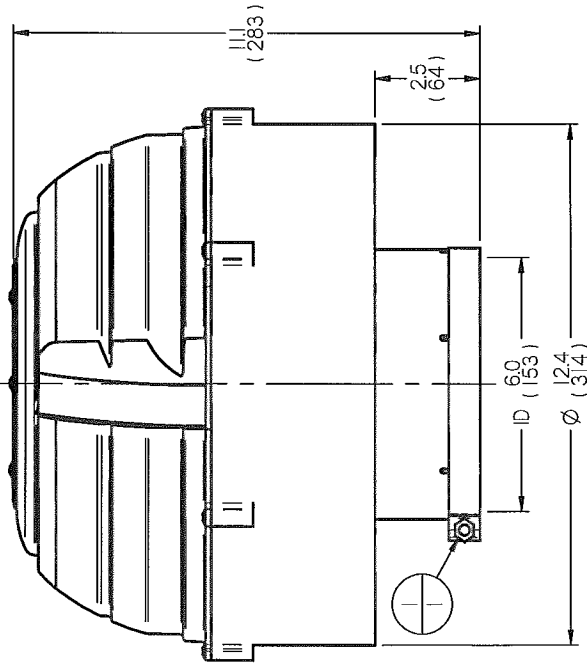
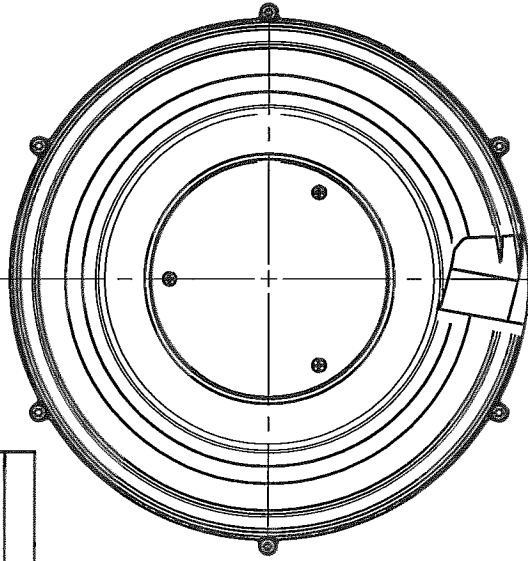


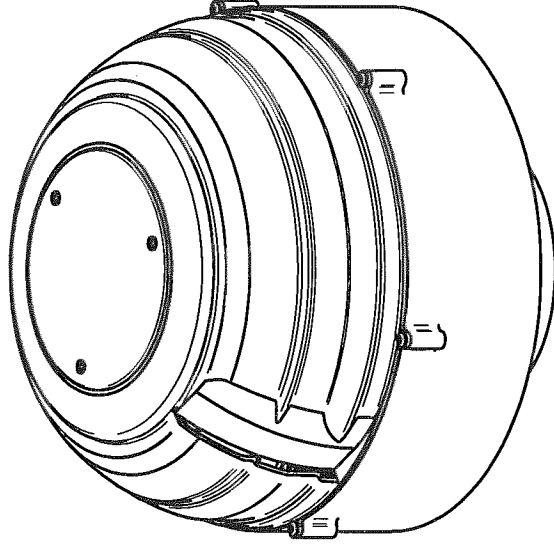
CUSTOMER: SY-KLONE INTERNATIONAL

CUSTOMER PART NO: 9002

NOTES



DRW. REV.	DESCRIPTION OF CHANGE	REV. BY	DATE	CHECKED BY	DATE
11	CHANGED DIMENSIONS TO 1 DECIMAL	TCJ	5/21/08	ELE	5/21/08
12	CHANGED FORMAT	ELE	10/06/09	SWR	10/06/09



Item Number	Part Number	Description	Quantity
1	91588	91588 T-BOLT CLAMP	1

SY-KLONE INTERNATIONAL
 10000 W. STATE ST.
 JACKSONVILLE, FL 32217
 PHONE: 904.254.2200
 FAX: 904.254.2201
 WWW.SY-KLONE.COM

THE INFORMATION HEREIN IS THE PROPERTY OF SY-KLONE INTERNATIONAL, AND ITS SUBSIDIARIES. ANY COPYING, REPRODUCTION, OR TRANSMISSION OF THIS INFORMATION WITHOUT WRITTEN PERMISSION IS PROHIBITED. ALL RIGHTS RESERVED UNDER THE COPYRIGHT LAWS.

UNLESS OTHERWISE SPECIFIED DIMENSIONS ARE IN INCHES
 ALL DIMENSIONS AND OPERATIONS IN PARENT DIMENSIONS ARE TO BE TAKEN FROM THE DIMENSIONAL LINE UNLESS OTHERWISE SPECIFIED
 DIMENSIONAL TOLERANCES: ±.005 (0.127) ±.002 (0.051) ±.001 (0.025)
 FINISH: N/A
 EST. WEIGHT: N/A
 ALL MACHINED SURFACES: SEE KEY PRODUCT CHARACTERISTICS
 SAFETY COMPLIANCE
 FIT/FUNCTION
 TOTAL ON DRAWING: 0
 DRAWING TYPE: SALES
 REF. DRAWING: 0709PRT

DRAFT BY: *TCJ* DATE: *10/6/09*
 CHECKED BY: *TCJ* DATE: *10/6/09*
 PART BY: *TCJ* DATE: *10/6/09*
 PART NO: 9002
 DESCRIPTION: PRE-CLEANER
 DRAWING NO: 9002-11-SYK-12.dft
 GEOMETRY NO: 9002-11
 GEOMETRY REV: II SHEET I OF I SIZE B

Solid Edge