



Architektur-Eck 45/82/48

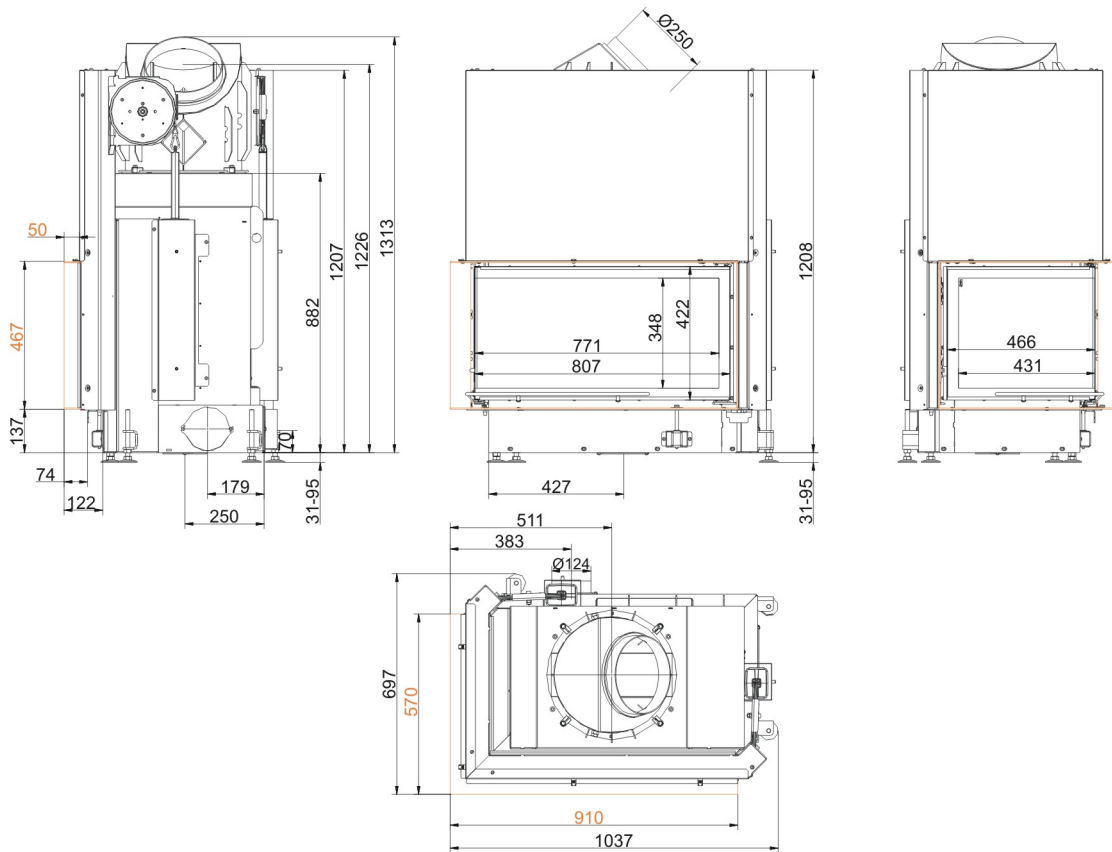
lifting door (easy-lift)

State: 2018-01-24

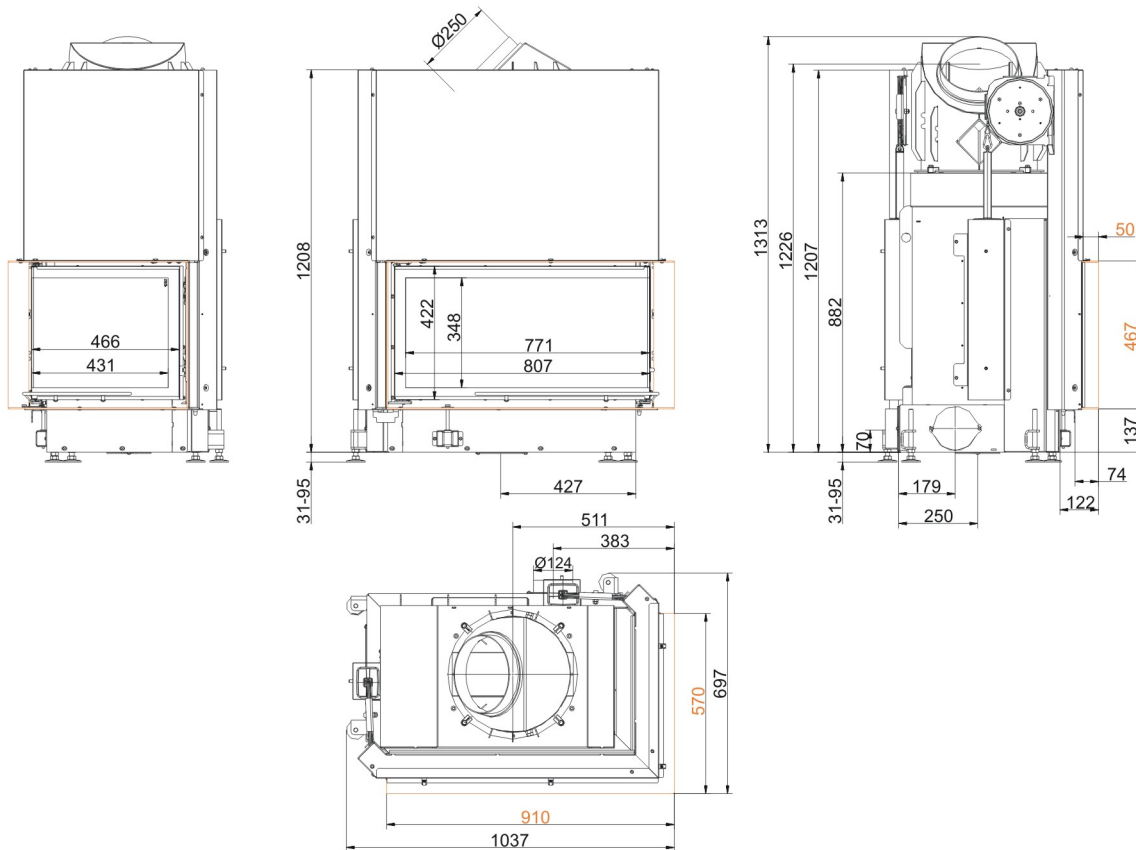


BRUNNER[®]
made in germany.

Dimension sheets - Architektur-Eck 45/82/48 lifting door (easy-lift)

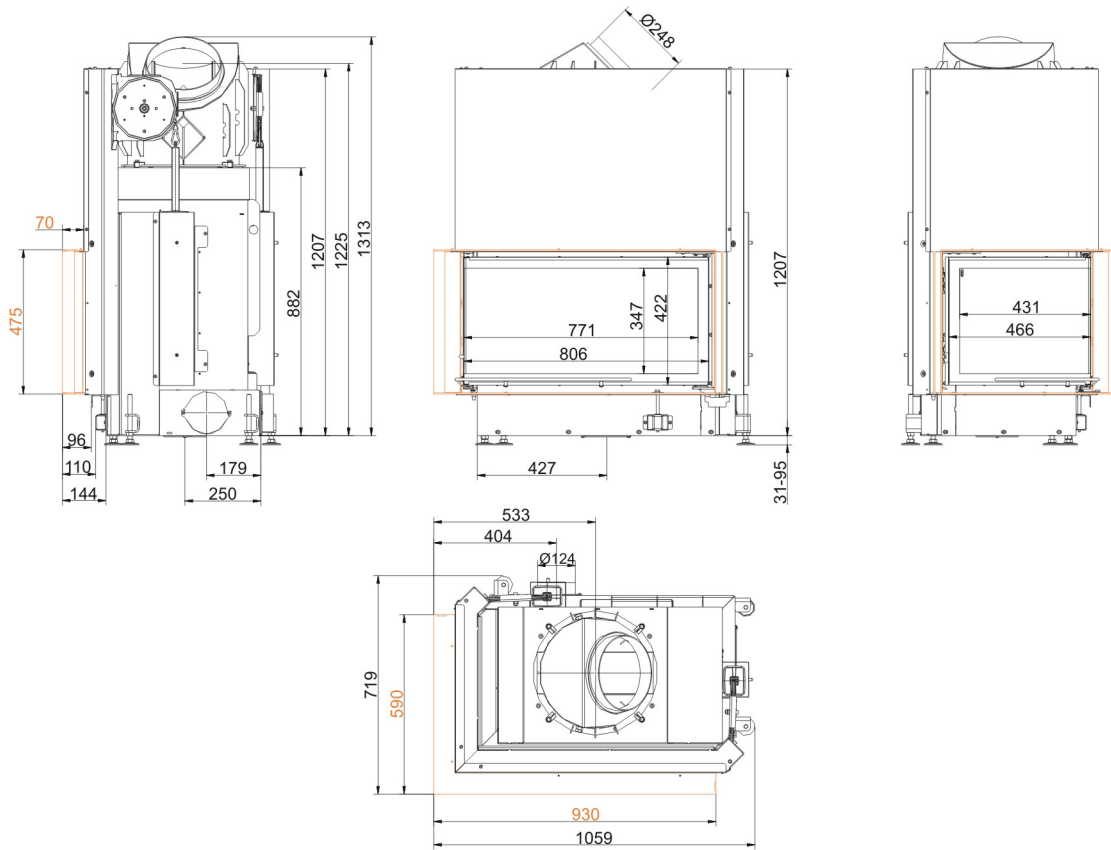


... left with mounting frame 50 mm

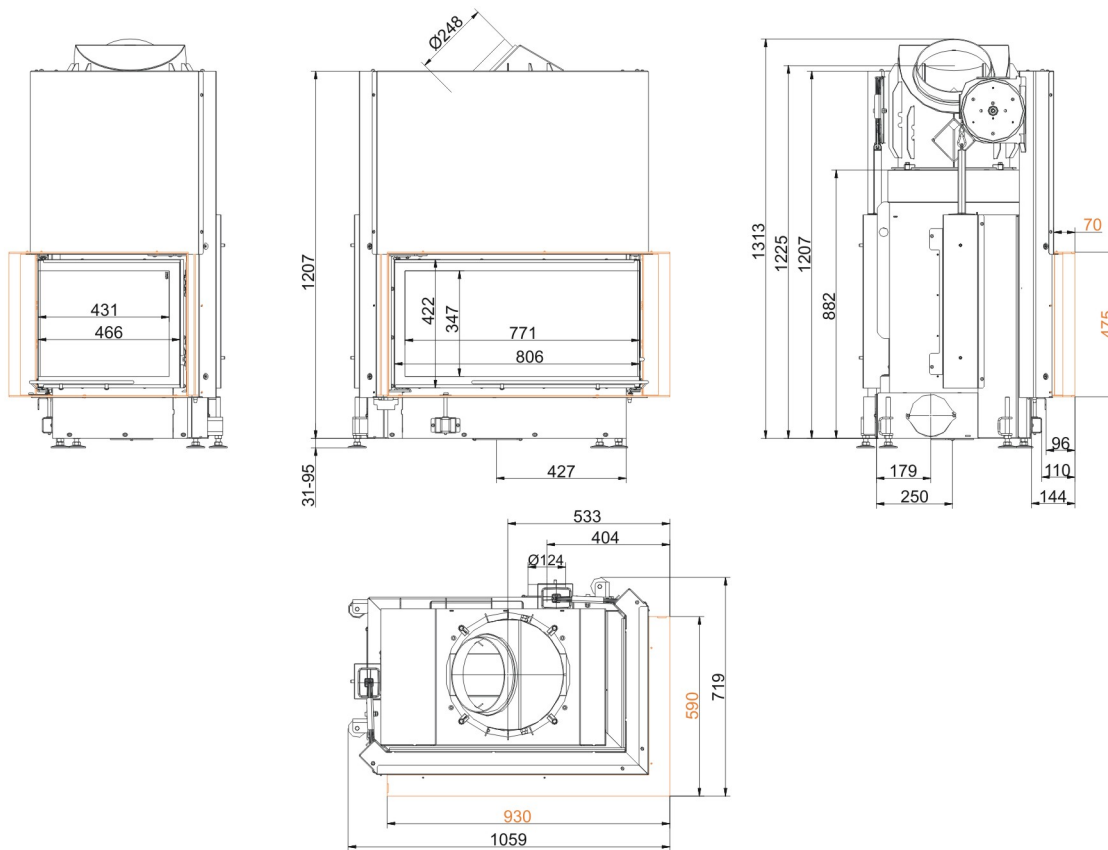


... right with mounting frame 50 mm

Dimension sheets - Architektur-Eck 45/82/48 lifting door (easy-lift)



... left with mounting frame 70 mm



... right with mounting frame 70 mm

We suggest for CAD planing Palette CAD. Permanent updated drawings: www.brunner.de
 Frames / front versions are marked colored.

Planning and installation - Architektur-Eck 45/82/48 lifting door (easy-lift)

| Tested according to | | EN 13229 W | EN 13229 WA | EN 13229 W |
|---|---|-----------------|-----------------|------------|
| Values measured at | | Rated capacity | Accumulation | Open |
| Suitable for all construction types according to rules | | OK | OK | OK |
| EEl | | 105.7 | 105.7 | 105.7 |
| Data for functional demonstration | | | | |
| Rated heat power | kW | 12 | - | - |
| Fire wood volume | kg/h | 3.6 | 5 | 3.5 |
| Combustion performance | kW | 16 | 22 | 16 |
| Flue gas mass flow | g/s | 11 | 19 | 90 |
| Outlet temperature (before heating surface) | °C | - | 325 | - |
| Flue gas temperature after: | | | | |
| steel smoke hood | °C | 195 | 260 | 118 |
| 1 x adjoining cast iron radiator (GNF 8/10) | °C | - | 142 | - |
| 6 x accumulation rings (MAS) ¹⁾ | °C | - | 200 | - |
| 2 m ceramic accumulator ²⁾ | °C | - | 180 | - |
| 1,4 m accumulation stones (MSS) ²⁾ | °C | - | 180 | - |
| Necessary supply pressure | Pa | 12 | 15 | 9 |
| Combustion air consumption | m ³ /h | 32 | 50 | 220 |
| Combustion air connection Ø | mm | 125 | 125 | - |
| Heat distribution | | | | |
| Insert / heat accumulator | % | 25 / 30 | 25 / 30 | - |
| Glass pane (single / double) | % | 45 / - | 45 / - | - |
| Cross-section of gratings ³⁾ | | | | |
| Supply air | cm ² | 700 / 100 / 400 | 700 / 100 / 400 | - |
| Warm air | cm ² | 700 / 100 / 400 | 700 / 100 / 400 | - |
| Minimal oven surface for closed construction type | | | | |
| Heat dissipating surface | m ² | 5 | 5 | - |
| Minimal distances of the fireplace | | | | |
| to insulation layer | cm | 8 | 8 | 8 |
| to mounting floor | cm | 15 | 15 | 15 |
| Thermal insulation without / with air gratings ⁴⁾ | | | | |
| Mounting wall | cm | 14 / 10 | 14 / 10 | 14 / 10 |
| Floor | cm | 2 / 2 | 2 / 2 | 2 / 2 |
| Ceiling | cm | 19 / 14 | 19 / 14 | 19 / 14 |
| Brick lining for combustible wall | cm | 10 | 10 | 10 |
| Weight | | | | |
| Fireplace / combustion room | kg | 238 / 71 | | |
| Meets requirement/limit values for: | | | | |
| Germany/ Austria / Suisse / Norway | 1.BImSchV (Stufe 2) / 15a BVG (2015) / LRV / NS 3059 | | | |

- 1) Damper flap recommended
- 2) Approximate value. Proof of function provided by calculation required
- 3) for fireplace inserts / flue gas pipe / metallic reheating surface
- 4) Values determined with upper air sections; stove cladding is heat emitting.