

BRUNNER FIREPLACES



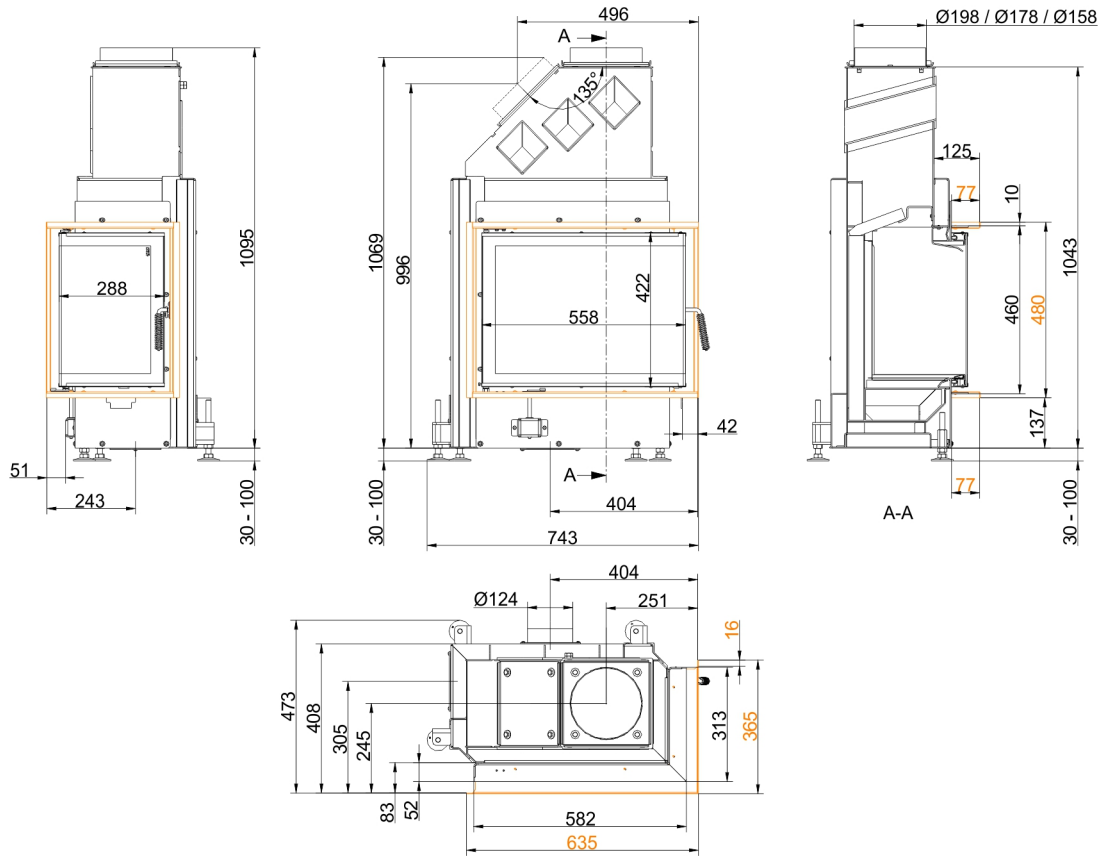
## Eck-Kamin 42/57/30 side-opening door

State: 2018-01-24

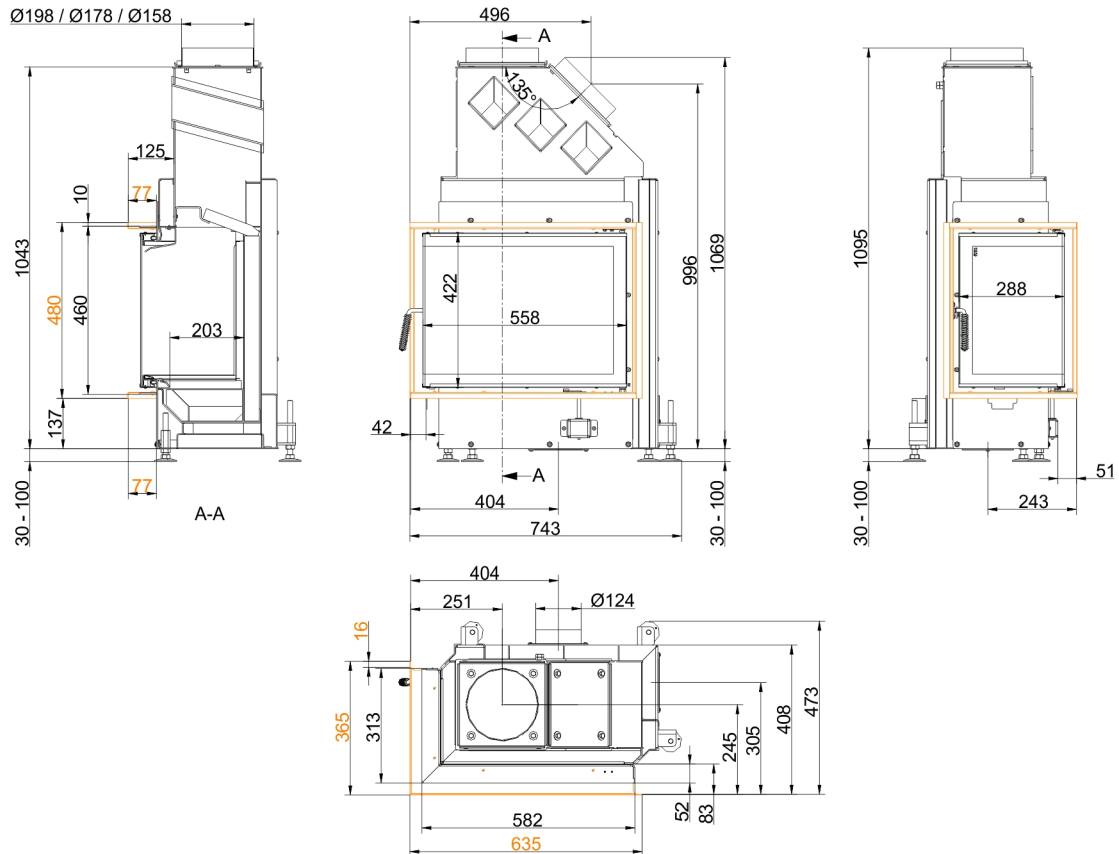


**BRUNNER**<sup>®</sup>  
*made in germany.*

# Dimension sheets - Eck-Kamin 42/57/30 side-opening door



... right with side-opening door



... left with side-opening door

We suggest for CAD planing Palette CAD. Permanent updated drawings: [www.brunner.de](http://www.brunner.de)  
Frames / front versions are marked colored.

## Planning and installation - Eck-Kamin 42/57/30 side-opening door

Tested according to		EN 13229 W	EN 13229 WA
Values measured at		Rated capacity	Accumulation
Suitable for all construction types according to rules		OK	OK
EEL		109.9	109.9
<b>Data for functional demonstration</b>			
Rated heat power	kW	8	-
Fire wood volume	kg/h	3	5
Combustion performance	kW	11	18
Flue gas mass flow	g/s	9	21
Flue gas temperature after:			
attached steel smoke hood	°C	180	195
Necessary supply pressure	Pa	12	15
Combustion air consumption	m <sup>3</sup> /h	30	50
Combustion air connection Ø	mm	125	125
<b>Heat distribution</b>			
Insert / heat accumulator	%	25 / 30	25 / 30
Glass pane (single / double)	%	45 / -	45 / -
<b>Cross-section of gratings <sup>1)</sup></b>			
Supply air	cm <sup>2</sup>	800 / 100 / -	800 / 100 / -
Warm air	cm <sup>2</sup>	800 / 100 / -	800 / 100 / -
<b>Minimal oven surface for closed construction type</b>			
Heat dissipating surface	m <sup>2</sup>	3.5	3.5
<b>Minimal distances of the fireplace</b>			
to insulation layer	cm	8	8
to mounting floor	cm	4	4
<b>Thermal insulation without / with air gratings <sup>2)</sup></b>			
Mounting wall	cm	14 / 12	14 / 12
Floor	cm	2 / 2	2 / 2
Ceiling	cm	16 / 14	16 / 14
Brick lining for combustible wall	cm	10	10
<b>Weight</b>			
Fireplace / combustion room	kg	99 / 37	
<b>Meets requirement/limit values for:</b>			
Germany/ Austria / Suisse / Norway		1.BImSchV (Stufe 2) / 15a BVG (2015) / - / -	

1) for fireplace inserts / flue gas pipe / metallic reheating surface

2) Values determined with upper air sections; stove cladding is heat emitting.