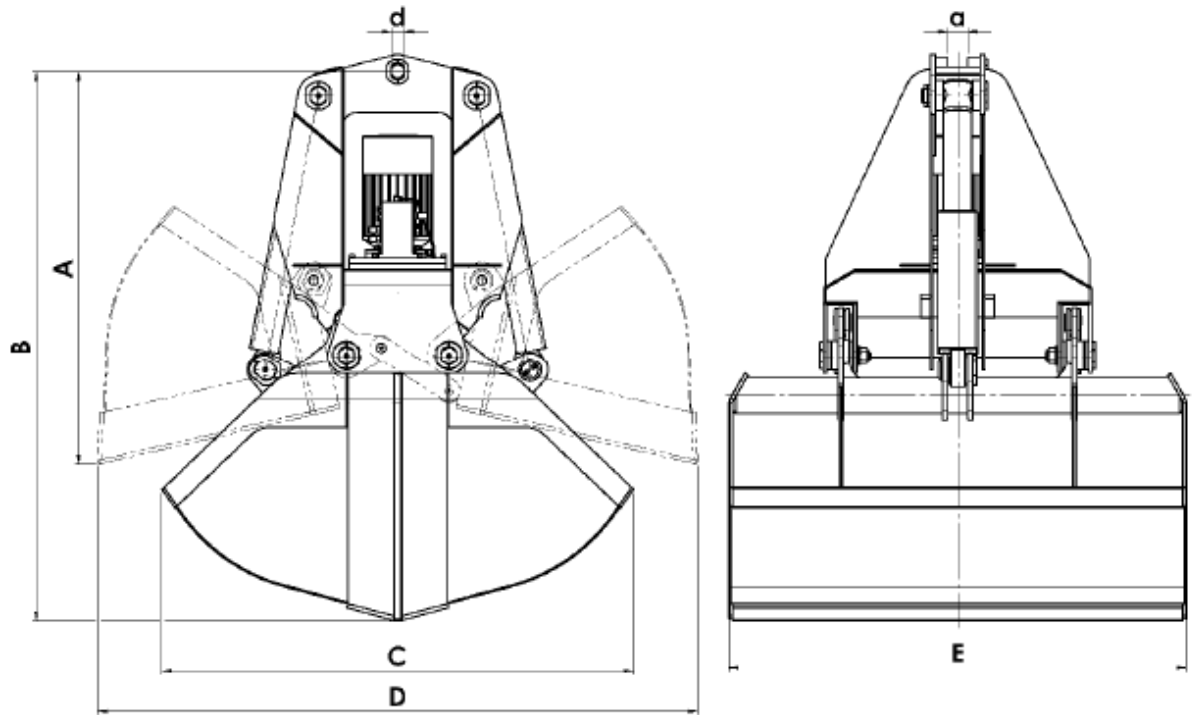


## Data sheet Motor Clamshell Grab

## WN 2.3



*Subject to change without notice!*

<b>Technical data</b>		<i>I</i>	<i>II</i>
Grab capacity	[m <sup>3</sup> ]	8,0	
Bulk density	[t/m <sup>3</sup> ]	1,45	
Angle of repose	[°]	30	
Grab dead weight	[kg]	6.500	
SWL min.	[kN]	181	
Motor output (at 40% ED)	[kW]	37,5	
Voltage	[V]	400	
Frequency	[Hz]	50	
Operating pressure	[bar]	220	
Closing time	[sec]	17,0	

<b>Dimension</b>		<i>I</i>	<i>II</i>
A	[mm]	2.580	
B	[mm]	3.530	
C	[mm]	3.080	
D	[mm]	3.800	
E	[mm]	2.850	
a	[mm]	150	
Ø d	[mm]	100	