

Motor and Pump Assembly

## Spareparts MASTER HEATERS

MODEL 35 CED 35,000 Btu/Hr Model

## PARTS LIST

Key No.	Part Number	Description	Qty.	Key No.	Part Number	Description	Qty.
1	4110.130	Handle	1	18-17	4101.666	Blade	4
2	4103.842	Upper Shell 1		18-18	4108.590	Screw, #10-32 x 3/4"	2
3	4109.590	Screw/Lockwasher, 1/2"	6	19	4103.685	Fan Guard	1
4	4100.638	Combustion Chamber	1	20	4108.486	Hex locknut	2
5	4100.671	Heat Shield	1	21	4101.152	Bushing (wires)	2
6	4160.602	Screw, #10-16 x 3/4"	2	22	4110.124	Screw/Lockwasher, 1/2"	11
7	4100.658	Photocell Bracket	1	23	4105.195	Lower Shell	1
8	4103.529	Screw, #6-32 x 3/8"	2	24	4104.170	Clip Nut	6
9	4103.552	Photocell Assembly	1	25	4110.133	Screw, #10-32 x 3/4"	1
10	4110.563	Power Cord	1	26	4104.147	Rubber Airline	1
11	**	Burner Strap Assembly	1	27	4109.567	Fuel Line	1
11-1	4110.092	Bracket	1	28	4110.195	Wire Assembly (red)	1
11-2	4109.526	Spark Plug	1	29	4100.541	Rubber Bushing	1
11-3	4100.664	Nozzle Adapter	1	30	4110.135	Fuel Filter Assembly	1
11-4	4109.518	Nut, 14mm	1	31	4110.609	Electronic Ignitor	1
11-5	4100.648	Nozzle	1	32	4108.510	Screw, #10-16 x 3/4"	2
12	4105.287	Power Line RFI Filter	1	33	4106.110	Terminal Board	1
13	4101.151	Bushing	1	34	4110.571	Rivet	1
14	4150.528	Strain Relief Bushing	1	35	4104.196	Flame-Out Control	1
15	4103.651	Fan	1	36	4103.891	Fuel Tank Cap	1
16	4150.553	Rubber Bumper	2	37	4110.136	Fuel Tank	1
17	4109.560	Motor Bracket	1	38	4104.175	Side Cover	1
18	**	Motor and Pump		39	4110.134	Nut, #10-32	3
		Assembly	1	40	4109.592	Hex Nut	1
18-1	4106.098	Motor (230V/50Hz)	1	41	4101.151	Bushing	1
18-2	4101.532	Pump Body	1	42	4110.610	Vinyl Foam Gasket	1
18-3	4108.635	Insert	1	43	4100.527	Lock Washer, #10	2
18-4	4103.441	Rotor	1	44	4110.165	Wire Assembly (black)	2
18-5	4109.724	End Pump Cover	1	45	4106.179	ON/OFF Switch	1
18-6	4109.716	Lint Filter	1	46	4104.336	Switch Cover	1
18-7	4109.690	Intake Filter	1				
18-8	4109.674	End Cover	1				
18-9	4108.528	Screw, #10-32 x 1"	3				
18-10	4108.379	Steel Ball (1/4" Dia.)	1	<b>PARTS AVAILABLE - NOT SHOWN</b>			
18-11	4102.141	Pressure Relief Spring	1				
18-12	4102.133	Adjusting Screw	1		4105.292	Filler Neck Screen	1
18-13	4102.125	Plug	1		4110.138	Tradename Decal	2
18-14	4109.708	Output Filter	1		4110.196	Combustion Chamber	
18-15	4108.536	Screw, #10-32 x 1 1/8"	6			Ground Wire	1
18-16	4100.661	Elbow, 90° (Barb Fitting)	1		4110.611	Decal Package	1

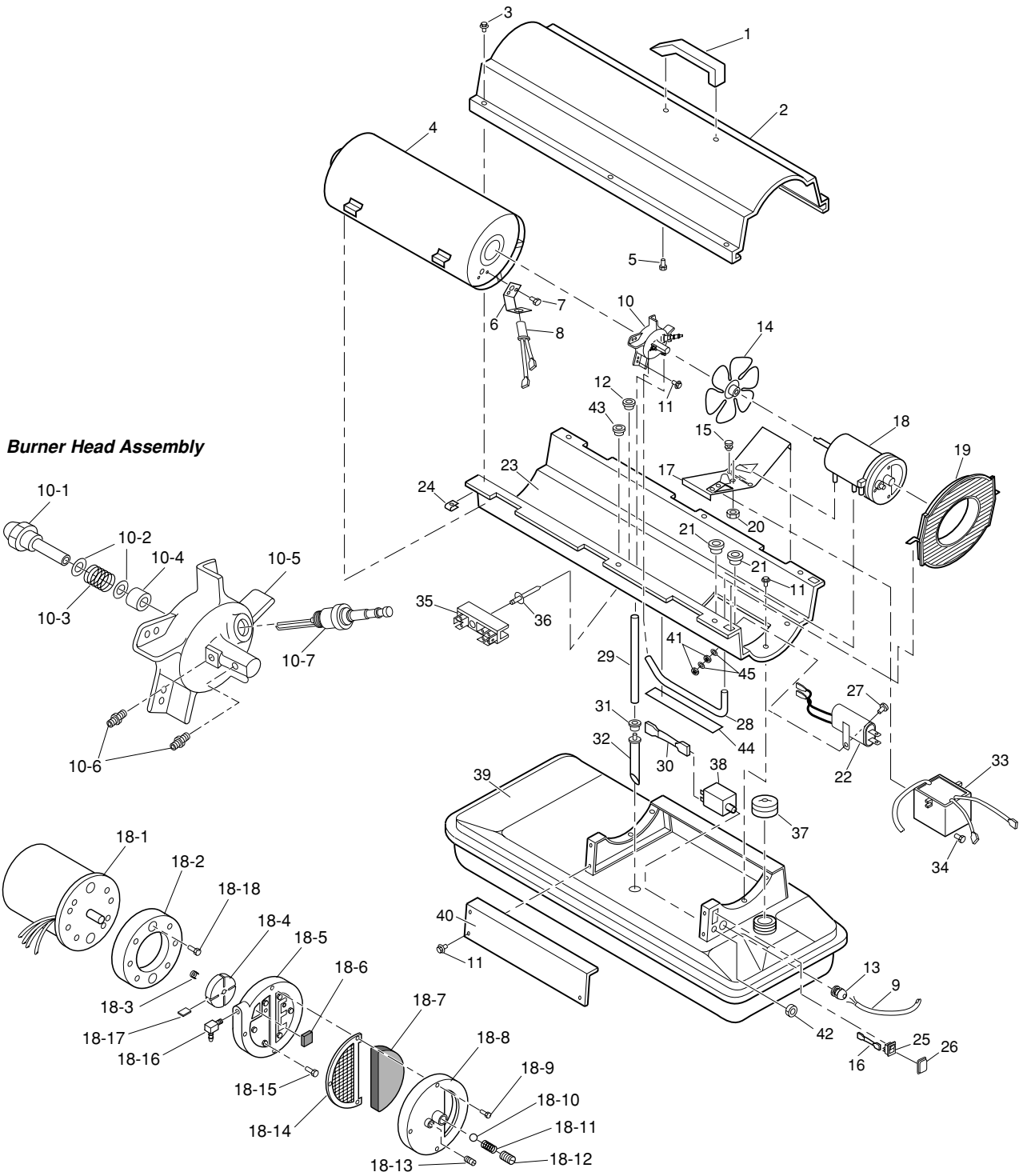
\*\*Not available as an assembly, order parts separately.

*This list contains replaceable parts used in your heater. When ordering parts, be sure to provide the correct model and serial numbers (from the model plate), then the part number and description of the desired part.*

# Spareparts MASTER HEATERS

MODEL 70 CED 70,000 Btu/Hr Model

ILLUSTRATED PARTS BREAKDOWN



## Spareparts MASTER HEATERS

MODEL 70 CED 70,000 Btu/Hr Model

PARTS LIST

Key No.	Part Number	Description	Qty.	Key No.	Part Number	Description	Qty.
1	4110.130	Handle	1	18-16	4101.156	Elbow, 90° (Barb Fitting)	1
2	4103.842	Upper Shell	1	18-17	4101.200	Blade	4
3	4109.590	Screw/Lockwasher, 1/2"	6	18-18	4108.588	Screw, #10-32 x 5/8"	2
4	4104.090	Combustion Chamber	1	19	4103.685	Fan Guard	1
5	4160.602	Screw, #10-16 x 3/4"	2	20	4108.486	Hex locknut	2
6	4103.537	Photocell Bracket	1	21	4101.152	Bushing (wires)	2
7	4103.529	Screw, #6-32 x 3/8"	2	22	4105.287	Power Line RFI Filter	1
8	4110.564	Photocell Assembly	1	23	4105.195	Lower Shell	1
9	4110.563	Power Cord	1	24	4104.170	Clip Nut	6
10	**	Burner Head Assembly	1	25	4106.179	ON/OFF Switch	1
10-1	4103.486	Nozzle	1	26	4104.336	Switch Cover	1
10-2	4100.525	Nozzle Seal Washer	2	27	4110.133	Screw, #10-32 x 3/4"	1
10-3	4100.533	Nozzle Seal Spring	1	28	4109.633	Rubber Airline	1
10-4	4101.622	Nozzle Seal Sleeve	1	29	4105.508	Fuel Line	1
10-5	4109.351	Burner Head Body	1	30	4110.195	Wire Assembly (red)	1
10-6	4106.071	Barb Fitting	2	31	4100.541	Rubber Bushing	1
10-7	4101.846	Spark Plug	1	32	4103.875	Fuel Filter Assembly	1
11	4110.124	Screw/Lockwasher, 1/2"	12	33	4110.609	Electronic Ignitor	1
12	4101.151	Bushing	1	34	4108.510	Screw, #10-16 x 3/4"	2
13	4150.528	Strain Relief Bushing	1	35	4106.110	Terminal Board	1
14	4103.651	Fan	1	36	4110.571	Rivet	1
15	4150.553	Rubber Bumper	2	37	4103.891	Fuel Tank Cap	1
16	4110.165	Wire Assembly (black)	2	38	4104.196	Flame-Out Control	1
17	4109.560	Motor Bracket	1	39	4110.140	Fuel Tank	1
18	**	Motor and Pump Assembly	1	40	4104.183	Side Cover	1
18-1	4100.651	Motor with capacitor	1	41	4110.134	Nut, #10-32	3
18-2	4101.317	Pump Body	1	42	4109.592	Hex Nut	1
18-3	4108.635	Insert	1	43	4101.151	Bushing	1
18-4	4108.627	Rotor	1	44	4110.610	Vinyl Foam Gasket	1
18-5	4109.724	End Pump Cover	1	45	4100.527	Lock Washer, #10	2
18-6	4109.736	Lint Filter	1				
18-7	4109.690	Intake Filter	1				
18-8	4109.674	End Cover	1				
18-9	4108.528	Screw, #10-32 x 1"	3	<b>PARTS AVAILABLE - NOT SHOWN</b>			
18-10	4108.379	Steel Ball (1/4" Dia.)	1				
18-11	4102.141	Pressure Relief Spring	1		4105.292	Filler Neck Screen	1
18-12	4102.133	Adjusting Screw	1		4110.138	Tradename Decal	2
18-13	4102.125	Plug	1		4110.196	Combustion Chamber	
18-14	4109.708	Output Filter	1			Ground Wire	1
18-15	4108.528	Screw, #10-32 x 1"	6		4110.604	Decal Package	1

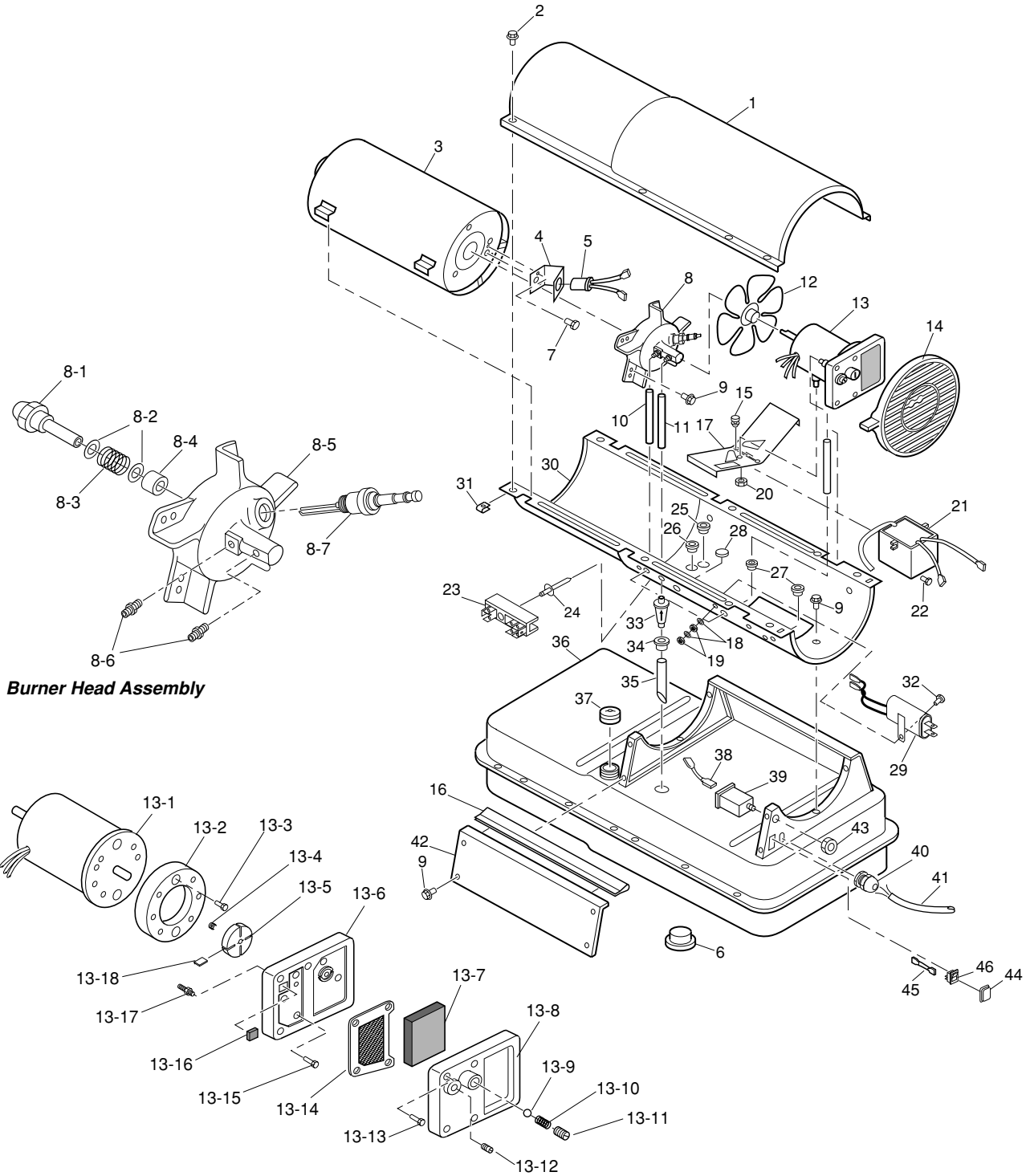
\*\*Not available as an assembly, order parts separately.

*This list contains replaceable parts used in your heater. When ordering parts, be sure to provide the correct model and serial numbers (from the model plate), then the part number and description of the desired part.*

# Spareparts MASTER HEATERS

MODEL 100 CED 100,000 Btu/Hr Model

ILLUSTRATED PARTS BREAKDOWN



**Burner Head Assembly**

**Motor and Pump Assembly**

## Spareparts MASTER HEATERS

MODEL 100 CED 100,000 Btu/Hr Model

PARTS LIST

Key No.	Part Number	Description	Qty.	Key No.	Part Number	Description	Qty.
1	4104.006	Upper Shell	1	16	4103.850	Edge Liner	1
2	4109.590	Screw/Lockwasher, 1/2"	8	17	4110.186	Motor Bracket	1
3	4101.180	Combustion Chamber	1	18	4100.527	Lock Washer, #10	2
4	4103.537	Photocell Bracket	1	19	4110.134	Nut, #10-32	3
5	4110.564	Photocell Assembly	1	20	4108.486	Hex locknut	2
6	4100.632	Drain Plug	1	21	4110.609	Electronic Ignitor	1
7	4103.529	Screw, #6-32 x 3/8"	2	22	4108.510	Screw, #10-16 x 3/4"	2
8	**	Burner Head Assembly	1	23	4106.110	Terminal Board	1
8-1	4103.559	Nozzle	1	24	4110.571	Rivet	1
8-2	4100.525	Nozzle Seal Washer	2	25	4101.112	Bushing	1
8-3	4100.533	Nozzle Seal Spring	1	26	4101.112	Bushing	1
8-4	4101.622	Nozzle Seal Sleeve	1	27	4101.232	Bushing	2
8-5	4109.352	Burner Head Body	1	28	4110.070	Button Plug	1
8-6	4104.118	Barb Fitting	2	29	4105.287	Power Line RFI Filter	1
8-7	4101.846	Spark Plug	1	30	4108.126	Lower Shell	1
9	4110.124	Screw/Lockwasher, 1/2"	13	31	4104.170	Clip Nut	8
10	4104.147	Air Line	1	32	4110.133	Screw, #10-32 x 3/4"	1
11	4110.032	Fuel Line	1	33	4100.630	Fuel filter	1
12	4105.062	Fan	1	34	4100.541	Rubber Bushing	1
13	**	Motor and Pump Assembly	1	35	4110.147	Fuel Line	1
13-1	4110.080	Motor with capacitor	1	36	4110.149	Fuel Tank	1
13-2	4101.317	Pump Body	1	37	4103.891	Fuel Tank Cap	1
13-3	4108.588	Screw, #10-32 x 5/8"	2	38	4110.195	Wire Assembly (red)	1
13-4	4108.635	Insert	1	39	4104-196	Flame-Out Control	1
13-5	4108.627	Rotor	1	40	4150.528	Strain Relief Bushing	1
13-6	4101.325	End Pump Cover	1	41	4110.563	Power Cord	1
13-7	4101.358	Intake Filter	1	42	4104.183	Side Cover	1
13-8	4108.643	End Cover	1	43	4109.592	Hex Nut	1
13-9	4108.379	Steel Ball (1/4" Dia.)	1	44	4104.336	Switch Cover	1
13-10	4102.141	Pressure Relief Spring	1	45	4110.164	Wire Assembly (black)	2
13-11	4102.133	Adjusting Screw	1	46	4106.179	ON/OFF Switch	1
13-12	4102.125	Plug	1				
13-13	4108.528	Screw, #10-32 x 1"	4				
13-14	4101.341	Output Filter	1	<b>PARTS AVAILABLE - NOT SHOWN</b>			
13-15	4108.528	Screw, #10-32 x 1"	6				
13-16	4101.333	Lint Filter	1		4105.292	Filler Neck Screen	1
13-17	4104.118	Barb Fitting	1		4110.138	Tradename Decal	2
13-18	4101.200	Blade	4		4110.196	Combustion Chamber	
14	4103.695	Fan Guard	1			Ground Wire	1
15	4150.553	Rubber Bumper	2		4110.605	Decal Package	1

\*\*Not available as an assembly, order parts separately.

*This list contains replaceable parts used in your heater. When ordering parts, be sure to provide the correct model and serial numbers (from the model plate), then the part number and description of the desired part.*



## Spareparts MASTER HEATERS

MODEL 150 CED 150,000 Btu/Hr Model

## PARTS LIST

Key No.	Part Number	Description	Qty.	Key No.	Part Number	Description	Qty.
1	4104.006	Upper Shell	1	15	4150.533	Rubber Bumper	2
2	4109.590	Screw/Lockwasher, 1/2"	8	16	4103.850	Edge Liner	1
3	4100.641	Combustion Chamber	1	17	4110.186	Motor Bracket	1
4	4103.537	Photocell Bracket	1	18	4100.527	Lock Washer, #10	2
5	4103.552	Photocell Assembly	1	19	4110.134	Nut, #10-32	3
6	4100.632	Drain Plug	1	20	4108.486	Hex locknut	2
7	4103.529	Screw, #6-32 x 3/8"	2	21	4110.609	Electronic Ignitor	1
8	**	Burner Head Assembly	1	22	4108.510	Screw, #10-16 x 3/4"	2
8-1	4103.898	Nozzle	1	23	4106.110	Terminal Board	1
8-2	4100.525	Nozzle Seal Washer	2	24	4110.571	Rivet	1
8-3	4100.533	Nozzle Seal Spring	1	25	4101.112	Bushing	1
8-4	4101.622	Nozzle Seal Sleeve	1	26	4101.112	Bushing	1
8-5	4105.187	Burner Head Body	1	27	4101.232	Bushing	2
8-6	4104.118	Barb Fitting	2	28	4110.070	Button Plug	1
8-7	4101.846	Spark Plug	1	29	4105.287	Power Line RFI Filter	1
8-8	4100.526	Wave Spring Washer	1	30	4108.126	Lower Shell	1
9	4110.124	Screw/Lockwasher, 1/2"	13	31	4104.170	Clip Nut	8
10	4104.156	Air Line	1	32	4110.133	Screw, #10-32 x 3/4"	1
11	4110.032	Fuel Line	1	33	4100.630	Fuel filter	1
12	4105.062	Fan	1	34	4100.541	Rubber Bushing	1
13	**	Motor and Pump Assembly	1	35	4110.147	Fuel Line	1
13-1	4100.562	Motor with capacitor	1	36	4110.149	Fuel Tank	1
13-2	4101.532	Pump Body	1	37	4103.891	Fuel Tank Cap	1
13-3	4108.590	Screw, #10-32 x 3/4"	2	38	4110.195	Wire Assembly (red)	1
13-4	4108.635	Insert	1	39	4104.196	Flame-Out Control	1
13-5	4103.441	Rotor	1	40	4150.528	Strain Relief Bushing	1
13-6	4101.325	End Pump Cover	1	41	4110.563	Power Cord	1
13-7	4101.358	Intake Filter	1	42	4104.183	Side Cover	1
13-8	4108.643	End Cover	1	43	4110.041	Vinyl Foam Gasket	2
13-9	4108.379	Steel Ball (1/4" Dia.)	1	44	4104.336	Switch Cover	1
13-10	4102.141	Pressure Relief Spring	1	45	4109.592	Hex Nut	1
13-11	4102.133	Adjusting Screw	1	46	4110.164	Wire Assembly (black)	2
13-12	4102.125	Plug	1	47	4106.179	ON/OFF Switch	1
13-13	4108.528	Screw, #10-32 x 1"	4	<b>PARTS AVAILABLE - NOT SHOWN</b>			
13-14	4101.341	Output Filter	1				
13-15	4108.536	Screw, #10-32 x 1 1/8"	6		4105.292	Filler Neck Screen	1
13-16	4101.333	Lint Filter	1		4110.138	Tradenname Decal	2
13-17	4104.118	Barb Fitting	1		4110.196	Combustion Chamber	
13-18	4101.666	Blade	4			Ground Wire	1
14	4103.695	Fan Guard	1		4110.606	Decal Package	1

\*\*Not available as an assembly, order parts separately.

*This list contains replaceable parts used in your heater. When ordering parts, be sure to provide the correct model and serial numbers (from the model plate), then the part number and description of the desired part.*