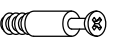

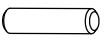


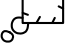


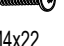
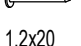
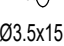
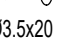
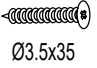










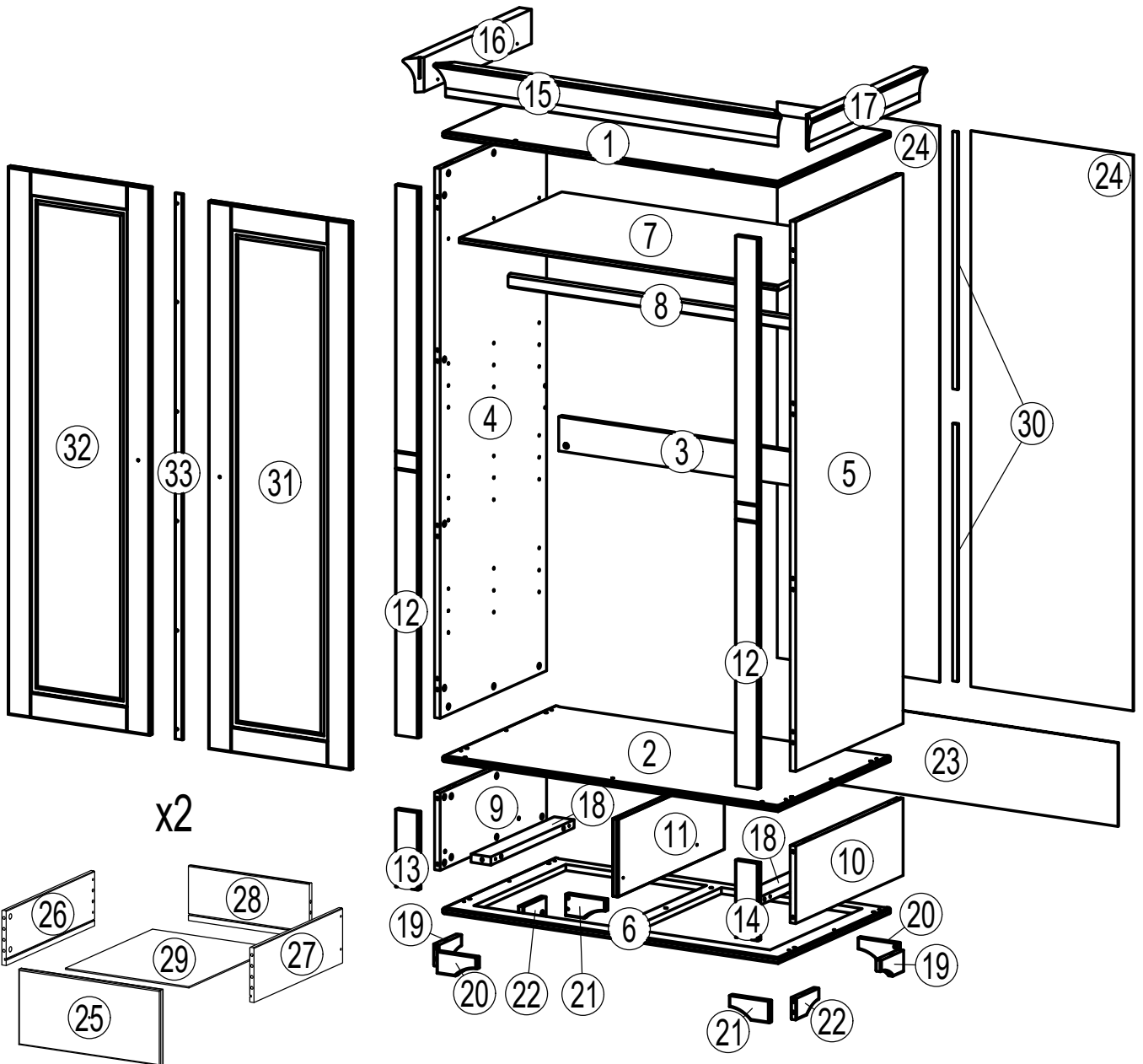
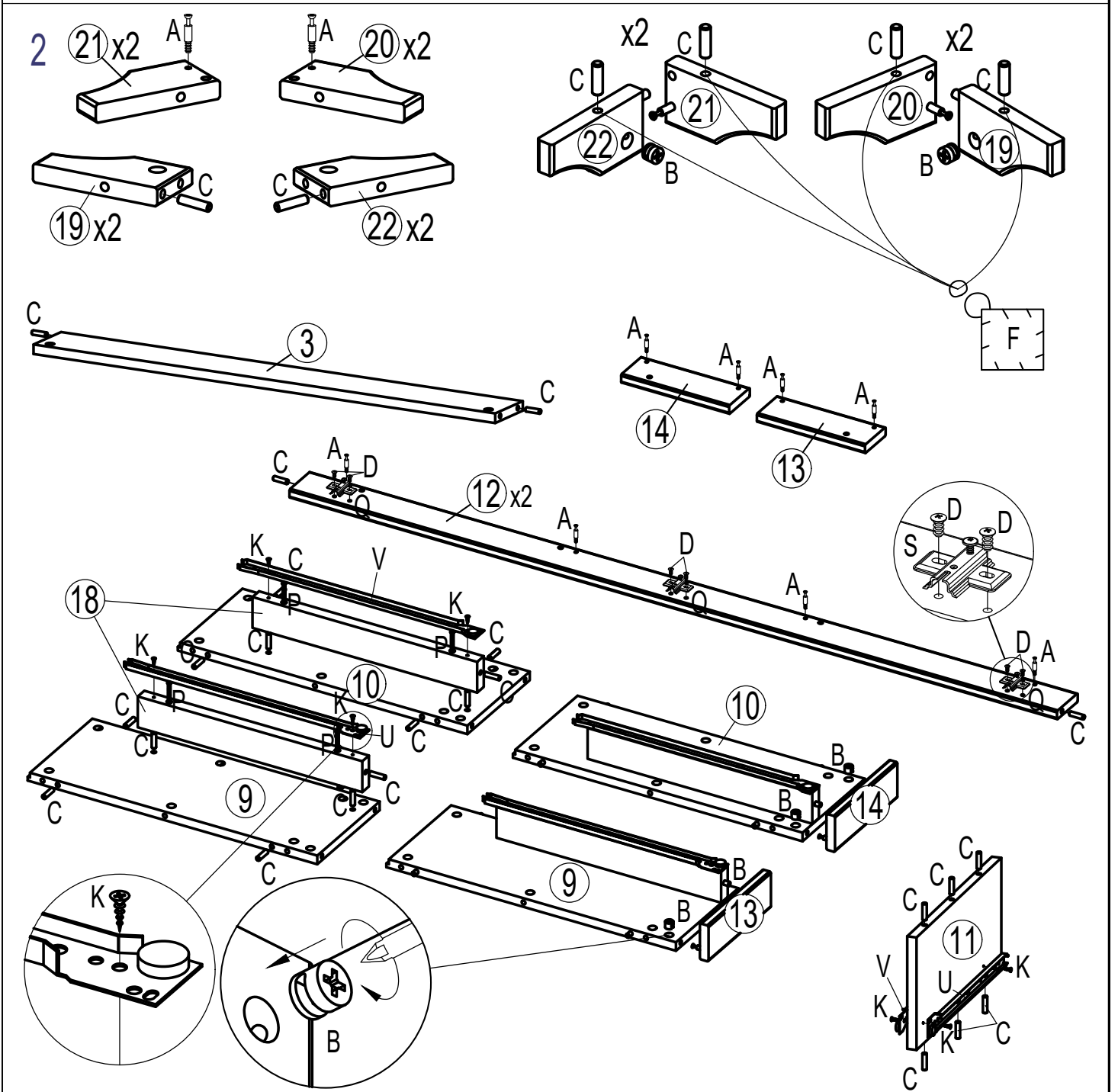
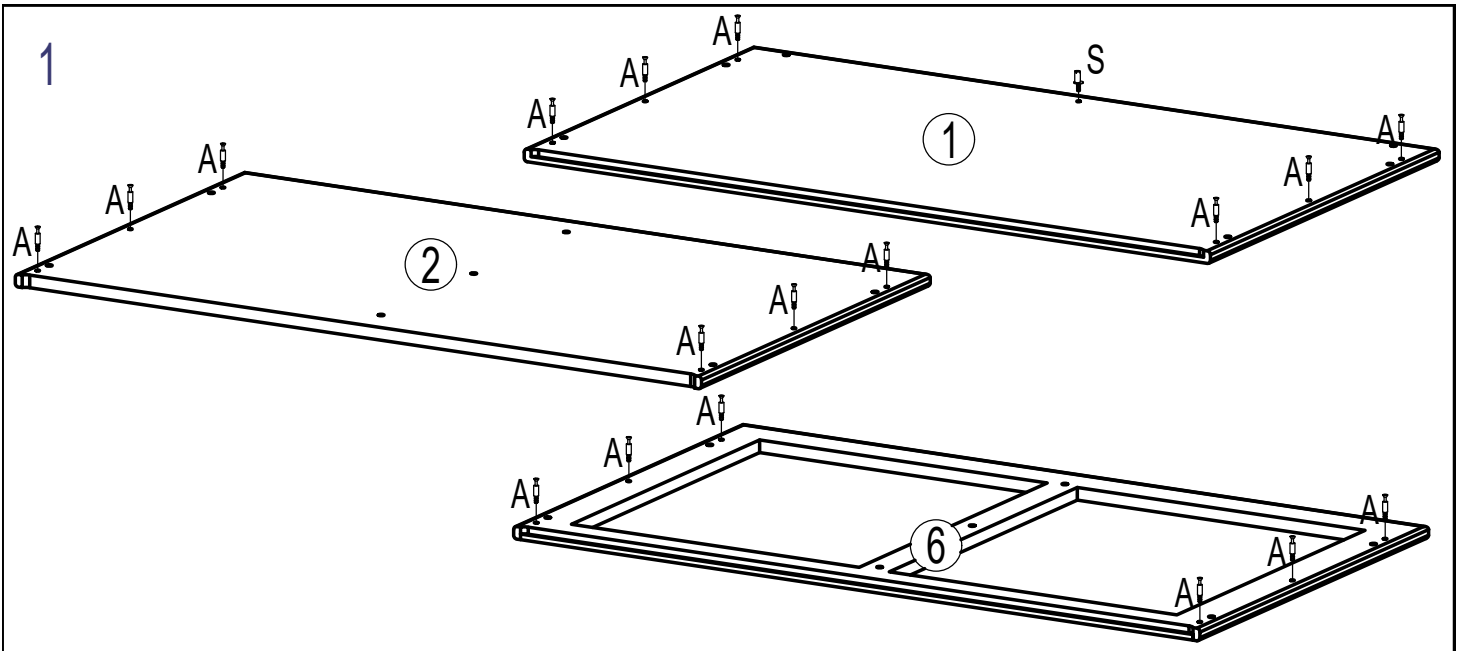


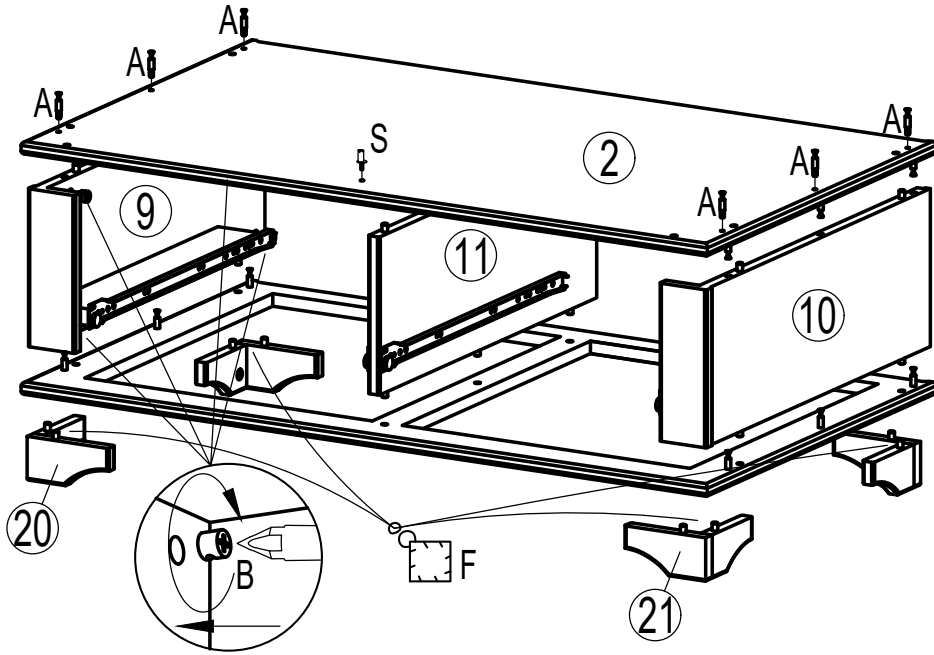
90 min

Ax50 	Bx50 	Cx72 	Dx12 	Ex6 	Fx1 
Gx4 	Hx6 	Ix4  M4x22	Jx100  1,2x20	Kx42  Ø3.5x15	Lx6  Ø3.5x20
Mx8  Ø3.5x35	Nx2  60	Ox2 	Px4  Ø4x50	Qx6 	Rx6 
Sx2 		Ux2 	Vx2 	Wx2 	Xx2 

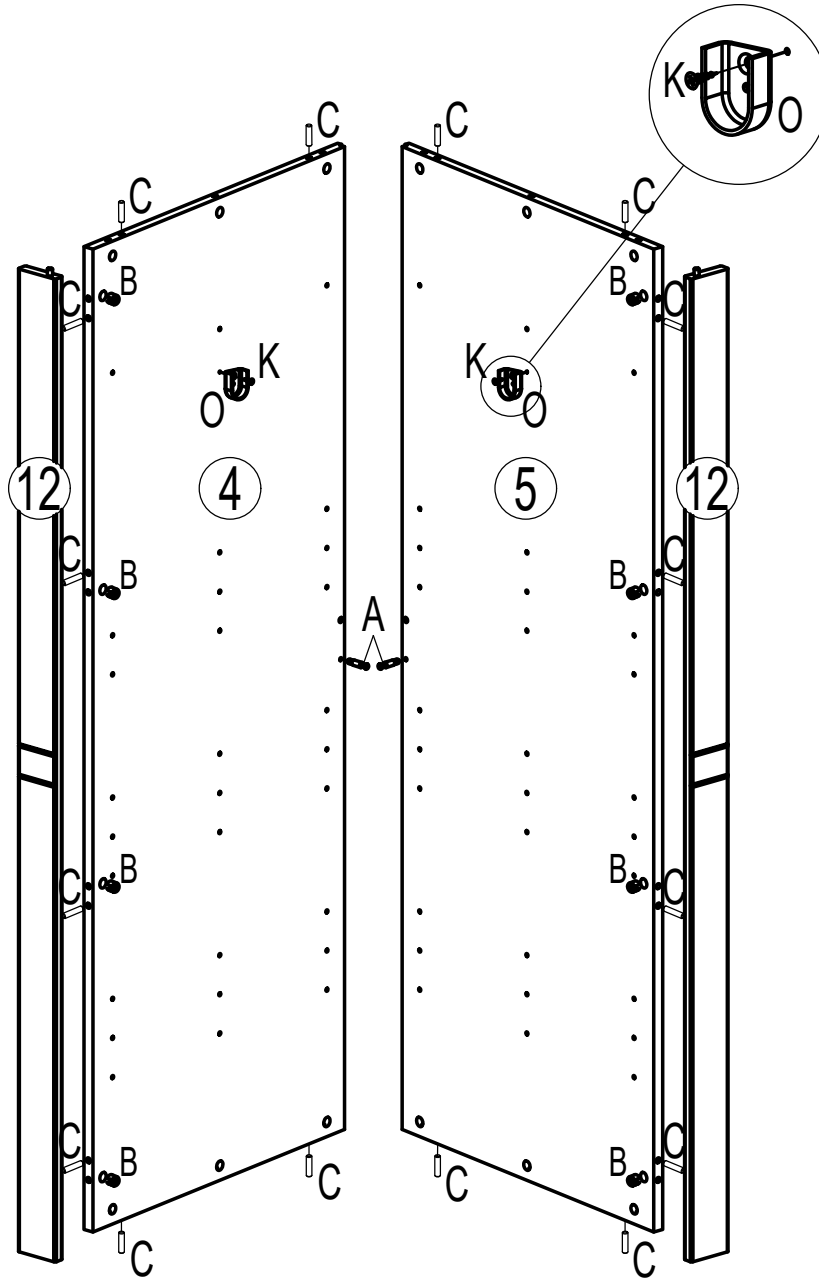




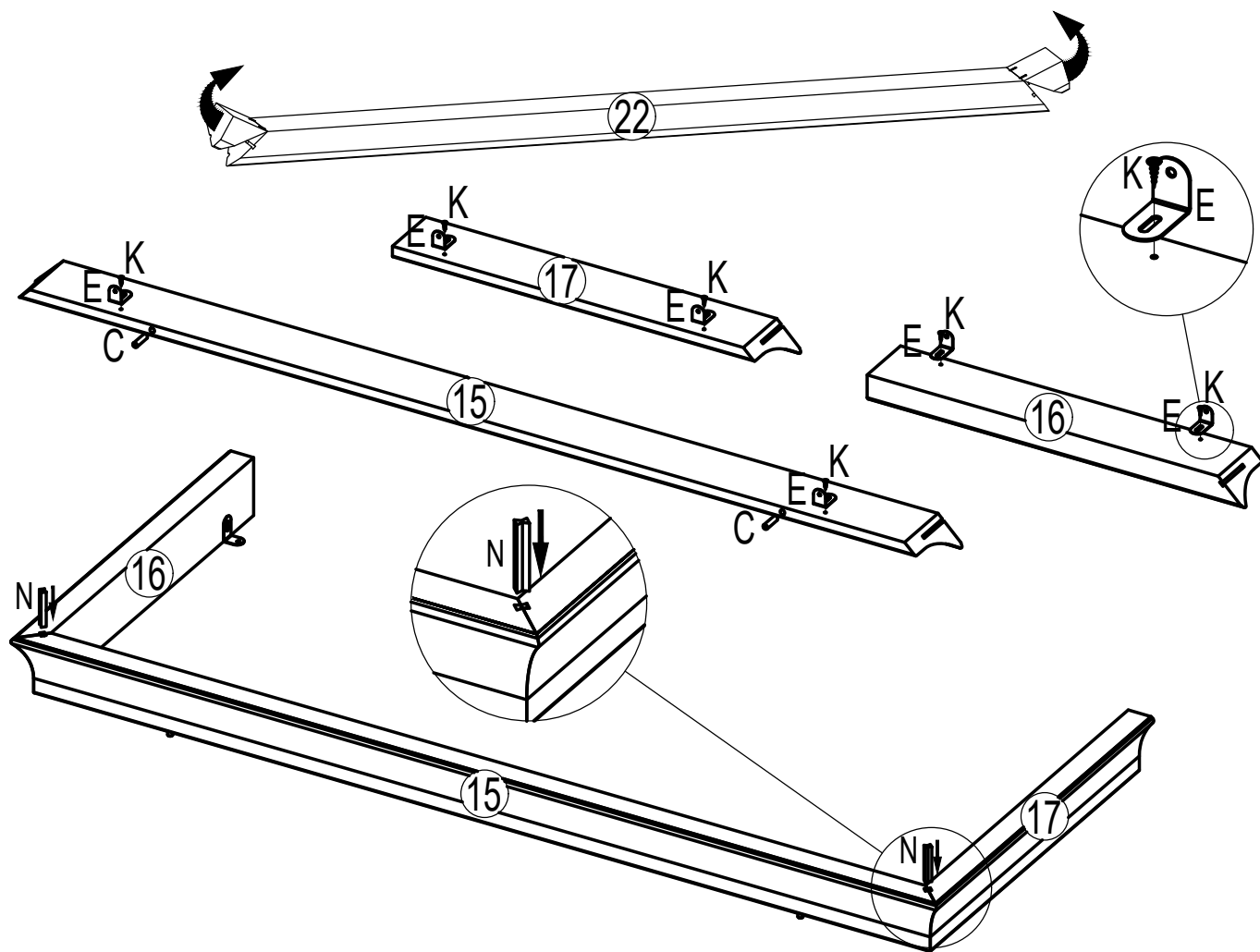
3



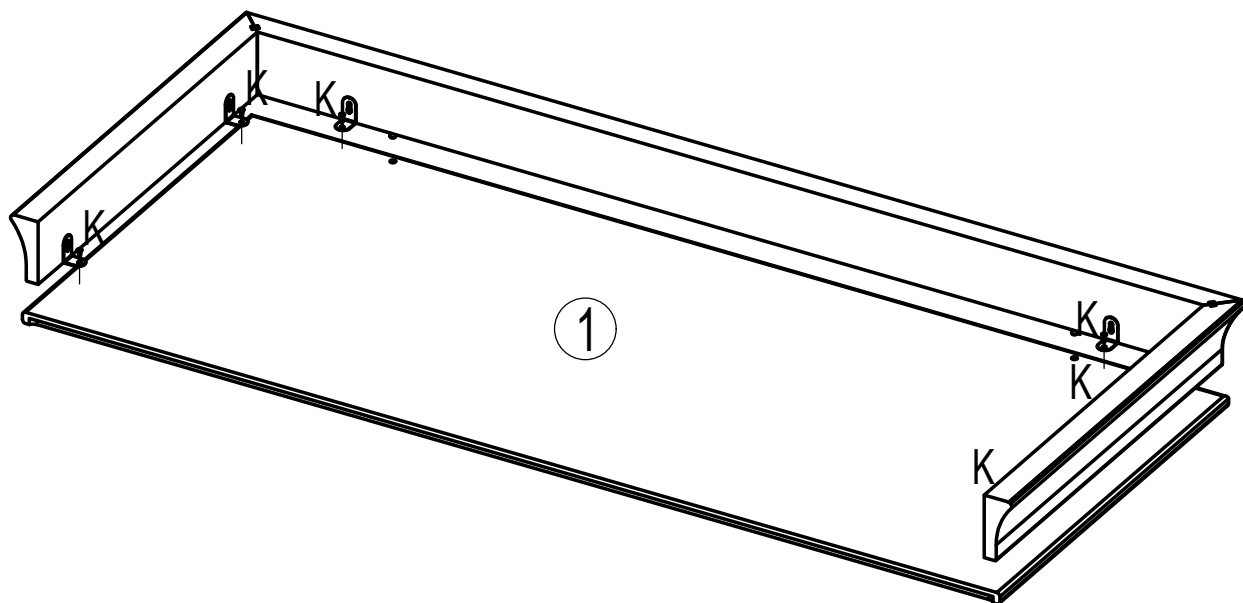
4



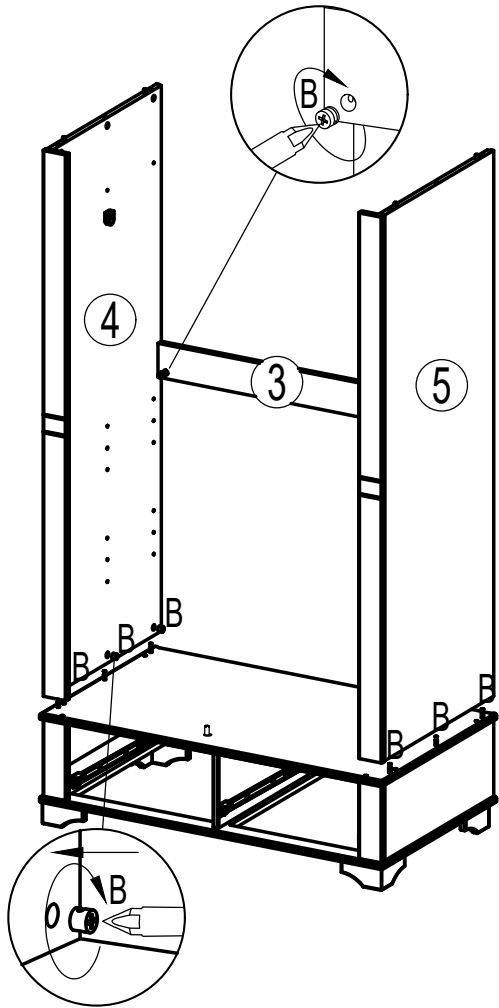
5



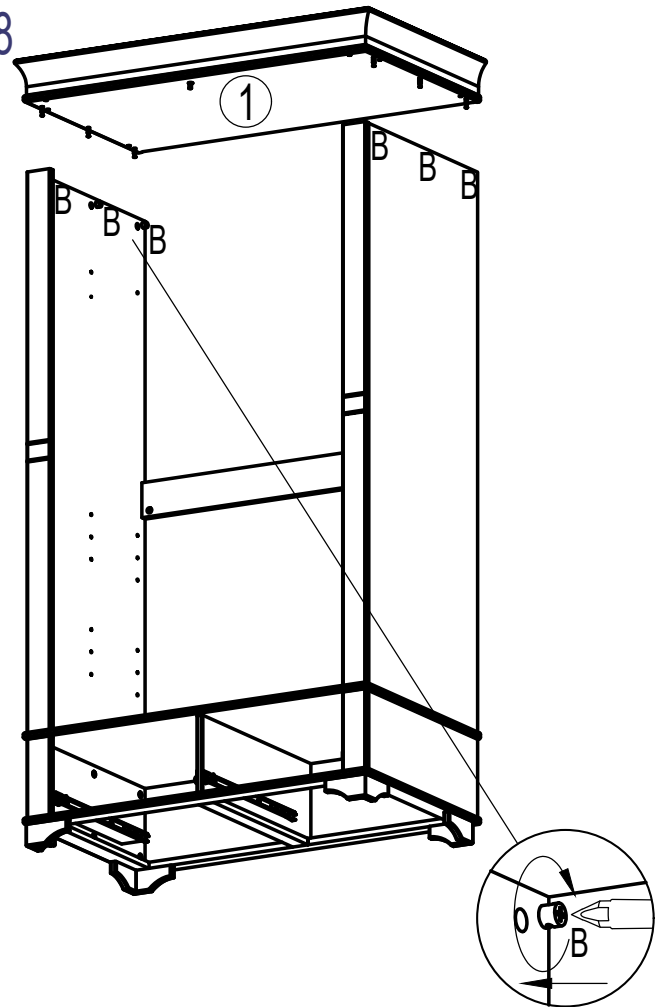
6



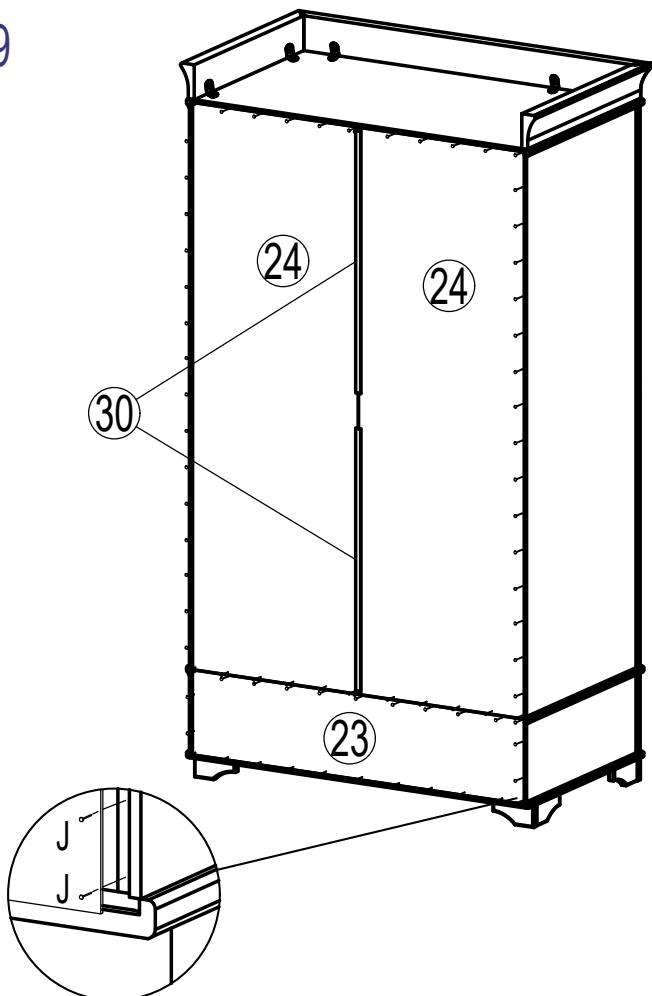
7



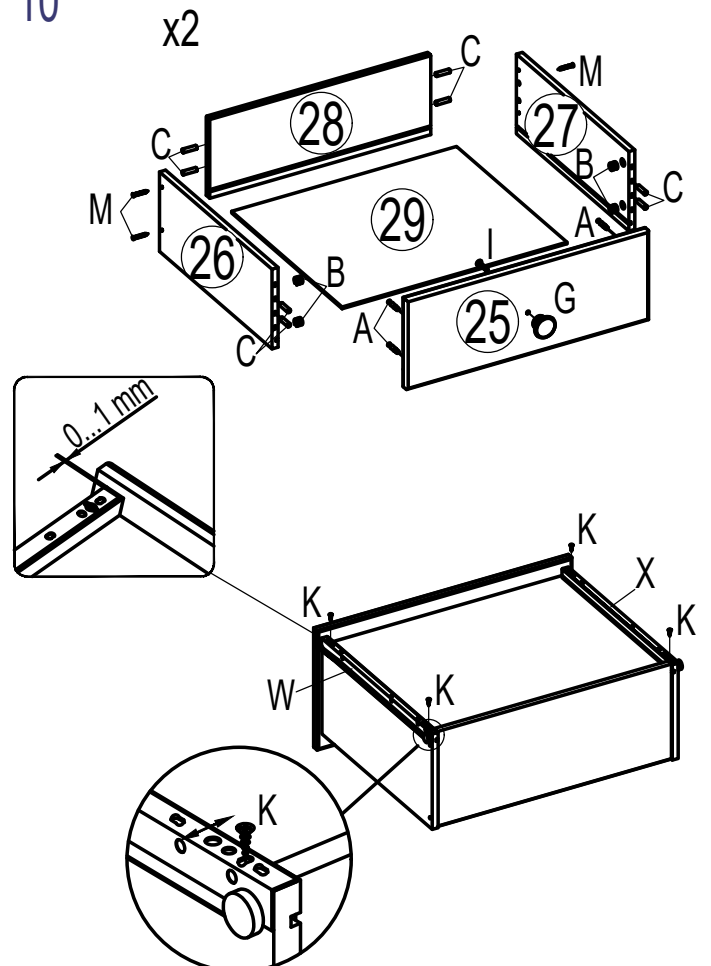
8



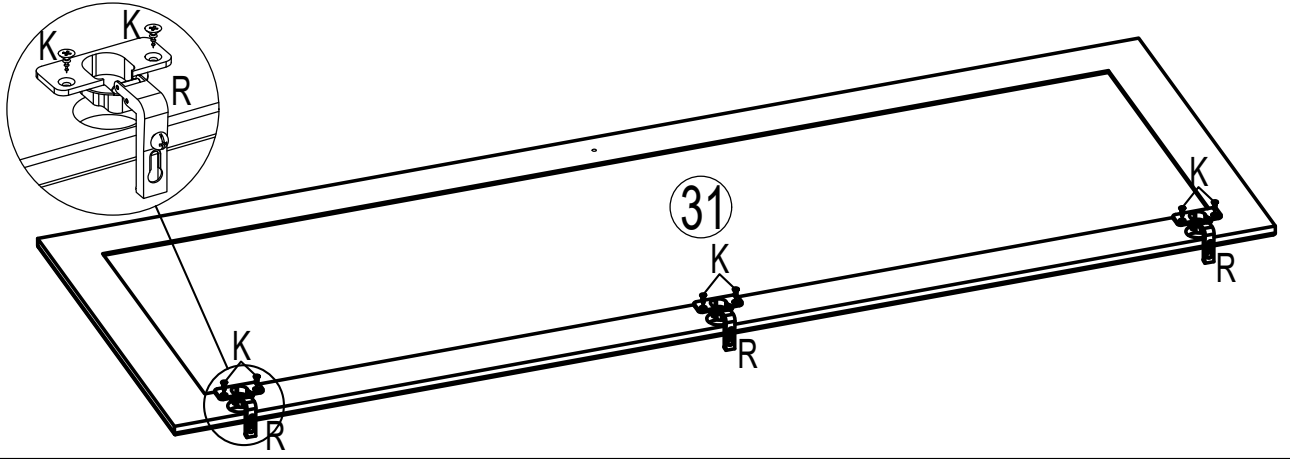
9



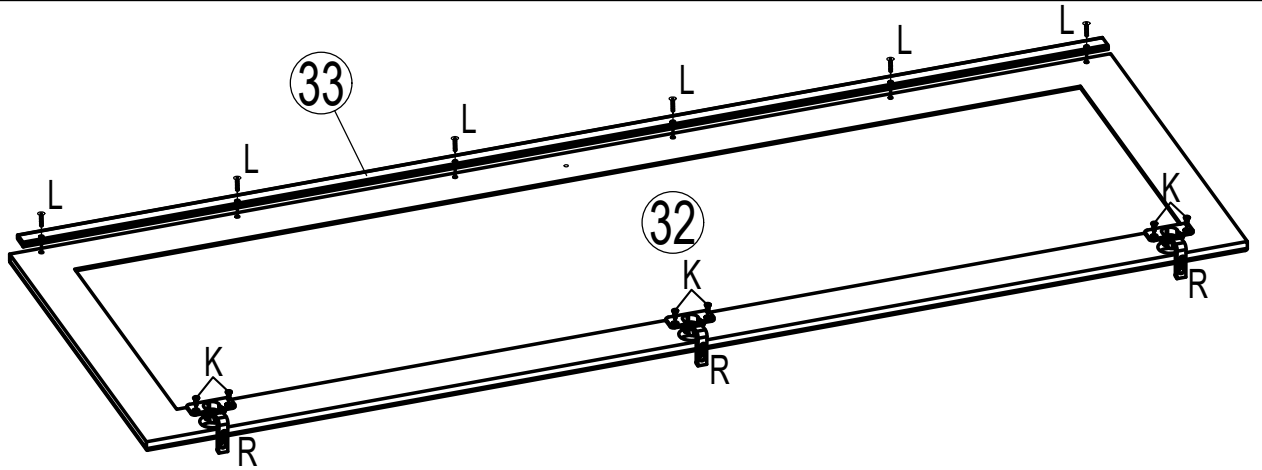
10



11



12



13

