



Spare Parts Catalog

MS-B 3025

Material number: 4475.004.095

Current date: 12.08.2016

ZF Friedrichshafen AG
Hauptverwaltung
80038 Friedrichshafen
Deutschland

Telefon: +49 7541 77-0

Telefax: +49 7541 77-908000

www.zf.com

zuständiges Werk:
Passau

Notes relating to the spare parts catalog

Setup of the spare parts catalog

- Cover sheet
- Technical Cover (only in SDM print)
- Overview of figures
- Figure
- Associated parts list
- Next figure
- Associated parts list
- ...

Figure and parts list



Overview of figures

Bildtafel Figure	Sachnummer Product number	Benennung (Description)	Technische Info Technical info	Description (Benennung)	Menge Quantity	Einheit Unit
068.08.17	1316.170.001	AUSLEGER	WL	SHIFT TURRET	1	Stk
068.08.06	1316.170.031	DECKEL	WL*H-H *VM	COVER	1	Stk
068.08.14	1316.170.808	DECKEL	WL*AUSL+GEH*H-H*HF160N	COVER	1	Stk
08	1316.170.441	ANSCHLUSSTEILE	WL*NG-VORB*RG-SCHL*168N *BAJONETT	CONNECTING PARTS	1	Stk

The "gap" indicates that there is no separate graphics panel (poster) for this assembly
The parts of this assembly are shown with the same mid-section number on the figure

1 Positions and subpositions

Pos.	Sachnummer Product number	Benennung (Description)	Technische Info Technical info	Description (Benennung)	Menge Quantity	Einheit Unit
0370	1315.201.054	RUECKLAUFBOLZEN	KPL.16S151*SG*L= 79	REV.IDLER SHAFT	1	Stk
/0120	0631.329.293	SPANNSTIFT		SLOT. PIN	1	Stk

Positions marked with "/" are the individual items of a completion
For example: Position 0370 contains a centering pin with the position /0120

2 Combinations with standardized parts

Pos.	Sachnummer Product number	Benennung (Description)	Technische Info Technical info	Description (Benennung)	Menge Quantity	Einheit Unit
0630		VERSCHL.SCHR.		SCREW PLUG	1	Stk
	0636.302.067	VERSCHL.SCHR.		SCREW PLUG	1	Stk
	0634.801.249	DICHTRING	A 26 X 31	SEALING RING	1	Stk

The parts list shows the components included in the combination of standardized parts

3 Depiction of position/item number on the figure and in the parts list

01.620 - on the figure 01 relates to the assembly in which the position is included. Due to program-related reasons, it is shown on the figure.

0620 - in the parts list

Pos.	Sachnummer Product number	Benennung (Description)	Technische Info Technical info	Description (Benennung)	Menge Quantity	Einheit Unit
0620	0732.040.736	DRUCKFEDER		COMPRESSION SPRING	1	Stk

4 *-Positions

Positions marked with an * are optional i.e. inclusion in the parts list is not mandatory.
The following note is shown on the figure

je nach Stücklistenausführung
depending on spec. number
*
suivant la nomenclature
secondo la distinta base

5 Parts, dotted display

Parts with dotted display on the figure are only used for orientation of other parts

Technical Cover

Page 1 from 2

Material number: 4475.004.095



MS-B 3025 /

Pos.	Information	Amendment number
	PRODUCT DESCRIPTION: ZF- MULTISTEER- AXLE	
	VEHICLE TYPE: BACKHOE LOADER	
	AXLE TYPE: MS-B 3025	
	VERSION: STEERABLE	
	AXLE ARRANGEMENT: FRONT AXLE	
	DIRECTION OF ROTATION: CW	
	CROWN WHEEL POSITION: LEFT	
	SPIRAL DIRECTION: RIGHT	
	INPUT FLANGE: DS 1350	
	FLANGE TO FLANGE DIM.: 1.776 MM	
	AXLE INSTALLATION: ABOVE CENTER PIVOT	
	MOUNTING DIMENSIONS: 120X314/D=45,09	
	MAIN DIFFERENTIAL: LIMITED-SLIP DIFFERENTIAL	
	LOCKING RATIO: 45%	
	AXLE RATIO: 14,760	
	STEERING CYLINDER SIZE: 65 X 40	
	STEER. ANGLE SENSOR: WITHOUT	
	STEERING VERSION: STANDARD (HIGH PRESURE)	
	MAX STEERING ANGLE: 52 GRAD	
	PORT SIZE: 9/16 - 18 UNF 2B	
	PLANETARY DRIVE: P3, I=7,125	
	BRAKE : WITHOUT	
	RIM PITCH CIRCLE DIAM.: 275,00 MM	
	WHEEL CONNECTION: BOLT 8 X M22 X 1,5 X 47	
	WHEEL NUTS: WITHOUT	
	OIL FILLING AXLE DRIVE: WITH	
	OIL - GRADE AXLE DRIVE: TE ML 05	
	PRIMER PAINT: YELLOW RAL 1006	
	PAINT-FREE AREA: STANDARD BACKHOE LOADER	
	TYPE PLATE: ZF- STANDARD	
	PLANETARY DRIVE OIL CAP 0,80 L	
	AXLE HOUSING OIL CAPACI 6,30 L	
	OIL FILL QUANTITY CA: 7,90 L	

Technical Cover

Page 2 from 2

Material number: 4475.004.095



MS-B 3025 /

Pos.	Information	Amendment number
	DOCUMENTATION: -----	
	SECTION DRAWING: 4475 004 091	
	INSTALLATION DRAWING: 4475 604 045	
	INSTALL. INSTRUCTION: 4475 700 081	
	TESTING INSTRUCTION: 4475 760 028	

Assembly group overview

Page 1 from 1

Material number: 4475.004.095



MS-B 3025 /

Graphics	Pos.	Material number	Name	Quantity	Amend. no.	Techn. Info.
447510220400	10	4475.102.204	INPUT	1		
447510245900	20	4475.102.459	INPUT	1		
448202100600	30	4482.021.006	DIFFERENTIAL 250	1		
447510120700	70	4475.101.207	AXLE CASING	1		
447510160700	80	4475.101.607	AXLE CASING	1		
447510316100	90	4475.103.161	JOINT HOUSING	1		
447510346700	100	4475.103.467	JOINT HOUSING	1		
447510409700	110	4475.104.097	PLANETARY DRIVE	1		
447510508500	120	4475.105.085	STEERING	1		

Plant

Page 1 from 1

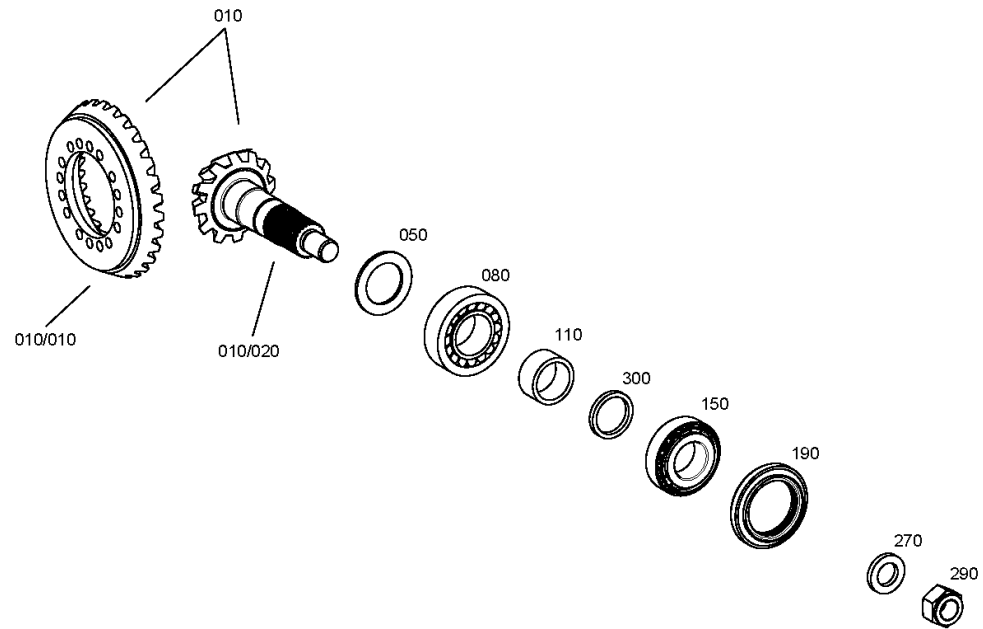
Material number: 4475.004.095

Plant: 447510220400

Material-assembly-group-no: 4475.102.204



MS-B 3025 /
INPUT



Parts list

Page 1 from 2



MS-B 3025 /

Material number: 4475.004.095

Plant: 447510220400

Material-assembly-group-no: 4475.102.204

Pos.	Material number	Customer material	Name	Quantity	ME	Amend. no.	Techn. Info.	Rep kit	Alternative material
10	4475.205.092		BEVEL GEAR SET	1			M-l=2,071/RE/FLSP=0,15-0,27		
50	---		ADJUSTMENT PLATE	1					
---	0730.113.657		WASHER	1			A=3,3		
---	0730.113.658		WASHER	1			A=3,4		
---	0730.113.659		WASHER	1			A=3,5		
---	0730.113.660		WASHER	1			A=3,6		
---	0730.113.661		WASHER	1			A=3,7		
80	0750.117.354		TAPER ROLLER BEARING	1			44,450X88,900X30,162		
110	0730.300.675		BUSH	1			A=25,80		
150	0750.117.618		TAPERED ROLLER BEARING	1			40,000X80,000X24,750		
190	0734.319.709		SHAFT SEAL	1			60,0X90,0X10,0/14,5		
270	0730.113.665		WASHER	1		K04989/0710	S=6,0		
290	0637.011.044		HEXAGON NUT	1			M24X2		
300	---		RING	1					
---	0730.162.820		RING	1			A=5,55		
---	0730.162.821		RING	1			A=5,60		
---	0730.162.822		RING	1			A=5,65		
---	0730.162.823		RING	1			A=5,70		
---	0730.162.824		RING	1			A=5,75		
---	0730.162.825		RING	1			A=5,80		
---	0730.162.826		RING	1			A=5,85		
---	0730.162.827		RING	1			A=5,90		
---	0730.162.828		RING	1			A=5,95		
---	0730.162.829		RING	1			A=6,10		
---	0730.162.830		RING	1			A=6,15		
---	0730.162.834		RING	1			A=6,20		
---	0730.162.835		RING	1			A=6,25		
---	0730.162.836		RING	1			A=6,30		
---	0730.162.837		RING	1			A=6,35		
---	0730.162.838		RING	1			A=6,40		
---	0730.162.839		RING	1			A=6,45		
---	0730.162.840		RING	1			A=6,50		
---	0730.162.841		RING	1			A=6,55		
---	0730.162.842		RING	1			A=6,60		

Parts list

Page 2 from 2



MS-B 3025 /

Material number: 4475.004.095

Plant: 447510220400

Material-assembly-group-no: 4475.102.204

Pos.	Material number	Customer material	Name	Quantity	ME	Amend. no.	Techn. Info.	Rep kit	Alternative material
---	0730.162.843		RING	1			A=6,65		
---	0730.162.844		RING	1			A=6,70		
---	0730.113.543		RING	1			A=5,98		
---	0730.113.544		RING	1			A=6,00		
---	0730.113.545		RING	1			A=6,02		
---	0730.113.546		RING	1			A=6,04		
---	0730.113.547		RING	1			A=6,07		
---	0730.113.809		RING	1			A=5,88		
---	0730.113.810		RING	1			A=5,92		
---	0730.113.811		RING	1			A=6,12		
---	0730.113.812		RING	1			A=6,18		
---	0730.113.813		RING	1			A=6,22		

Plant

Page 1 from 1

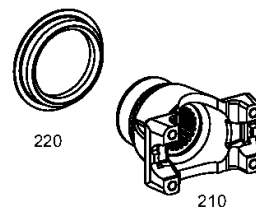
Material number: 4475.004.095

Plant: 447510245900

Material-assembly-group-no: 4475.102.459



MS-B 3025 /
INPUT



Parts list

Page 1 from 1

Material number: 4475.004.095

Plant: 447510245900

Material-assembly-group-no: 4475.102.459



MS-B 3025 /

Pos.	Material number	Customer material	Name	Quantity	ME	Amend. no.	Techn. Info.	Rep kit	Alternative material
210	4475.305.656		END YOKE	1		Z00034765510	DS1350*N38x1,25*Z=29		
220	4475.305.550		SCREEN SHEET	1					

Plant

Page 1 from 1

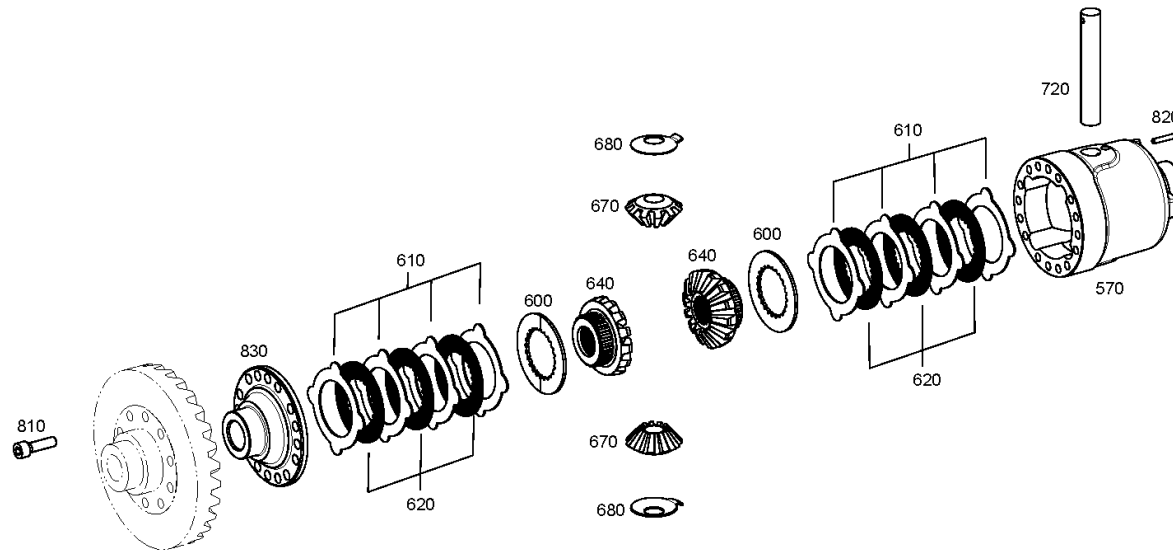
Material number: 4475.004.095

Plant: 448202100600

Material-assembly-group-no: 4482.021.006



MS-B 3025 /
DIFFERENTIAL 250



Parts list

Page 1 from 1

Material number: 4475.004.095

Plant: 448202100600

Material-assembly-group-no: 4482.021.006



MS-B 3025 /

Pos.	Material number	Customer material	Name	Quantity	ME	Amend. no.	Techn. Info.	Rep kit	Alternative material
570	4482.320.001		DIFF.CASE	1			D-TEIL		
600	0501.331.201		END DISC	2			Z=26		
610	---		OUTER CLUTCH DISK	8					
---	4481.345.081		OUTER CLUTCH DISK	1					
---	4481.345.082		OUTER CLUTCH DISK	1					
620	0501.330.529		INNER CLUTCH DISK	6			h=2,100		
640	0501.327.157		AXLE BEVEL GEAR	2			Z=14		
670	0501.328.048		DIFFERENTIAL BEVEL GEAR	2			Z=10		
680	4481.345.070		THRUST WASHER	2			D-TEIL		
720	4481.345.071		DIFF.AXLE	1					
810	0636.101.052		CAP SCREW	16			M10X35		
820	0631.329.057		SLOTTED PIN	1			5X40		
830	4475.305.568		COVER	1			D-TEIL		

Plant

Page 1 from 1

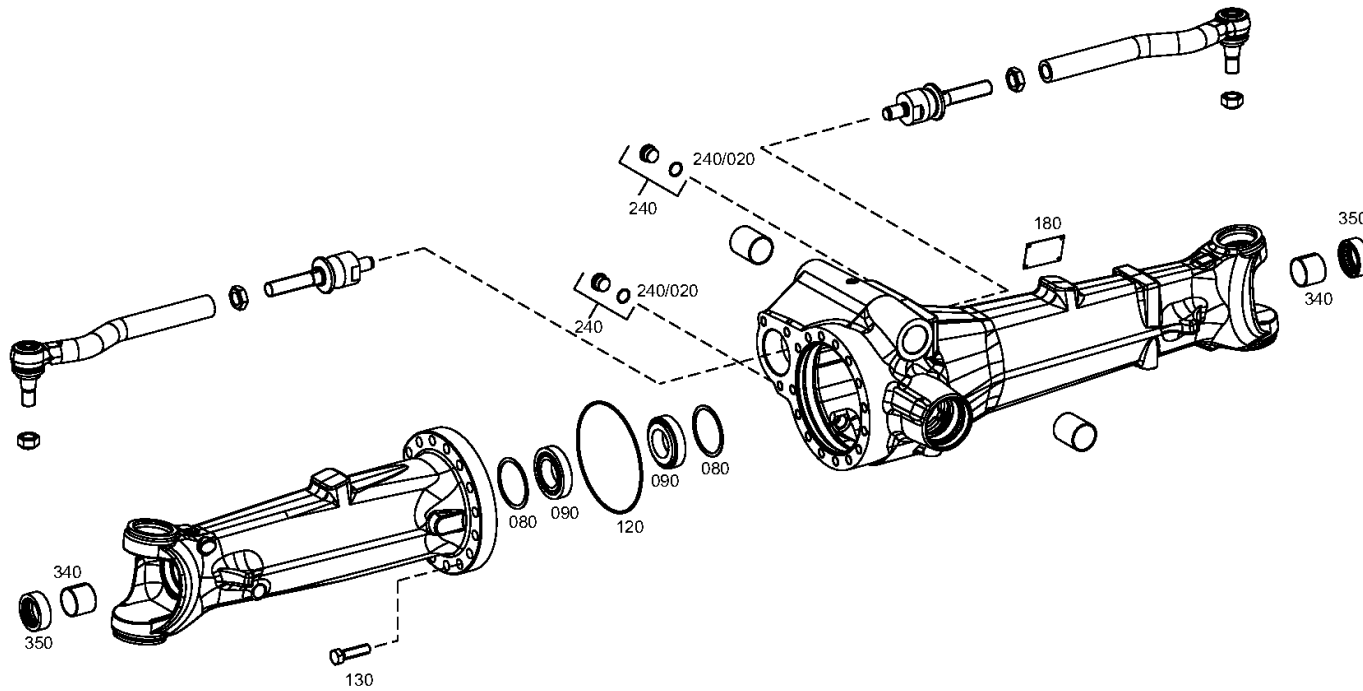
Material number: 4475.004.095

Plant: 447510120700

Material-assembly-group-no: 4475.101.207



MS-B 3025 /
AXLE CASING



Parts list

Page 1 from 2



MS-B 3025 /

Material number: 4475.004.095

Plant: 447510120700

Material-assembly-group-no: 4475.101.207

Pos.	Material number	Customer material	Name	Quantity	ME	Amend. no.	Techn. Info.	Rep kit	Alternative material
80	---		SHIM	2					
---	0730.001.009		SHIM	1			A=2,00 IN 0730 005 413(2)		
---	0730.008.154		SHIM	1			A=1,95 IN 0730 005 413(2)		
---	0730.008.053		SHIM	1			A=1,90 IN 0730 005 413(2)		
---	0730.005.817		SHIM	1			A=1,85 IN 0730 005 413(2)		
---	0730.008.052		SHIM	1			A=1,80 IN 0730 005 413(2)		
---	0730.005.816		SHIM	1			A=1,75 IN 0730 005 413(2)		
---	0730.008.051		SHIM	1			A=1,70 IN 0730 005 413(2)		
---	0730.006.529		SHIM	1			A=1,65		
---	0730.006.528		SHIM	1			A=1,60		
---	0730.006.527		SHIM	1			A=1,55		
---	0730.006.526		SHIM	1			A=1,50		
---	0730.006.525		SHIM	1			A=1,45		
---	0730.001.010		SHIM	1			A=1,40 IN 0730 005 413(2)		
---	0730.002.277		SHIM	1			A=1,20 IN 0730 005 413(2)		
---	0730.000.123		SHIM	1			A=1,00 IN 0730 005 413(2)		
---	0730.000.124		SHIM	1			A=0,80 IN 0730 005 413(2)		
---	0730.001.011		SHIM	1			78X89,8X0,6		
---	0730.000.125		SHIM	1			A=0,50 IN 0730 005 413(2)		
---	0730.001.012		SHIM	1			78X89,8X0,4		
---	0730.002.280		SHIM	1			A=0,30 IN 0730 005 413(2)		
---	0730.000.126		SHIM	1			A=0,20 IN 0730 005 413(2)		
---	0730.000.127		SHIM	1			A=0,10 IN 0730 005 413(2)		
---	0730.006.513		SHIM	1			A=0,65		
---	0730.006.514		SHIM	1			A=0,70		
---	0730.006.515		SHIM	1			A=0,75		
---	0730.006.516		SHIM	1			A=0,85		
---	0730.006.517		SHIM	1			A=0,90		
---	0730.006.518		SHIM	1			A=0,95		
---	0730.006.520		SHIM	1			A=1,10		
---	0730.006.521		SHIM	1			A=1,15		
---	0730.006.522		SHIM	1			A=1,25		
---	0730.006.523		SHIM	1			A=1,30		
---	0730.006.524		SHIM	1			A=1,35		

Parts list

Page 2 from 2



MS-B 3025 /

Material number: 4475.004.095

Plant: 447510120700

Material-assembly-group-no: 4475.101.207

Pos.	Material number	Customer material	Name	Quantity	ME	Amend. no.	Techn. Info.	Rep kit	Alternative material
---	0730.005.708		SHIM	1			A=0,45		
---	0730.005.709		SHIM	1			A=0,55		
---	0730.006.519		SHIM	1			A=1,05		
---	0730.007.783		SHIM	1			A=2,05 IN 0730 005 413(2)		
---	0730.007.784		SHIM	1			A=2,10 IN 0730 005 413(2)		
---	0730.007.785		SHIM	1			A=2,15 IN 0730 005 413(2)		
---	0730.007.786		SHIM	1			A=2,20 IN 0730 005 413(2)		
---	0730.007.787		SHIM	1			A=2,25 IN 0730 005 413(2)		
---	0730.008.292		SHIM	1			A=2,30 IN 0730 005 413(2)		
---	0730.008.293		SHIM	1			A=2,35 IN 0730 005 413(2)		
---	0730.008.294		SHIM	1			A=2,40 IN 0730 005 413(2)		
---	0730.008.295		SHIM	1			A=2,45 IN 0730 005 413(2)		
---	0730.008.296		SHIM	1			A=2,50 IN 0730 005 413(2)		
90	0750.117.802		TAPERED ROLLER BEARING	2			50,000X90,000X21,750		
120	0634.100.545		O-RING	1		Z00022405710	186X3,5		
130	0636.011.204		HEXAGON SCREW	15		Z00030948710	M16X60		
180	0730.365.292		TYPE PLATE	1			ZF-Standard/Stankov		
240	4475.280.099		SCREW PLUG	2					
/20	0634.303.266		O-RING	1			21X2		
340	0501.316.250		BUSH	2		K01188/0510			
350	0734.300.610		SHAFT SEAL	2		Z00029534310	46,0X65,0X21,0		

Plant

Page 1 from 1

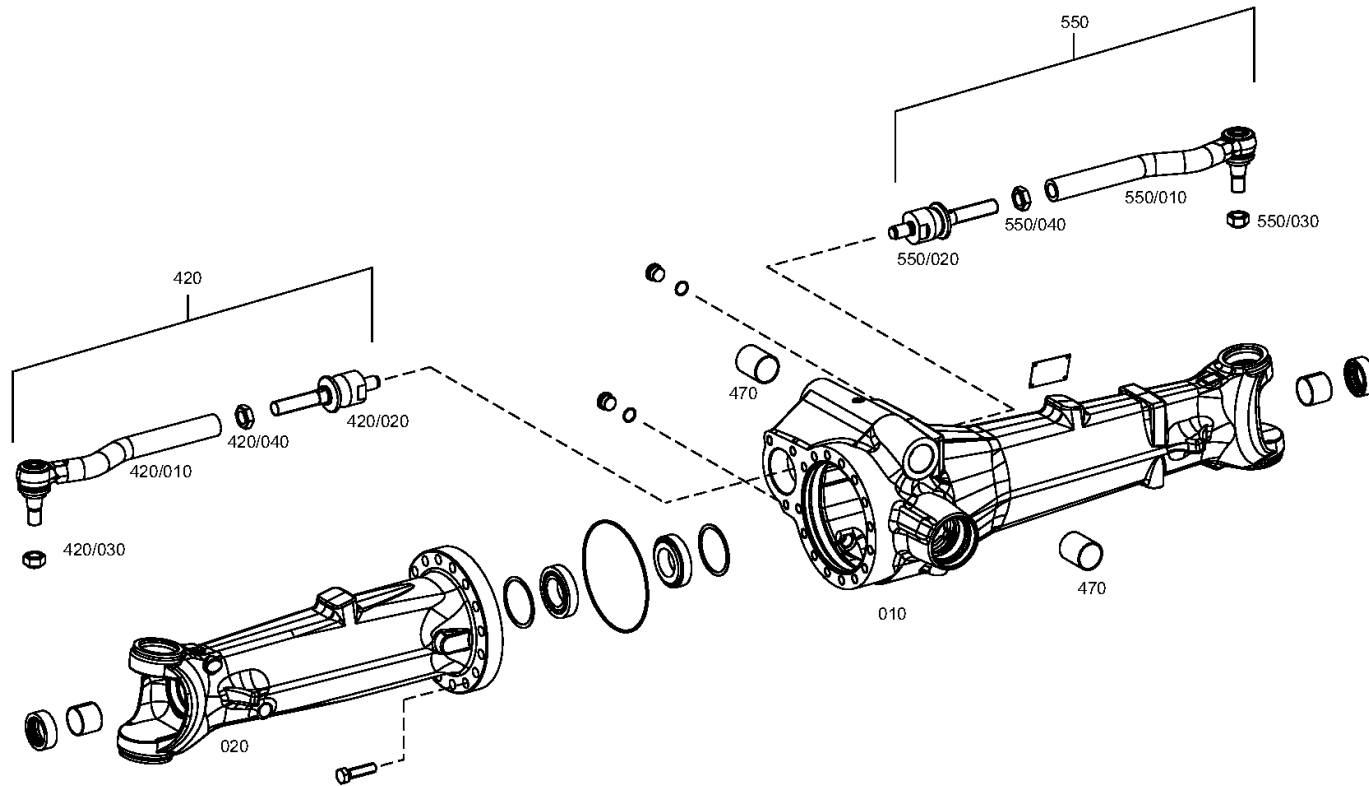
Material number: 4475.004.095

Plant: 447510160700

Material-assembly-group-no: 4475.101.607



MS-B 3025 /
AXLE CASING



Parts list

Page 1 from 1



MS-B 3025 /

Material number: 4475.004.095

Plant: 447510160700

Material-assembly-group-no: 4475.101.607

Pos.	Material number	Customer material	Name	Quantity	ME	Amend. no.	Techn. Info.	Rep kit	Alternative material
10	4475.304.194		AXLE CASING	1					
20	4475.304.195		AXLE CASING	1			D-TEIL		
420	0501.008.219		TIE ROD	1		Z00031222810			
/10	0501.215.135		BALL JOINT	1					
/20	0501.213.503		AXIAL JOINT	1					
/30	0637.011.061		HEXAGON NUT	1			M22X1,5		
/40	0501.320.734		HEXAGON NUT	1					
470	0501.315.014		BUSH	2					
550	0501.008.220		TIE ROD	1		Z00031222810			
/10	0501.215.134		BALL JOINT	1					
/20	0501.213.503		AXIAL JOINT	1					
/30	0637.011.061		HEXAGON NUT	1			M22X1,5		
/40	0501.320.734		HEXAGON NUT	1					

Plant

Page 1 from 1

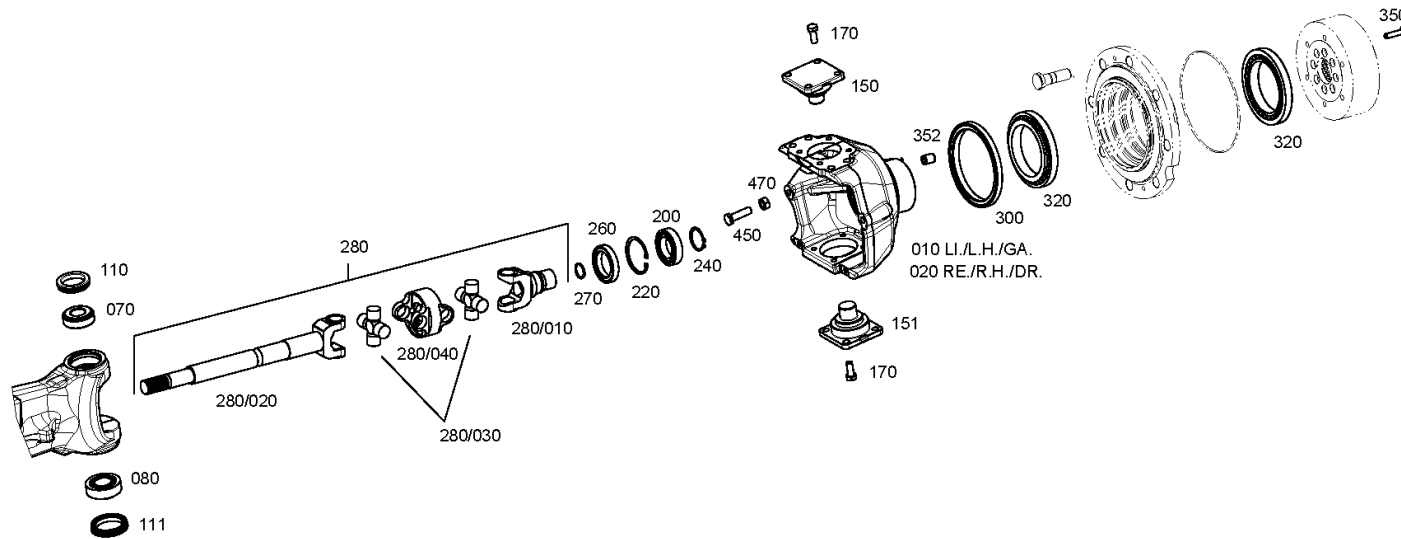
Material number: 4475.004.095

Plant: 447510316100

Material-assembly-group-no: 4475.103.161



MS-B 3025 /
JOINT HOUSING



Parts list

Page 1 from 1



MS-B 3025 /

Material number: 4475.004.095

Plant: 447510316100

Material-assembly-group-no: 4475.103.161

Pos.	Material number	Customer material	Name	Quantity	ME	Amend. no.	Techn. Info.	Rep kit	Alternative material
10	4475.304.228		JOINT HOUSING	1		Z00013427210			
20	4475.304.229		JOINT HOUSING	1		Z00013427210			
70	0750.117.859		TAPERED ROLLER BEARING	2		K01703/0510	30,162X64,292X21,433		
80	0750.117.866		TAPERED ROLLER BEARING	2		K01703/0510	34,925X72,233X25,400		
110	0734.309.369		MULTI SEALING RING	2			49-68-13,8		
111	0734.309.390		MULTI SEALING RING	2			57-76-13,8		
150	4475.304.199		BEARING PIN	2			D-TEIL		
151	4475.304.202		BEARING PIN	2			D-TEIL		
170	0636.016.014		HEXAGON SCREW	16			M12X30		
200	0750.116.255		BALL BEARING	2			45,000X75,000X16,000		
220	0630.502.037		RETAINING RING	2			75X2,5		
240	0630.501.033		RETAINING RING	2			45X1,75		
260	0734.309.419		CASSETTE RING	2			53,2-78-13		
270	4472.353.040		RETAINING RING	2					
280	0501.008.703		D.UNIVERS.SHAFT	2					
/10	0501.314.667		FORK HEAD	1					
/20	0501.322.442		JOINT FORK	1					
/30	0501.208.560		JOINT CROSS	2					
/40	0501.216.062		DOUBLE JOINT	1					
300	0734.309.423		CASSETTE RING	2		Z00028031510	150,15-178-13/16		
320	0750.117.635		TAPERED ROLLER BEARING	4			109,538X158,750X23,020		
350	4475.304.213		HEXAGON SCREW	16		Z00026667210	M10X1,5X45		
352	4475.304.230		BUSH	16					
450	0736.020.128		STOP SCREW	4			M14X1.5X50		
470	0637.006.092		HEXAGON NUT	4			M14X1,5		

Plant

Page 1 from 1

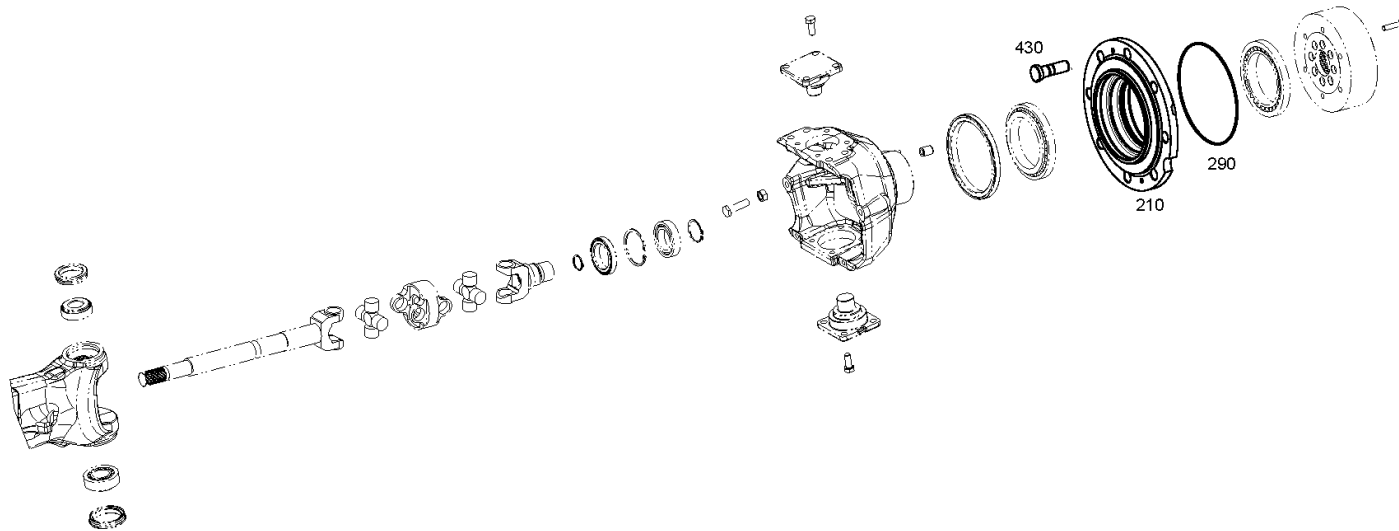
Material number: 4475.004.095

Plant: 447510346700

Material-assembly-group-no: 4475.103.467



MS-B 3025 /
JOINT HOUSING



Parts list

Page 1 from 1



MS-B 3025 /

Material number: 4475.004.095

Plant: 447510346700

Material-assembly-group-no: 4475.103.467

Pos.	Material number	Customer material	Name	Quantity	ME	Amend. no.	Techn. Info.	Rep kit	Alternative material
210	4475.304.223		HUB	2		Z00013427210			
290	0634.303.229		O-RING	2			200X3		
430	4472.336.280		WHEEL STUD	16		Z00007659910	M22X1,5x75		

Plant

Page 1 from 1

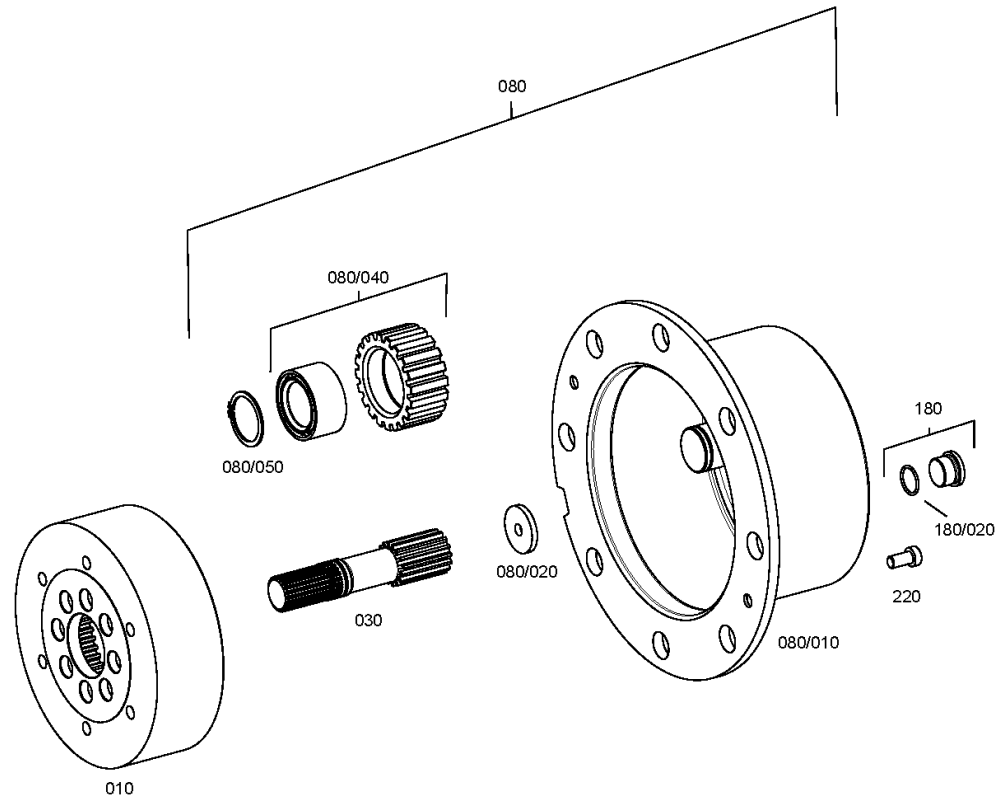
Material number: 4475.004.095

Plant: 447510409700

Material-assembly-group-no: 4475.104.097



MS-B 3025 /
PLANETARY DRIVE



Parts list

Page 1 from 1



MS-B 3025 /

Material number: 4475.004.095

Plant: 447510409700

Material-assembly-group-no: 4475.104.097

Pos.	Material number	Customer material	Name	Quantity	ME	Amend. no.	Techn. Info.	Rep kit	Alternative material
10	4475.304.188		RING GEAR	2			Z=98		
30	4475.305.631		SUN GEAR SHAFT	2		Z00023670710	Z=16*Z=22		
80	4475.204.052		PLANET CARRIER	2		Z00023670710	MT-L 3020 II/P3-192-37		
/10	4475.305.587		PLANET CARRIER	1			D-Teil		
/20	4475.319.254		THRUST WASHER	1					
/40	4475.298.062		PLANETARY GEAR	3					
/40	4475.304.211		PLANETARY GEAR				z=39 D-Teil		4475.298.062
/50	0630.501.030		RETAINING RING	3			38X1,75		
180	4475.280.099		SCREW PLUG	2					
/20	0634.303.266		O-RING	1			21X2		
220	0636.102.041		CAP SCREW	4			M10X20		

Plant

Page 1 from 1

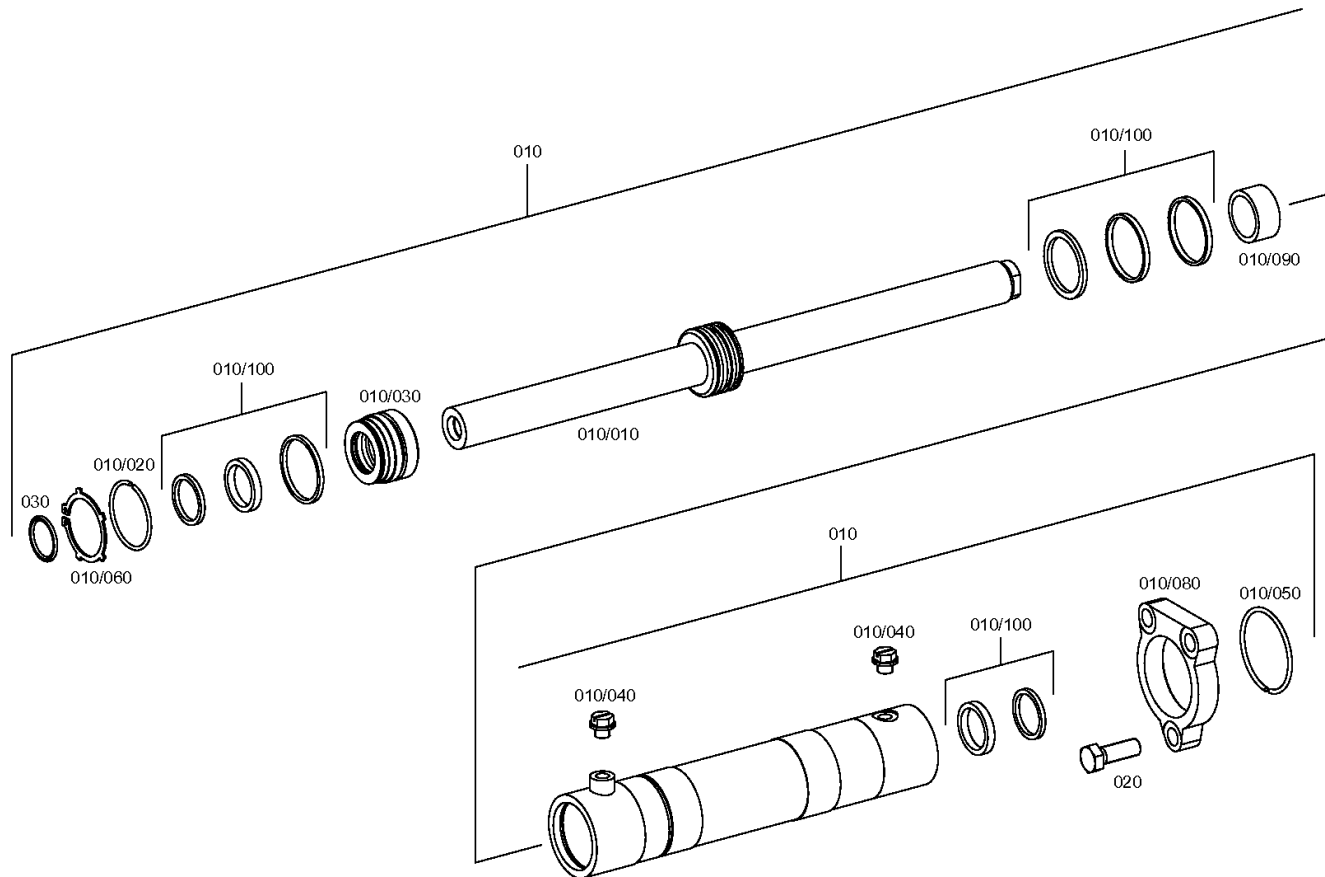
Material number: 4475.004.095

Plant: 447510508500

Material-assembly-group-no: 4475.105.085



MS-B 3025 /
STEERING



Parts list

Page 1 from 1



MS-B 3025 /

Material number: 4475.004.095

Plant: 447510508500

Material-assembly-group-no: 4475.105.085

Pos.	Material number	Customer material	Name	Quantity	ME	Amend. no.	Techn. Info.	Rep kit	Alternative material
10	0501.214.942		STEERING CYLINDER	1					
/10	0501.322.452		PISTON ROD	1					
/20	0501.322.451		SICH.RING	1					
/30	0501.322.450		PLUG	1					
/40	0501.322.449		PLUG	2					
/50	0501.322.448		RING	1					
/60	0501.322.447		RING	2					
/80	0501.322.445		FLANGE	1					
/90	0501.322.444		SPACER	1					
/100	0501.298.524		REPAIR KIT	1					
20	0636.016.086		HEXAGON SCREW	3			M16X45		
30	0634.306.328		O-RING	1		Z00018933310	38X4		