





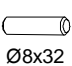
Ax14 

Bx14 

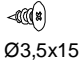
Cx4   
7x50

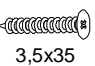
Dx6   
M4x10

Ex3   
M4x22

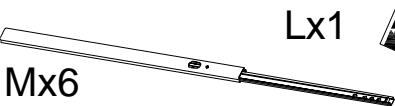
Fx32   
Ø8x32

Gx3 


Hx28   
Ø3,5x15

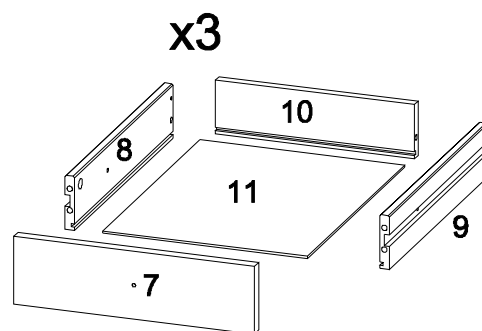
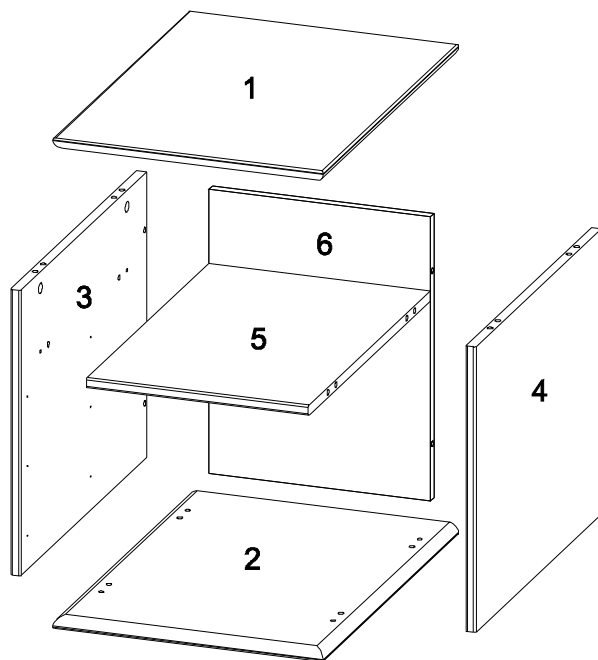
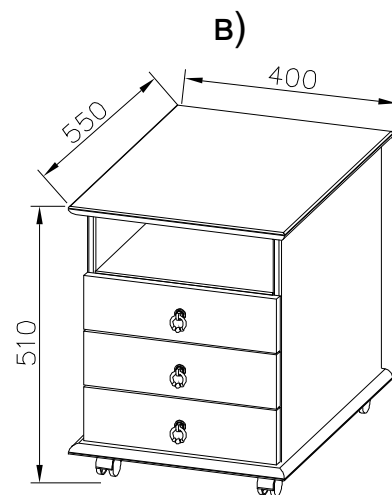
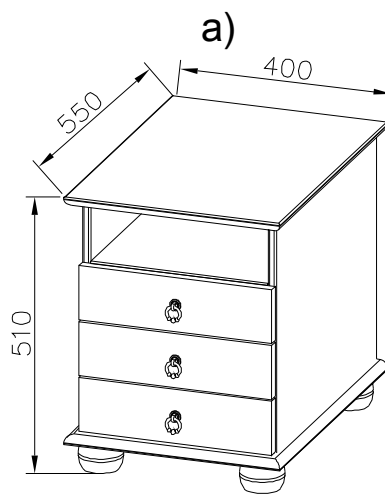
Jx6   
3,5x35

Kx1   
SW 4

Mx6 

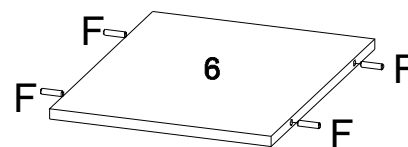
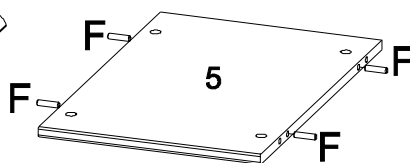
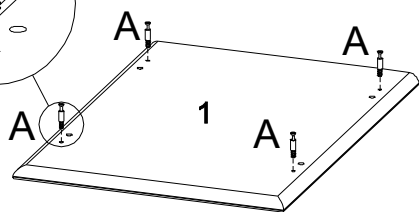
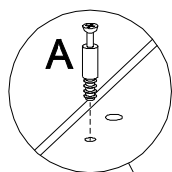
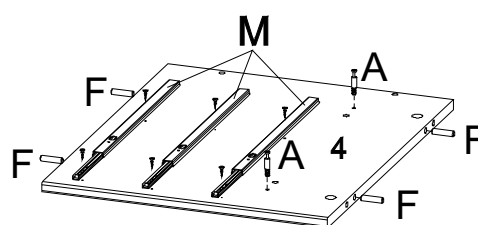
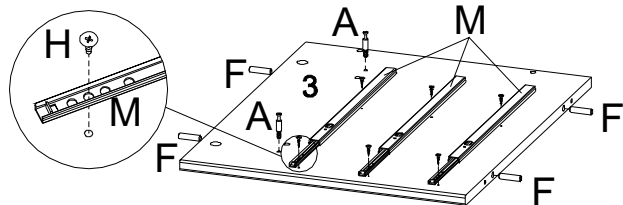
Lx1 

Nx4 

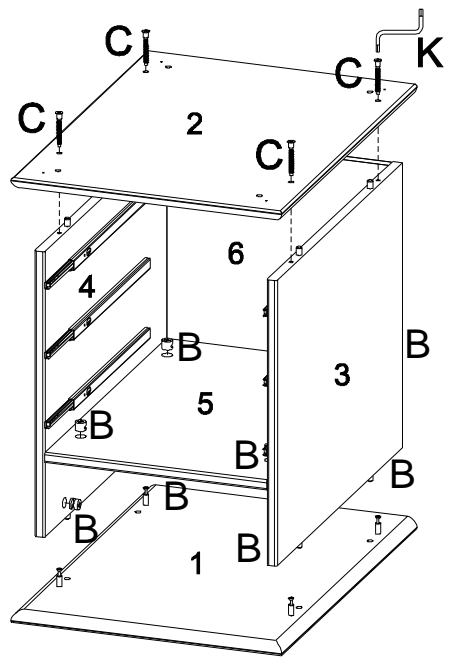


 x4  
12

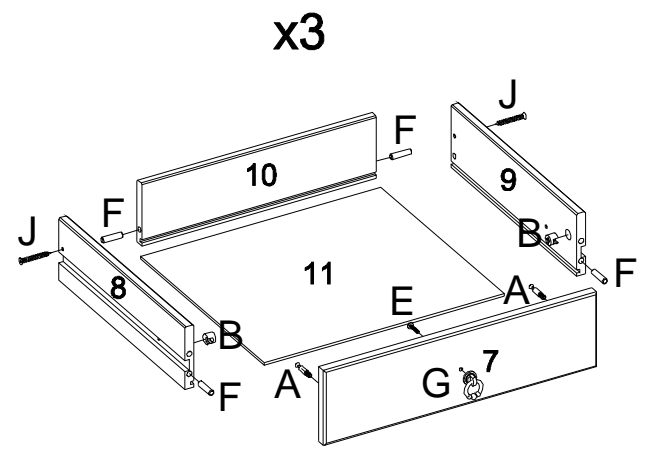
1



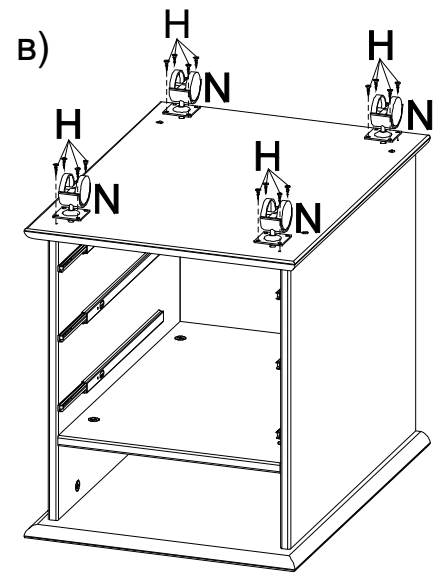
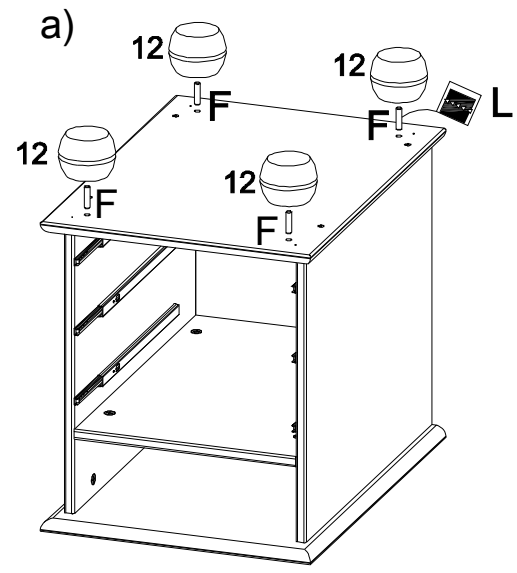
2



3



4



5

