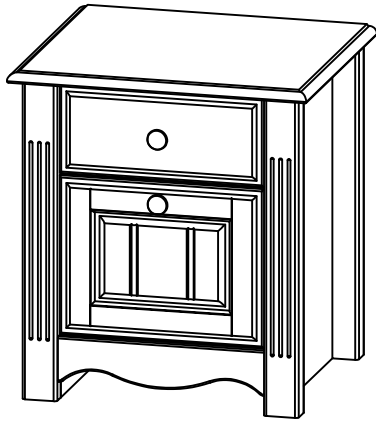
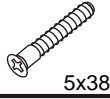


11(12) 494



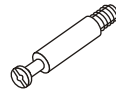
A = 12 x



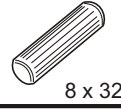
B = 18 x



C = 18 x



D = 16 x



E = 2 x



F = 8 x



G = 2 x



H = 2 x



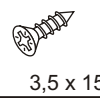
I = 2 x



J = 2 x



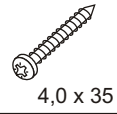
K = 8 x



L = 5 x



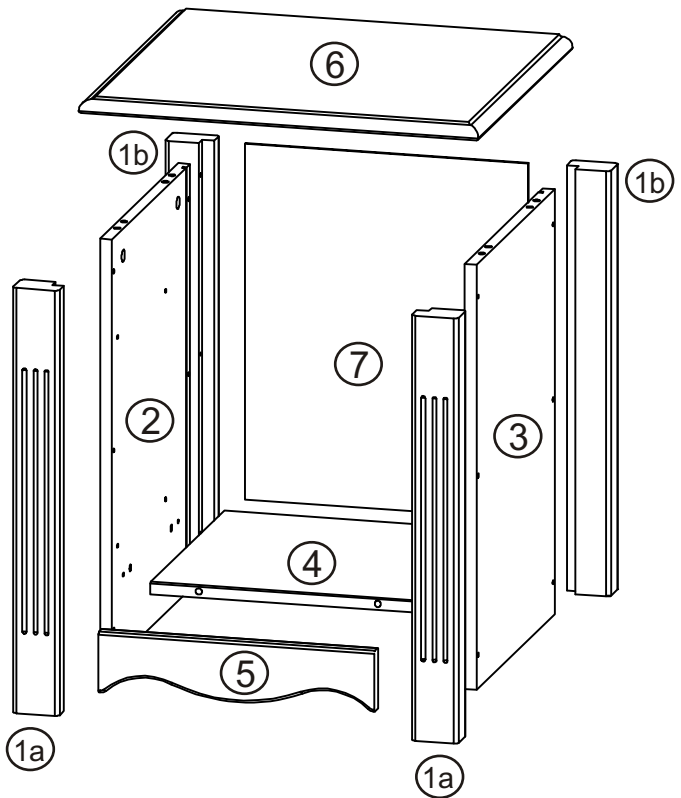
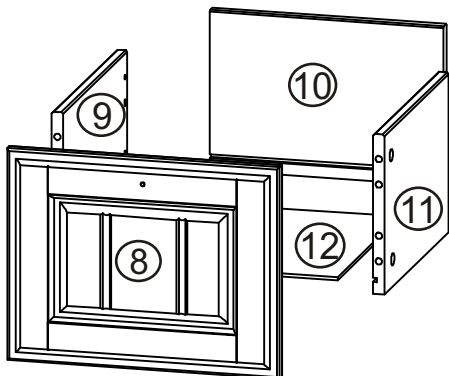
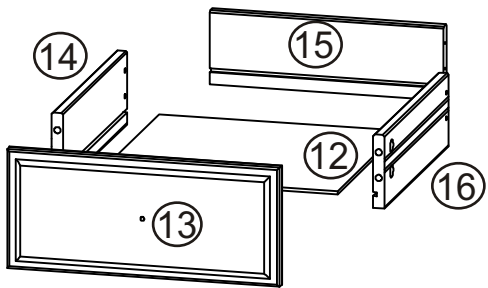
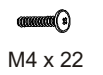
M = 10 x



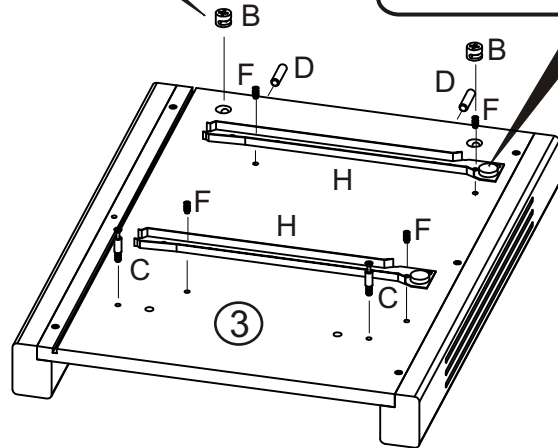
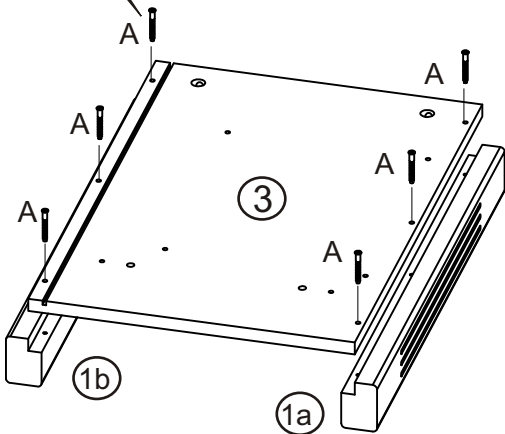
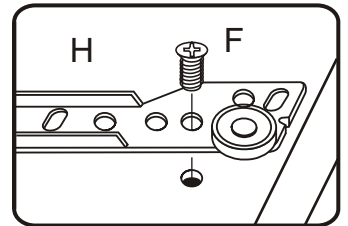
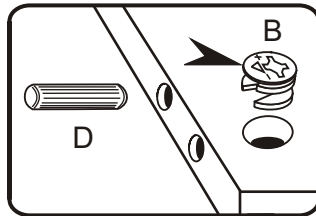
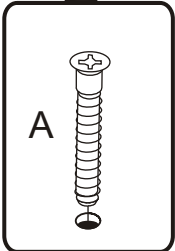
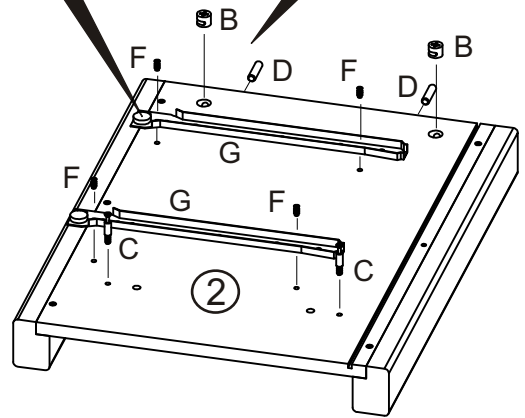
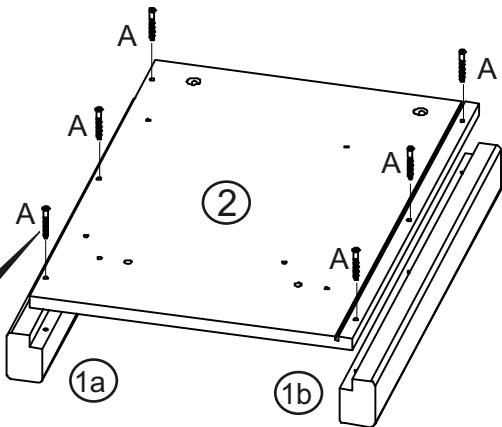
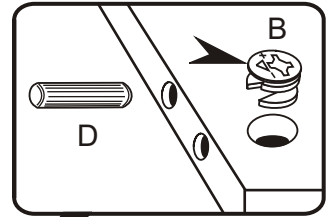
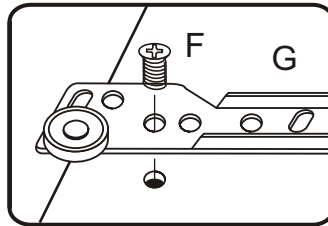
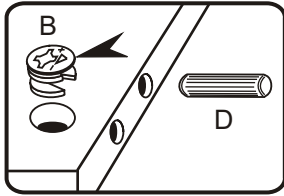
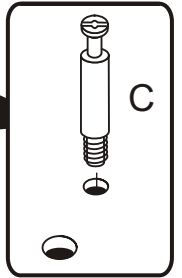
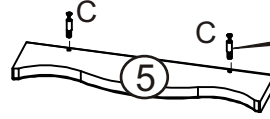
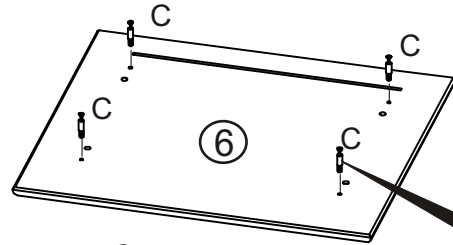
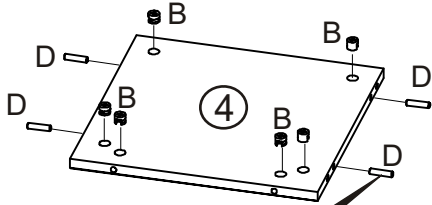
N = 2 x



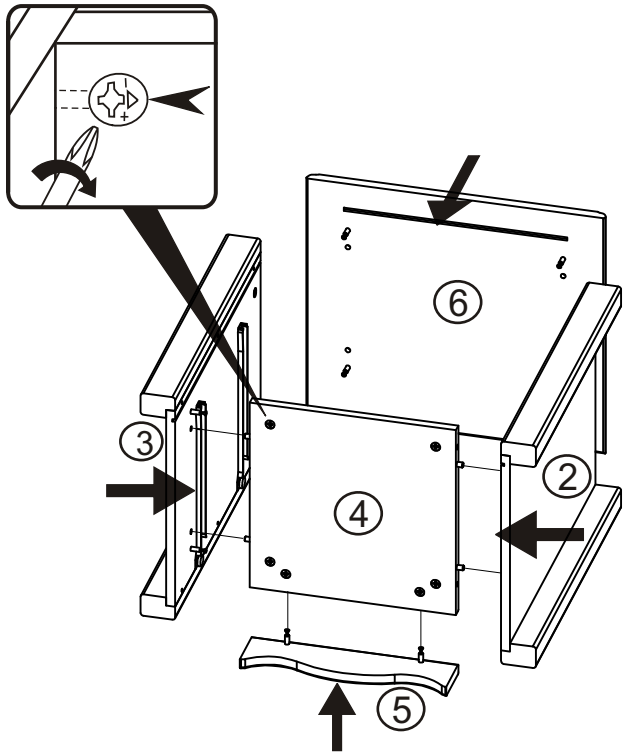
P = 2 x



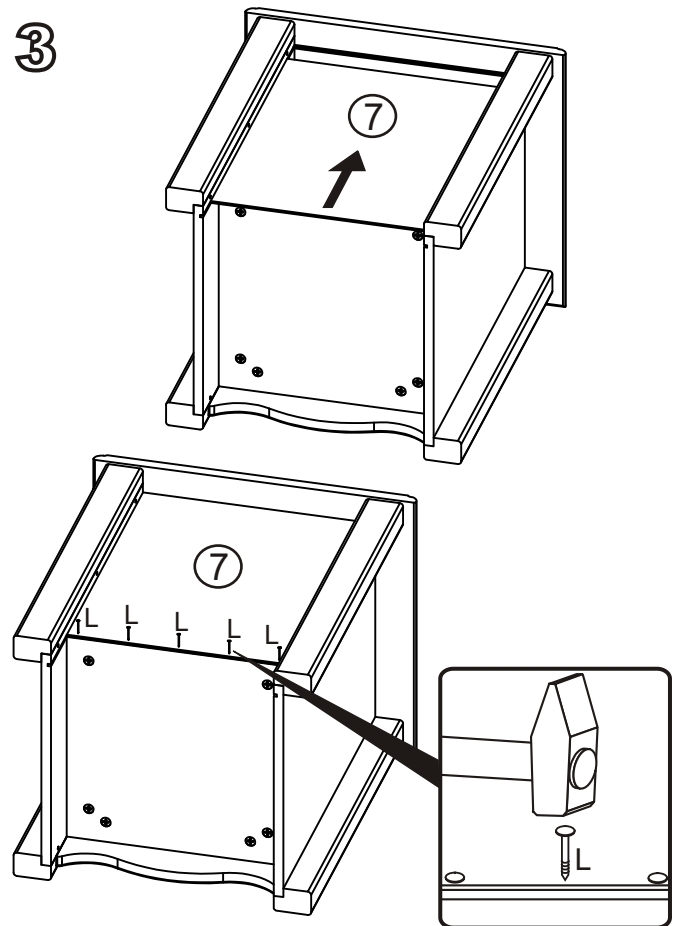
1



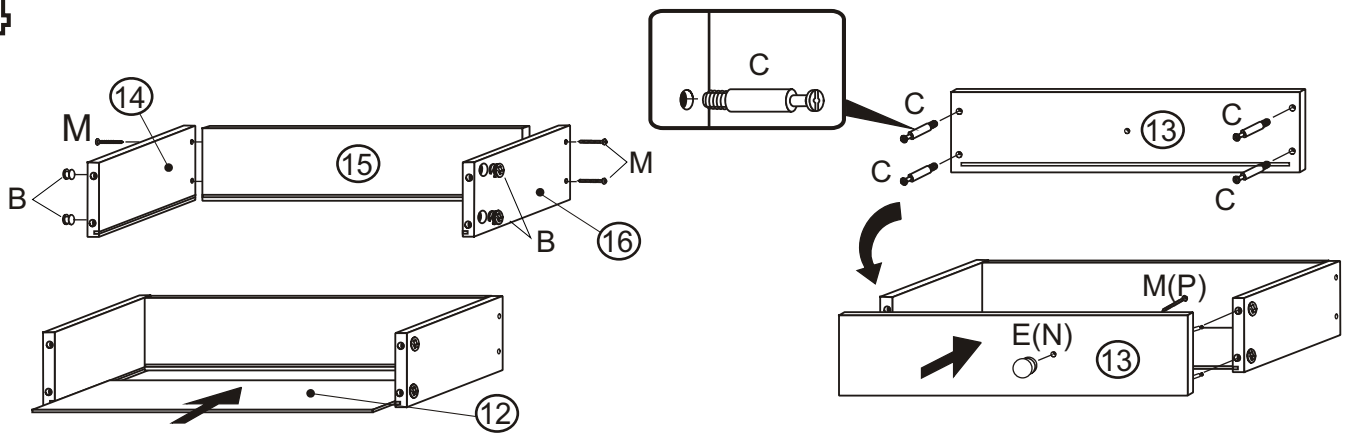
2



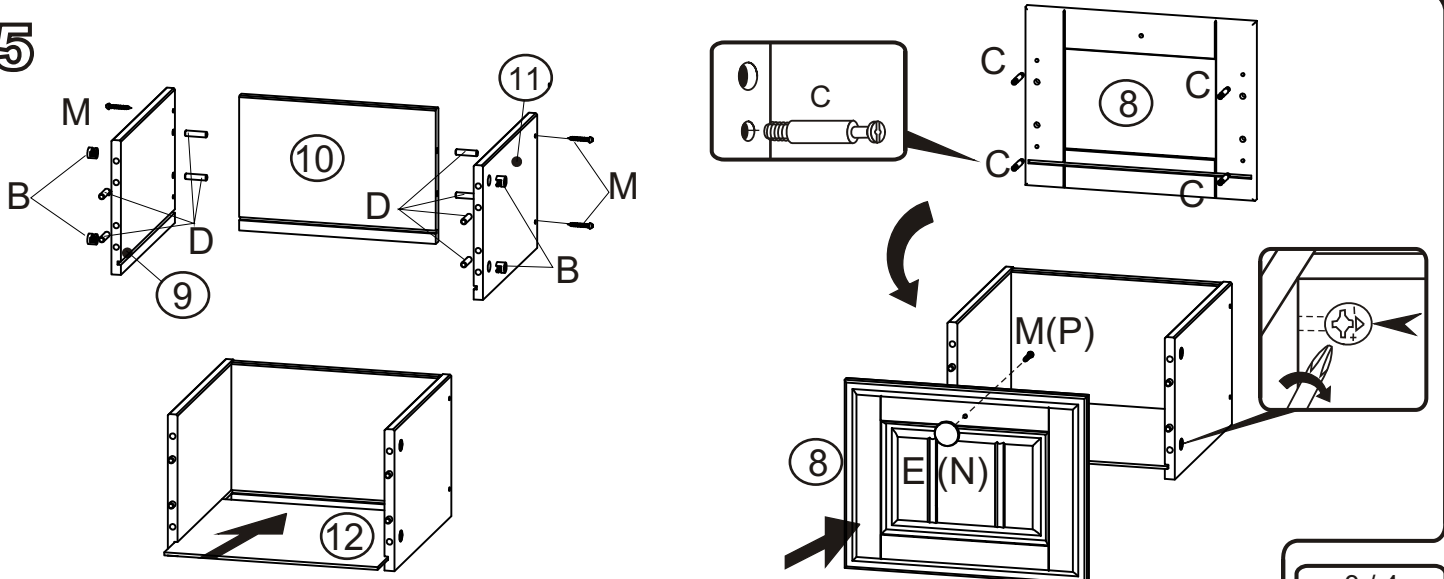
3



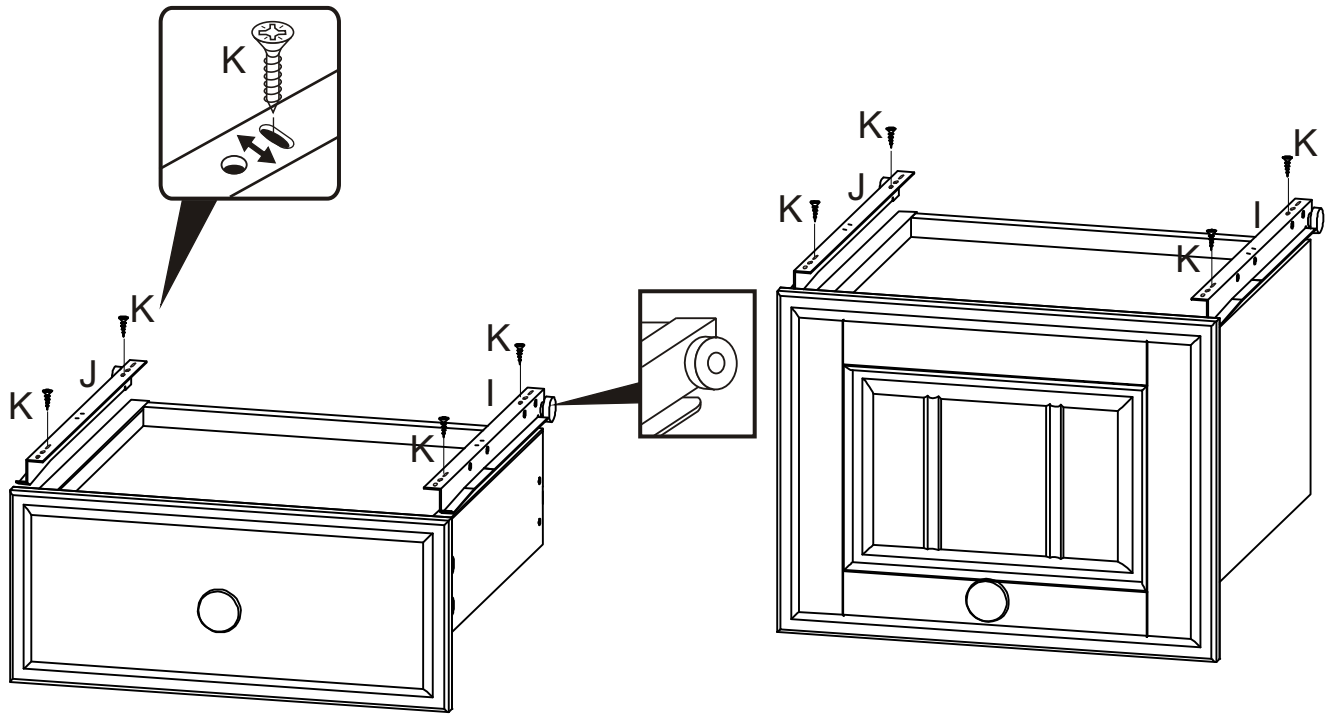
4



5



6



7

