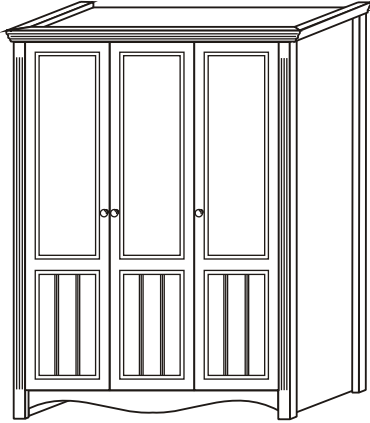
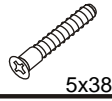


11(12)489



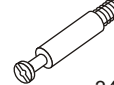
A = 24 x



B = 8 x



C = 8 x



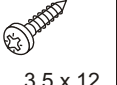
D = 12 x



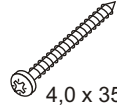
E = 8 x



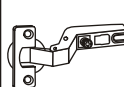
F = 9 x



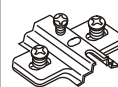
G = 2 x



H = 6 x



I = 9 x



J = 36 x



K = 2 x



L = 2 x



M = 1 x



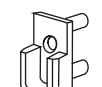
N = 6 x



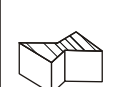
O = 20 x



P = 4 x



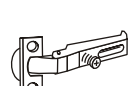
Q = 2 x



R = 7 x



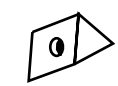
S = 3 x



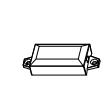
T = 8 x



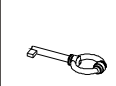
U = 8 x



V = 2 x



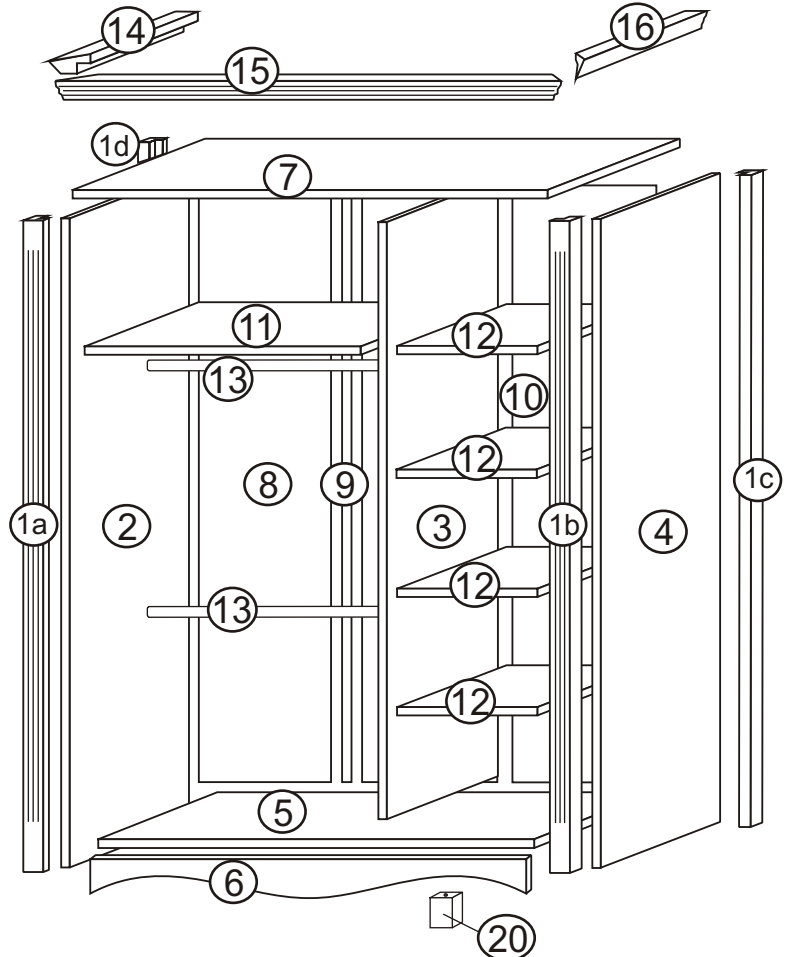
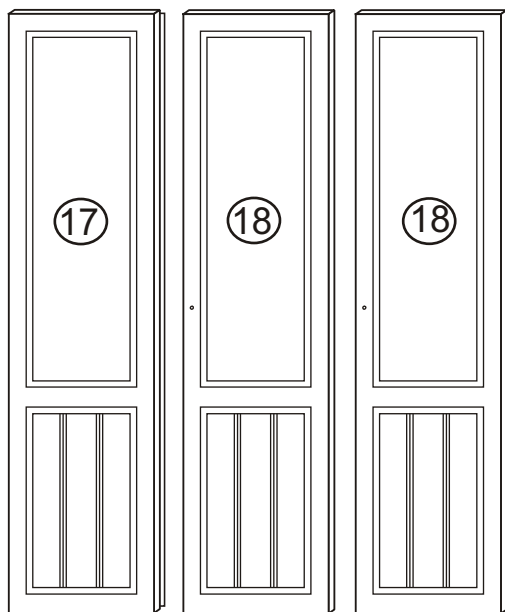
V1 = 2 x



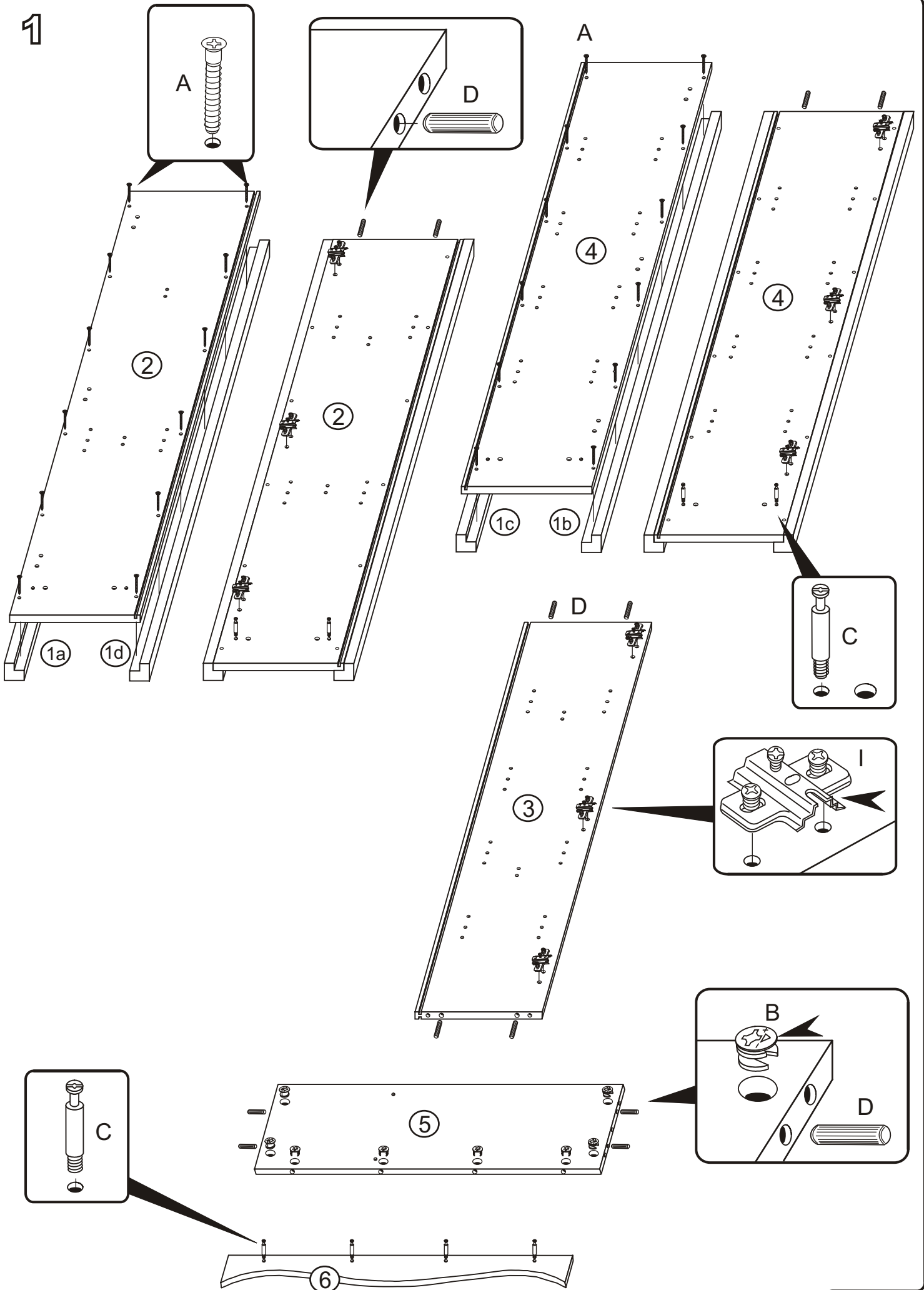
W = 3 x

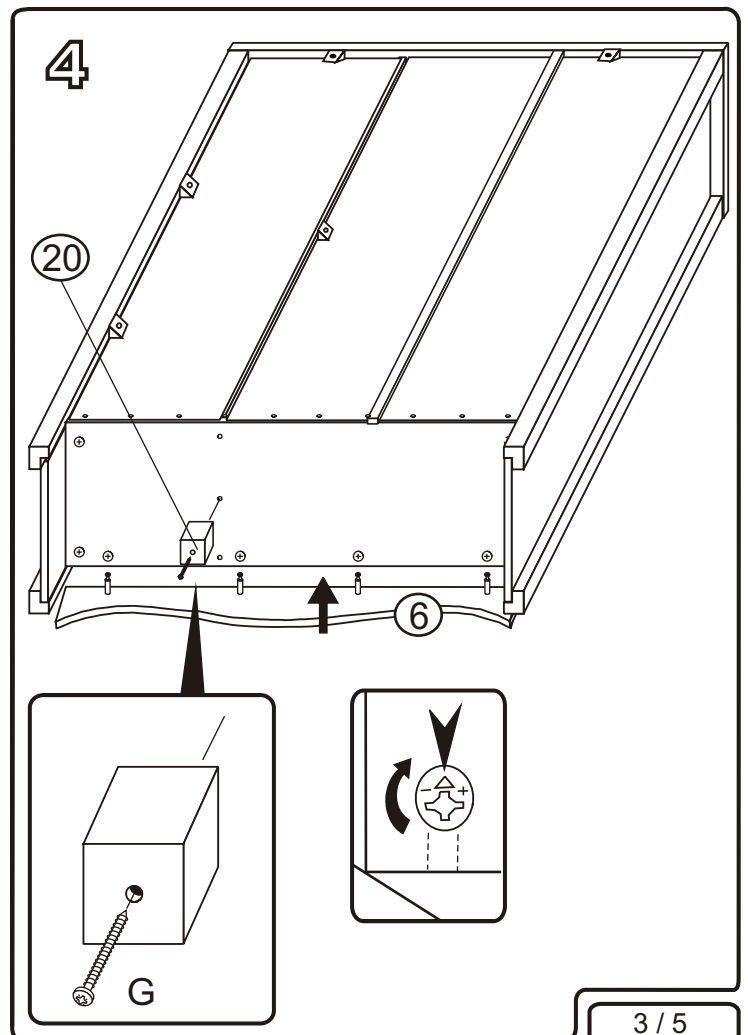
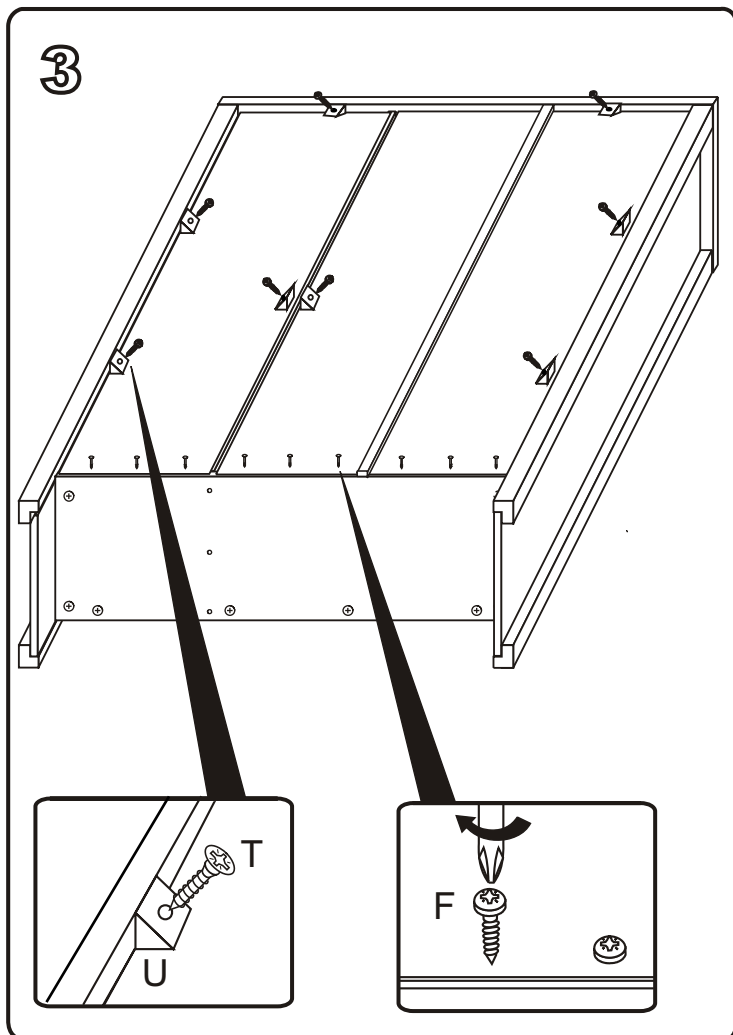
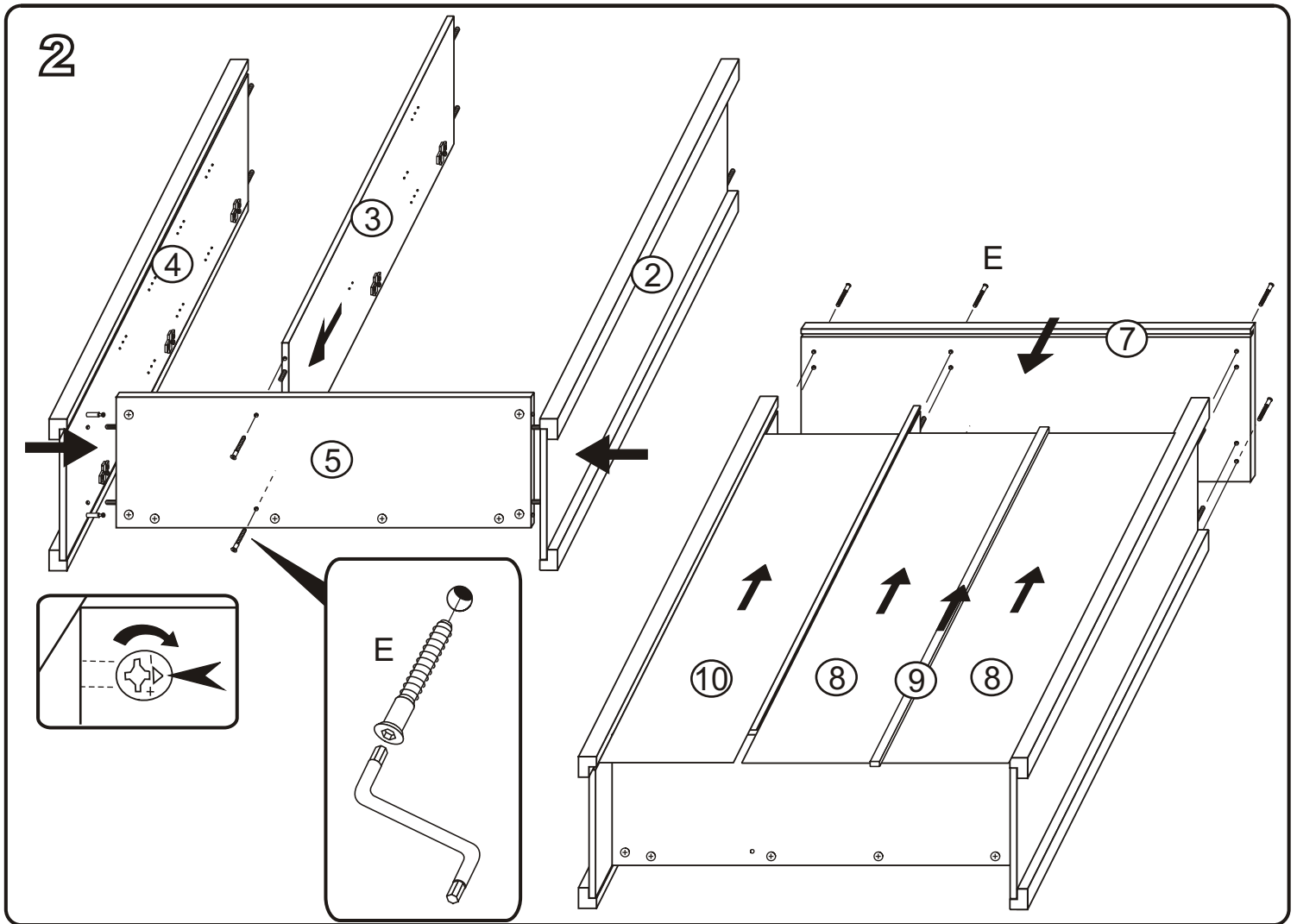


W1 = 6 x

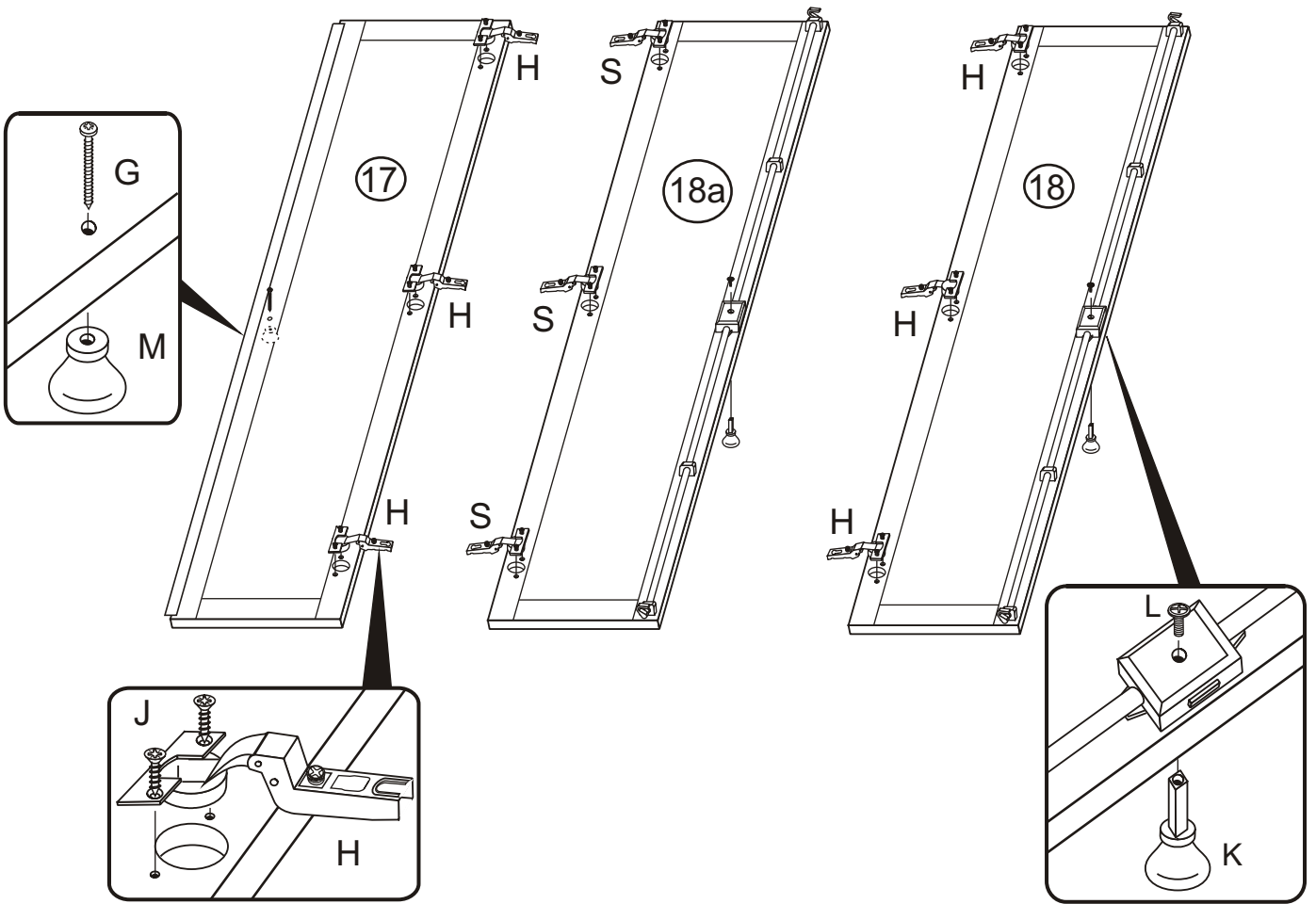


1

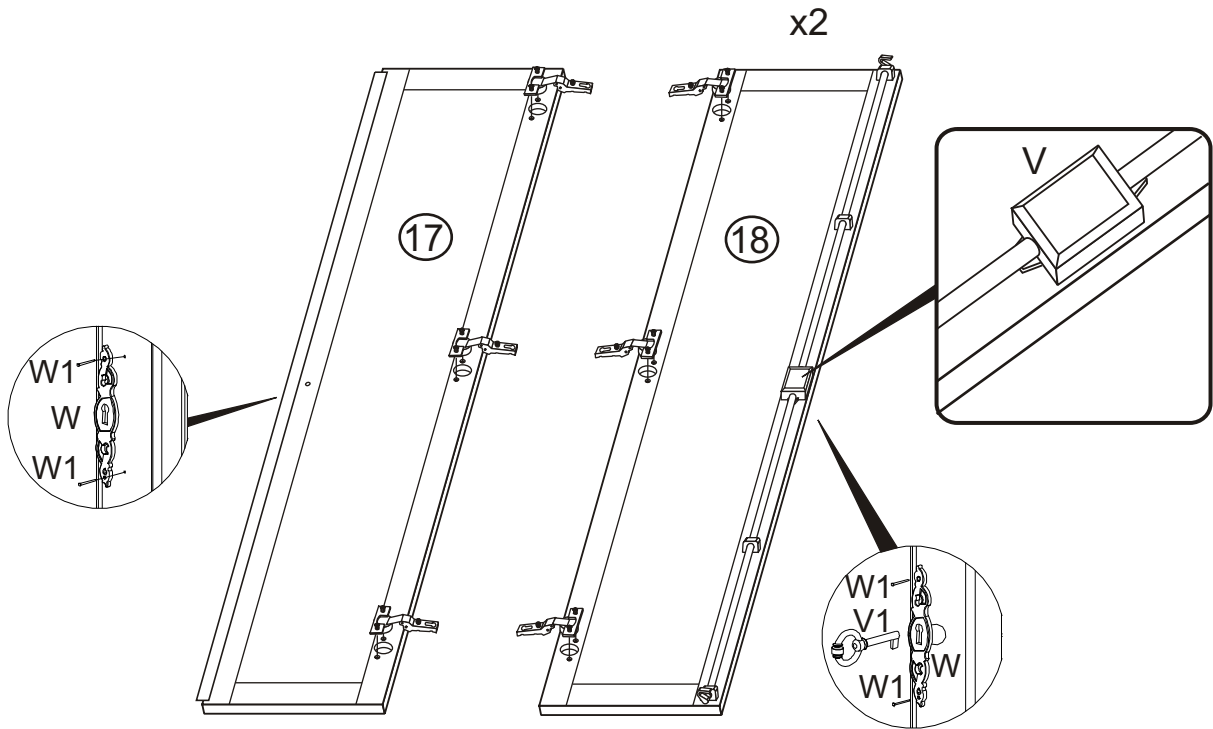




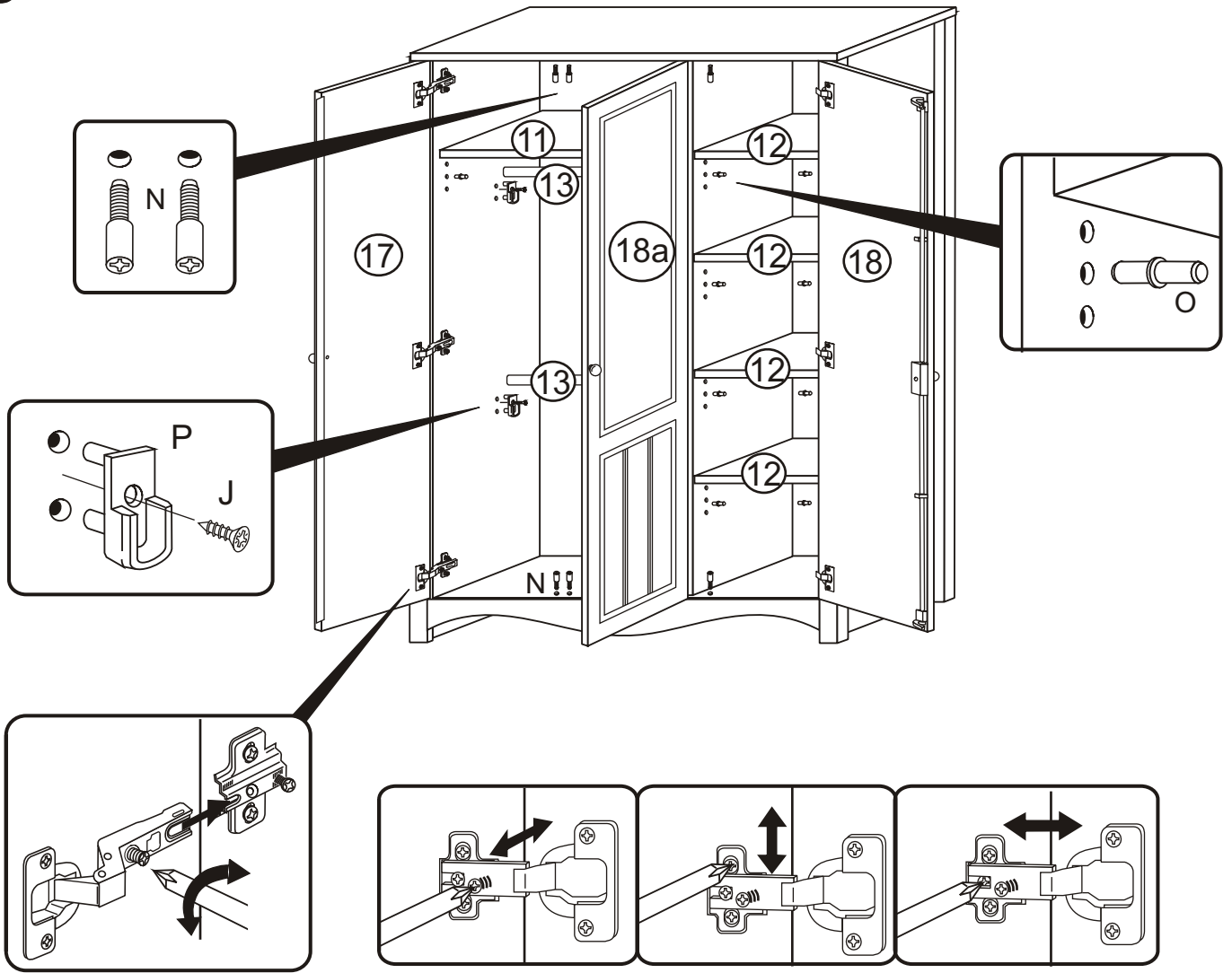
5



5A



6



7

