

Revision and History

Part No.: DCM09-2325V202T

Product code: TBD

Page: 1/4

Rev.	Date	Revision Description	Checked	Approved
A1	Mar/05/2020	Initial release.	Louise Liu	Cason Chen

CHIKARA
CHIKARA
CHIKARA

Spec Sheet

Part No.: DCM09-2325V202T

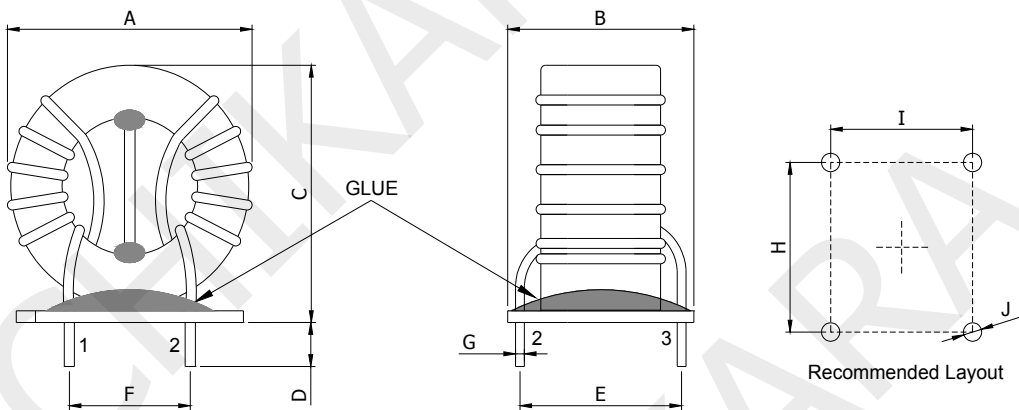
Product code: TBD

Page: 2/4

Features

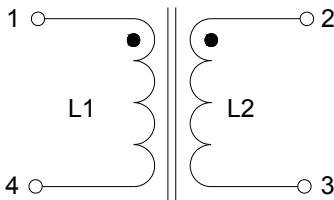
- Suppression of common-mode interferences
- Switch-mode applications
- Storage temperature range:-25°C to +60°C
- Operating temperature range:-40°C to +125°C (including coil's self-temperature rise)
- Moisture sensitivity level:1
- RoHs&Halogen-free compliant

Mechanical Dimension(Unit:mm)



A	B	C	D	E	F	G	H	I	J
23.0Max.	17.0Max.	25.0Max.	5.0±0.5	10.7±0.5	7.5±0.5	Φ1.0Typ.	10.7	7.5	Φ1.3

Electrical Schematic



Part Number Description

DCM09 - 2325 V 202 T

①

②

③

④

⑤

- ① Type
- ② Dimensions
- ③ Vertical type
- ④ Inductance value
- ⑤ Tolerance code

Electrical Characteristic

Inductance (mH)	DCR (mΩ)Max.	Rated Current (A)Max.	Rated Voltage Max.	Hi-Pot (Coil - Coil)
2.0±50%	6.0	10	250V AC (50/60 Hz)	1500V AC 5mA/2S

- All test data referenced to 25°C ambient.
- Test frequency and voltage:10KHz,0.1Vrms.
- Rated current:The AC current at which the temperature rise is Δt of 45°C.

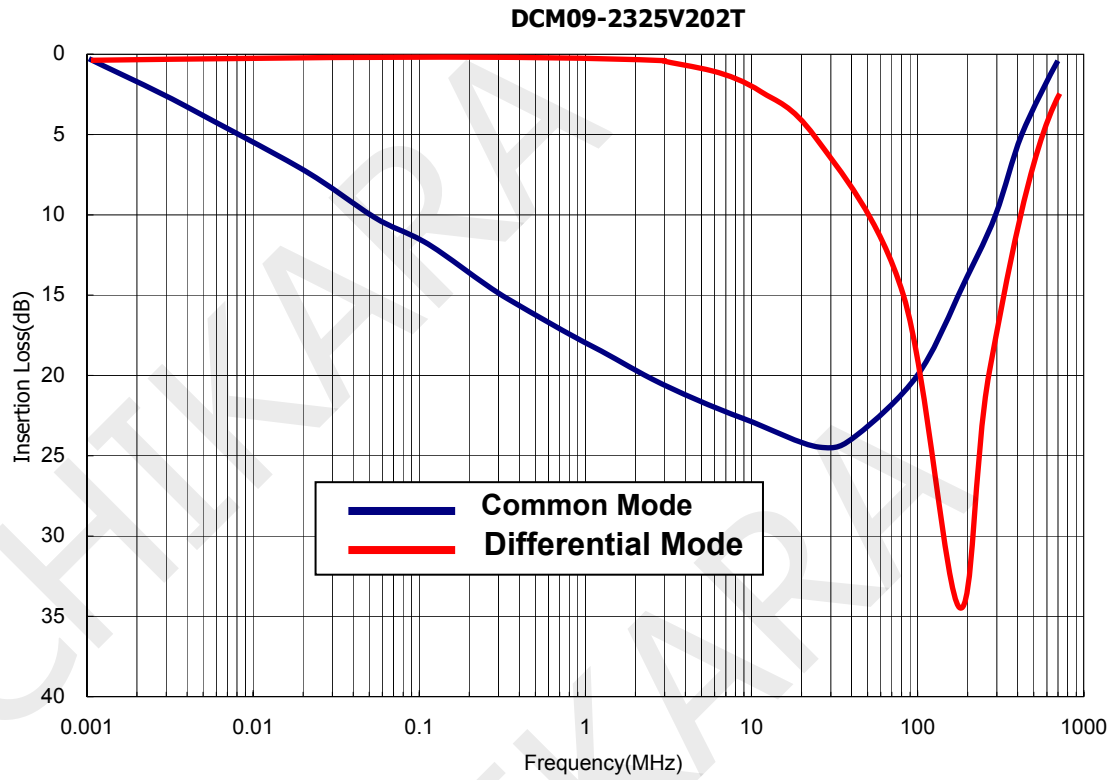
Spec Sheet

Part No.: DCM09-2325V202T

Product code: TBD

Page: 3/4

Characteristic Curve(Typical value)



Spec Sheet

Part No.: DCM09-2325V202T

Product code: TBD

Page: 4/4

Material List

No.	Materials	Description	Suppliers	UL No.
1	Core	Nanocrystalline	Zhuhai gerun xinna electronic Co., Ltd. or Equivalent	/
2	Wire	2UEW 155°C	PACIFIC Electric Wire&Cable(Shenzhen) Co.,Ltd. or Equivalent	E201757
3	Base	FR4	Kingboard Laminates Holdings Co., Ltd. or Equivalent	E123995
4	Tin	Lead-free Sn99.9	Dongguan Thousand Island Metal Foil Co.,Ltd. or Equivalent	/
5	Glue	Epoxy	GUDAK Chemistry Tech(Dongguan)Co.,Ltd. or Equivalent	/
6	Spacer	FR4	Kingboard Laminates Holdings Co., Ltd. or Equivalent	E123995