

**ebm-papst Mulfingen GmbH & Co. KG**

Bachmühle 2

D-74673 Mulfingen

Phone +49 7938 81-0

Fax +49 7938 81-110

info1@de.ebmpapst.com

www.ebmpapst.com

Nominal data

Type	R6E310-AJ04-01		
Motor	M6E068-EC		
Phase		1~	1~
Nominal voltage	VAC	230	230
Frequency	Hz	50	60
Type of data definition		rfa	rfa
Valid for approval / standard		CE	CE
Speed	min ⁻¹	920	1070
Power input	W	48	60
Current draw	A	0.22	0.27
Motor capacitor	µF	1.5	1.5
Capacitor voltage	VDB	450	450
Capacitor standard		P0 (CE)	P0 (CE)
Min. back pressure	Pa	0	0
Max. ambient temperature	°C	75	75

ml = max. load · me = max. efficiency · rfa = running at free air · cs = customer specs · cu = customer unit
Subject to alterations

Technical features

Leakage current	< 0.75 mA
General description	3D impeller
Size	310 mm
Operation mode	Continuous operation (S1)
Direction of rotation	Clockwise, seen on rotor
Humidity class	F1-2
Insulation class	"B"
Cable exit	Axial
Motor bearing	Ball bearing
Mass	3.4 kg
Material of electronics housing	Rotor: Coated in black
Material of impeller	Aluminum sheet, laser-welded
Motor protection	Thermal overload protector (TOP) wired internally
Product conforming to standard	CE
Number of blades	6
Type of protection	IP 44
Protection class	I
Approval	CCC

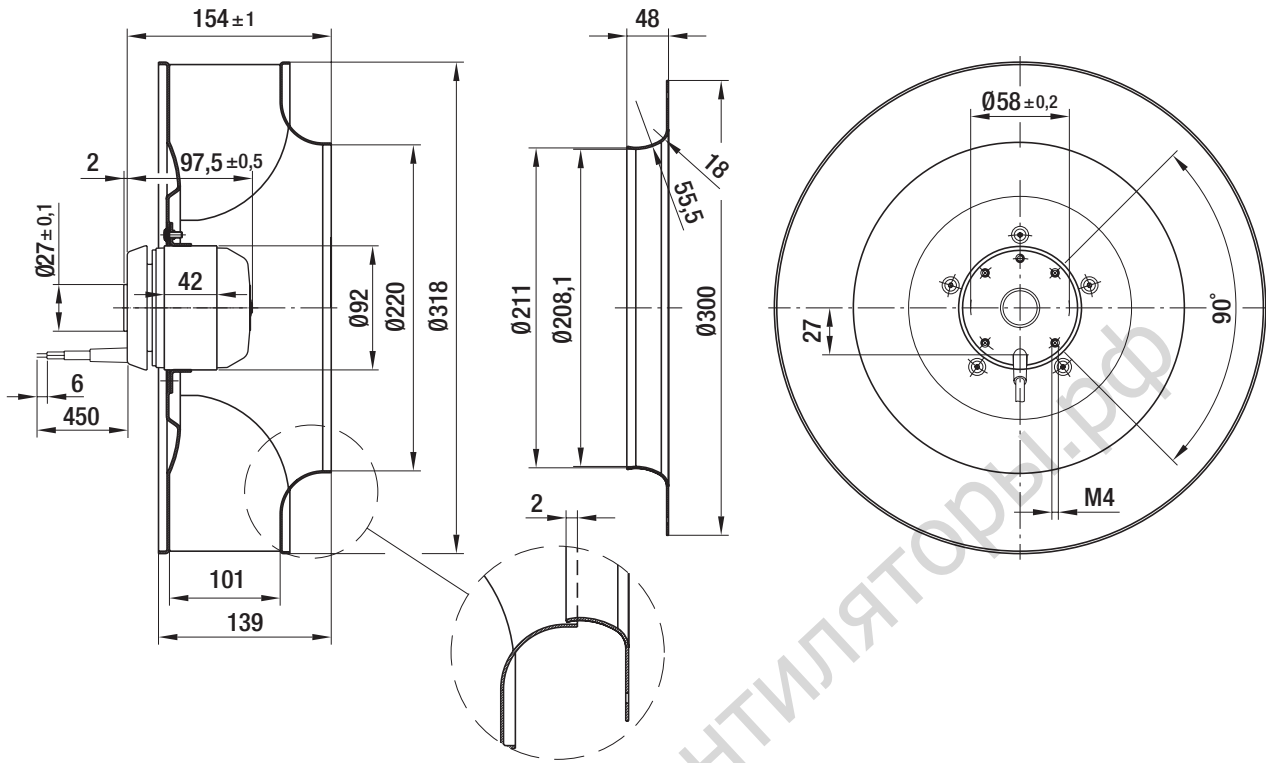
<https://все-вентиляторы.рф>

AC centrifugal fan

backward curved, single inlet

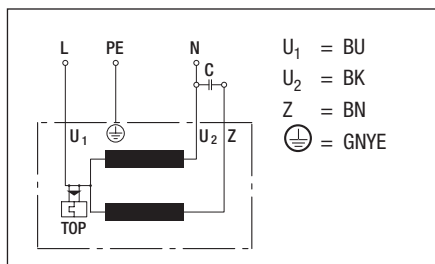


Product drawing



<https://все-вентиляторы.рф>

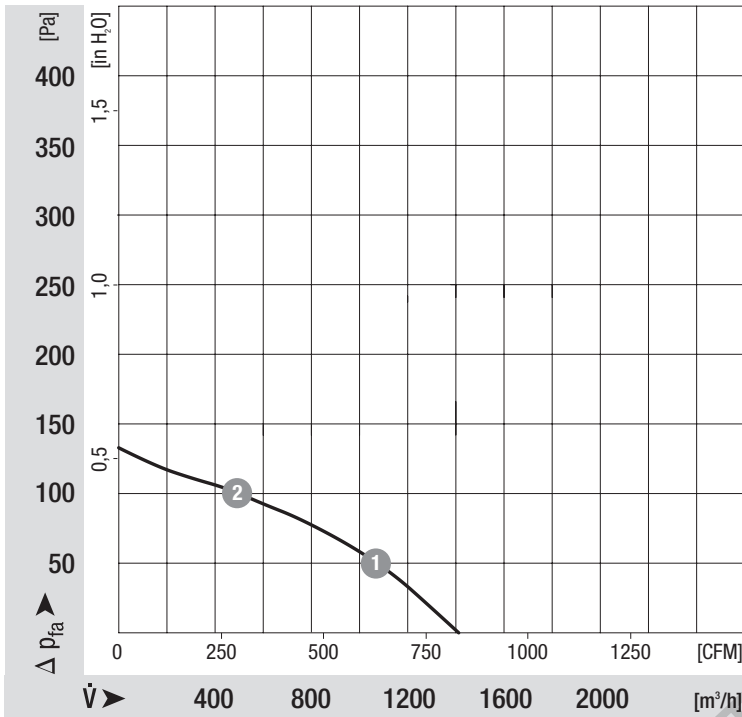
Connection screen



<https://все-вентиляторы.рф>



Charts: Air flow 50 Hz

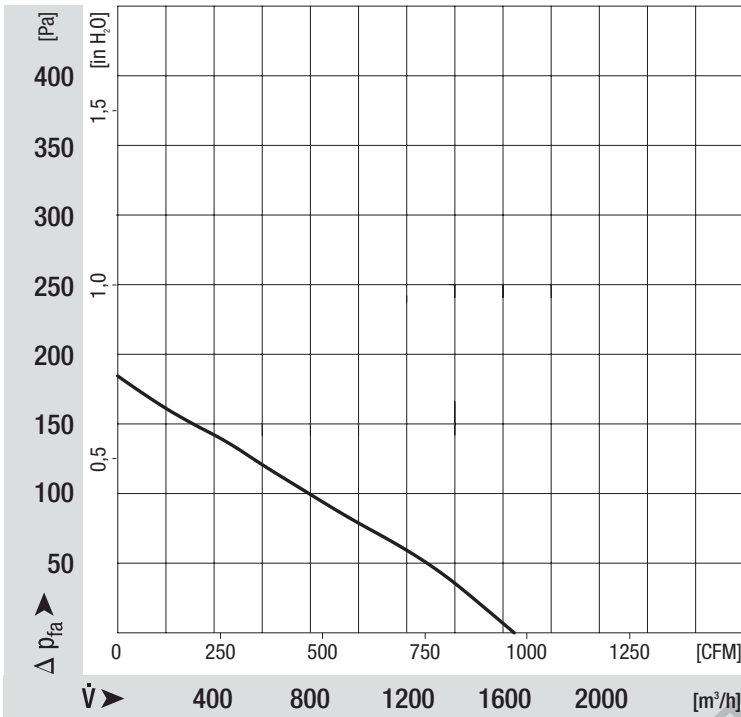


Measured values

	n	P _e	I
	min ⁻¹	W	A
1	885	53	0.24
2	900	51	0.23



Charts: Air flow 60 Hz



<https://все-вентиляторы.рф>